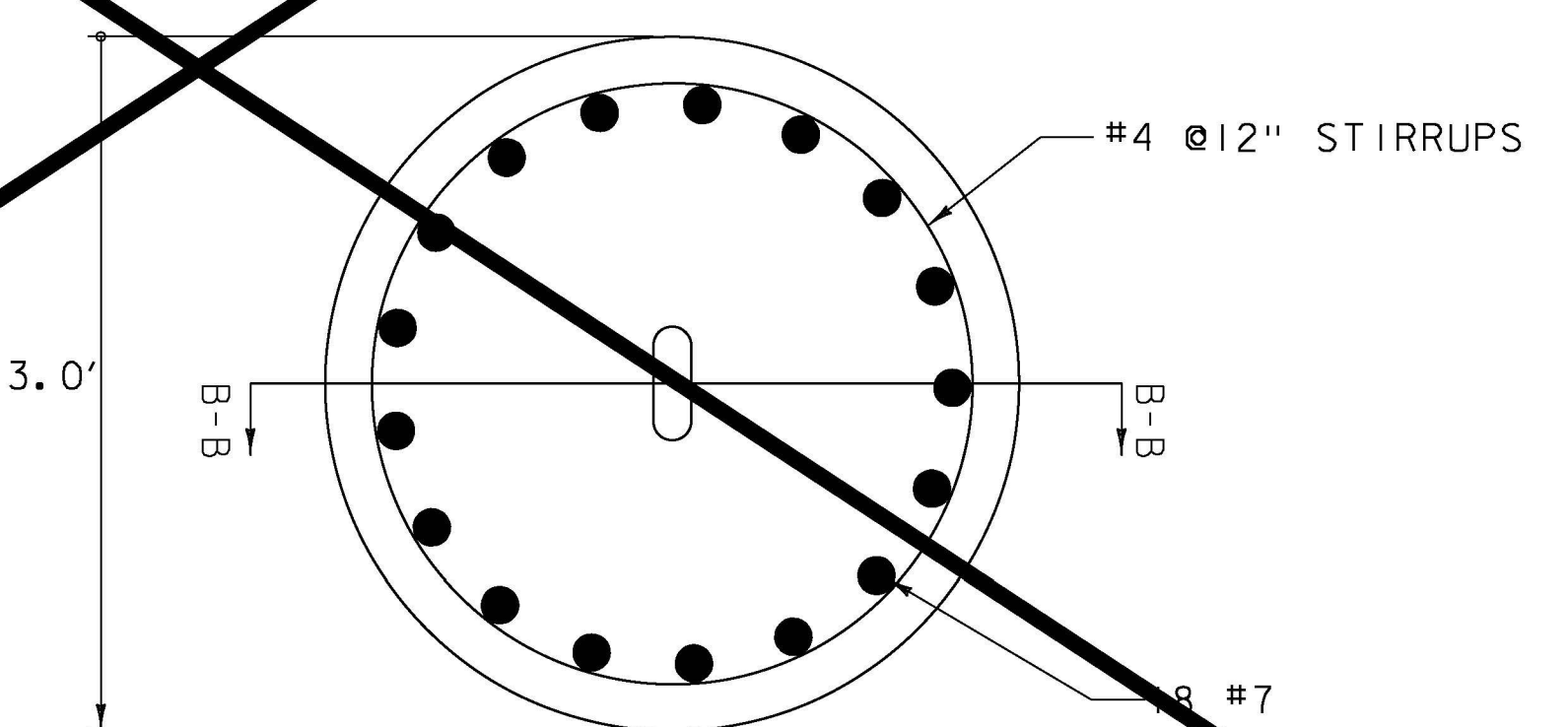
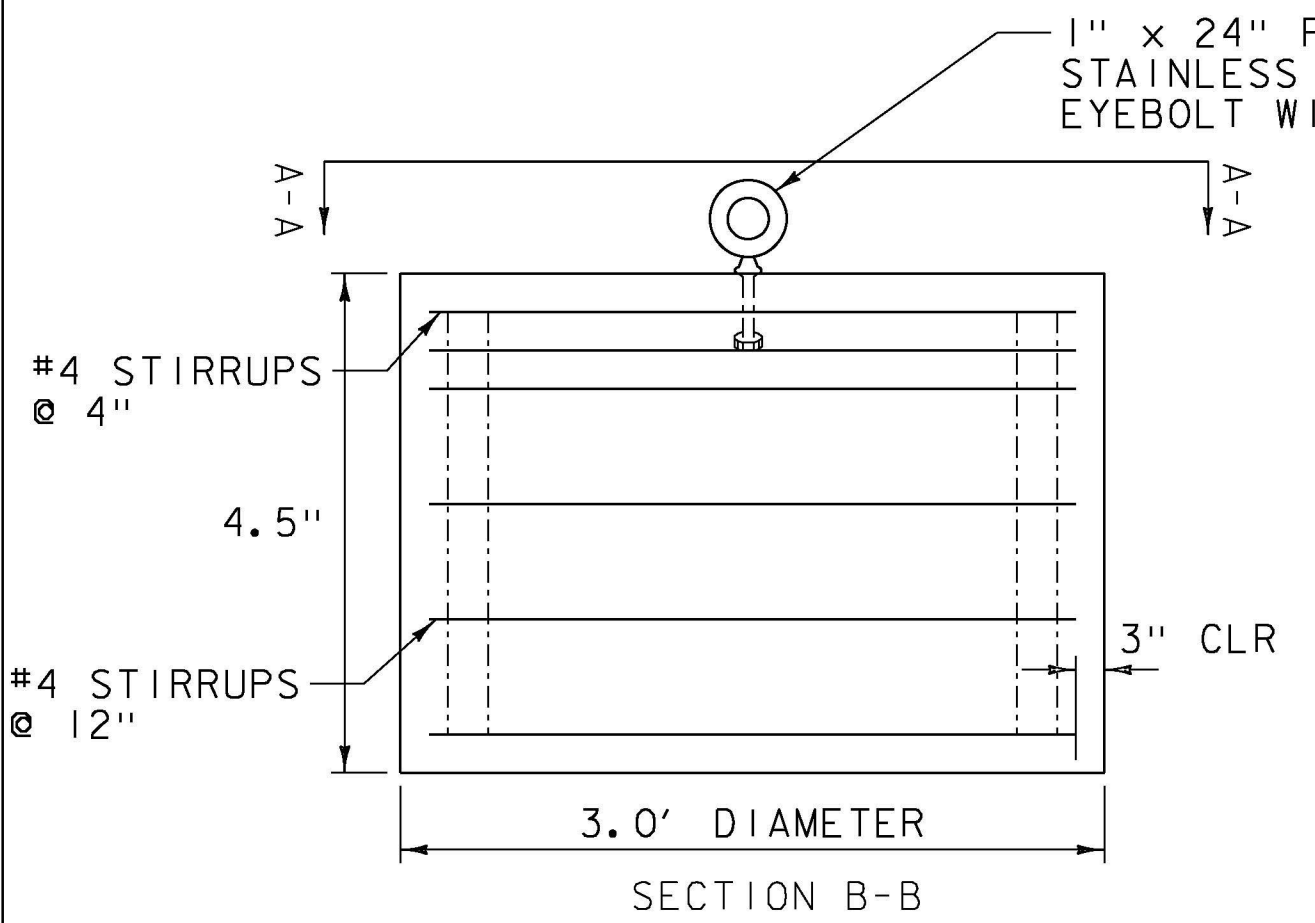


NOTE.  
 THREAD 1/2" DIAMETER STAINLESS STEEL WIRE ROPE THROUGH 5/8" DIAMETER HOLE IN 4" DIAMETER RIGID PIPE STANCHIONS LOCATED AT TOP OF RETAINING WALL AS WALL WARNING FENCE  
 PAINT 4" DIAMETER PIPE ORANGE.  
 CONTRACTOR TO DESIGN FALL ARREST SYSTEM CAPABLE OF SUPPORTING 5000 LB PER ANSI Z 359. WALL WARNING FENCE IS INCIDENTAL TO THE COST OF RETAINING WALL.



NOTES  
 ALL CONCRETE TO BE  $f'c = 3000$  PSI @ 28 DAY  
 ALL REINFORCING STEEL BARS TO BE ASTM A615 GRADE 60  
 ANCHOR POINTS TO BE SPACED AT 50' ON CENTER ALONG ENTIRE LENGTH OF WALL AND SET 2.25' FROM CENTER OF WALL WARNING FENCE



VERMONT AGENCY OF TRANSPORTATION

**URS**  
 URS CORPORATION  
 3 CORPORATE DRIVE, SUITE 203  
 CLIFTON PARK, NY 12065  
 (518) 688-0015

PROJECT NAME: RUTLAND SOUTHERN VERMONT REGIONAL AIRPORT  
 CLARENDON, VERMONT  
 PROJECT NUMBER: AV14-8018-300  
 FILE NAME: z07h124detail-wall.dgn PLOT DATE: 8/2/2013  
 PROJECT LEADER: F. WALSH DRAWN BY: M. KEMP  
 DESIGNED BY: G. D'AMICO CHECKED BY:  
 RETAINING WALL DETAILS SHEET 29 OF 36



AIP 3-50-0015-34

6/2/2013 P:\CADD\Consultants\z07h124detail-wall.dgn