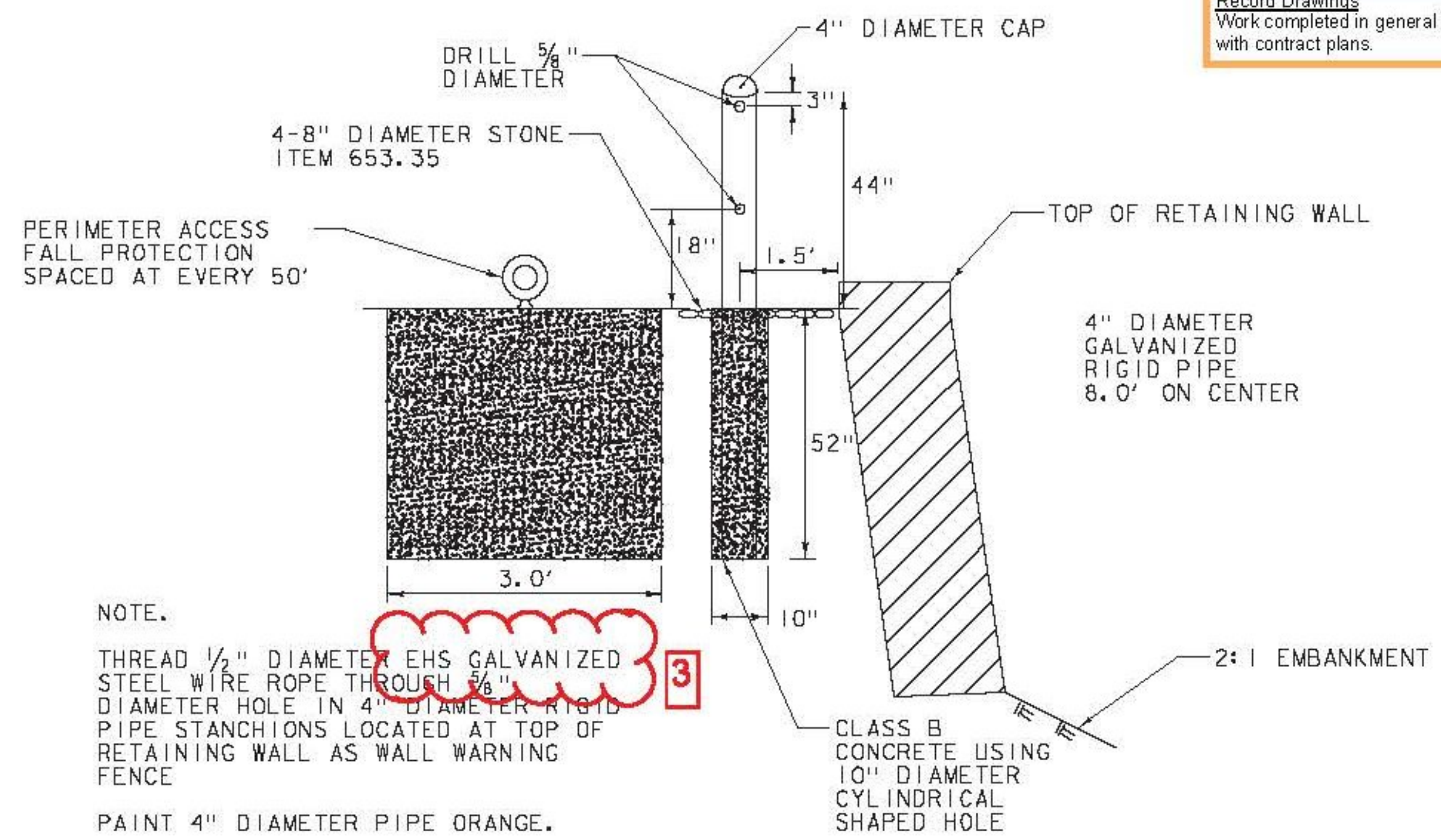
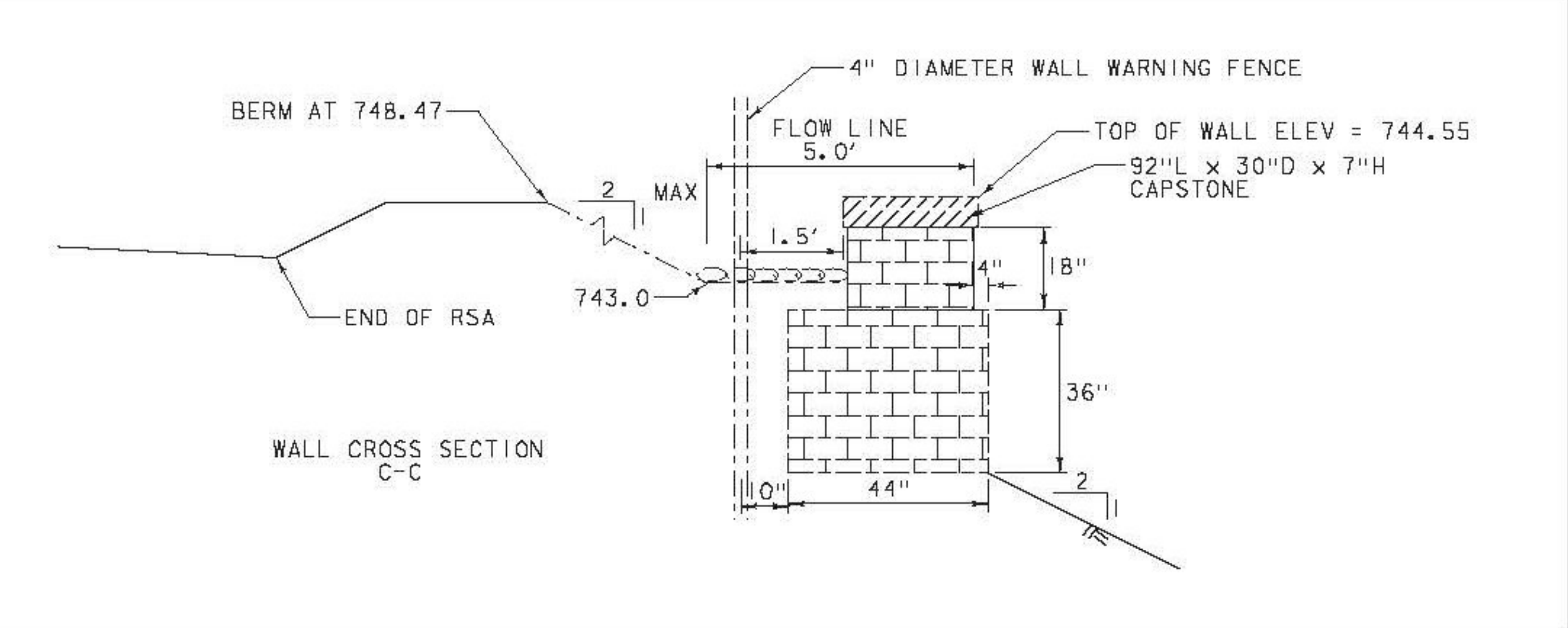
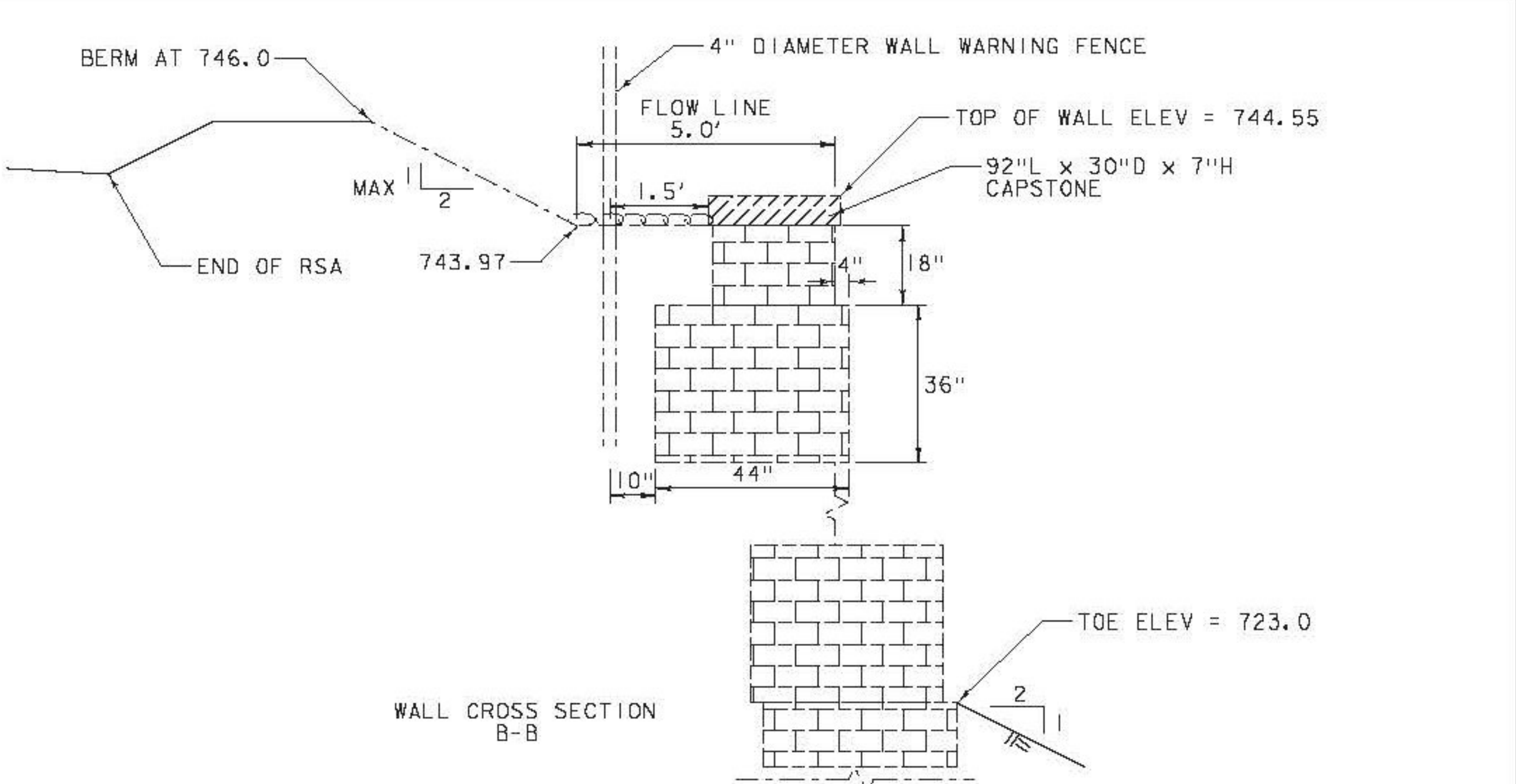
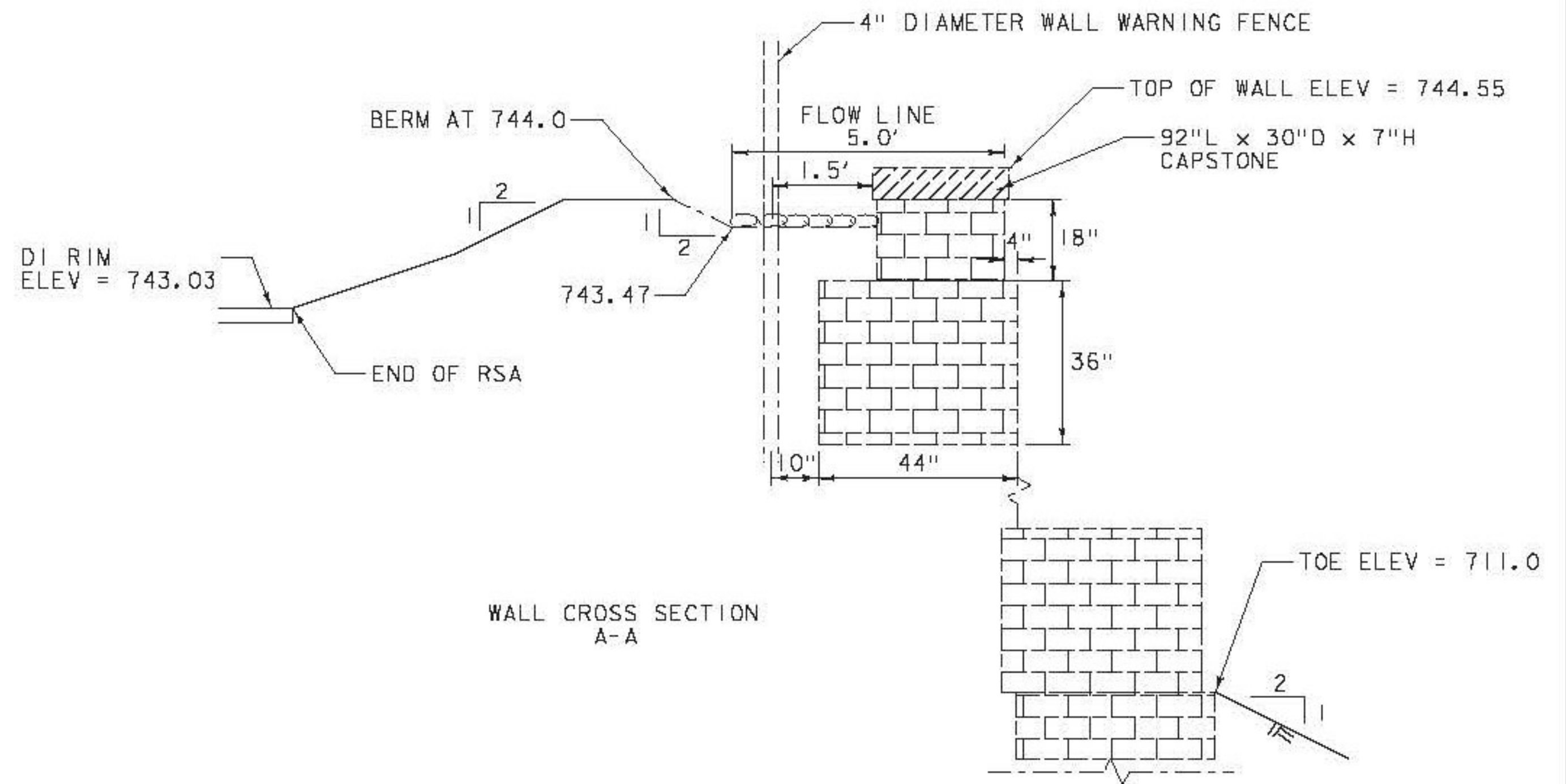
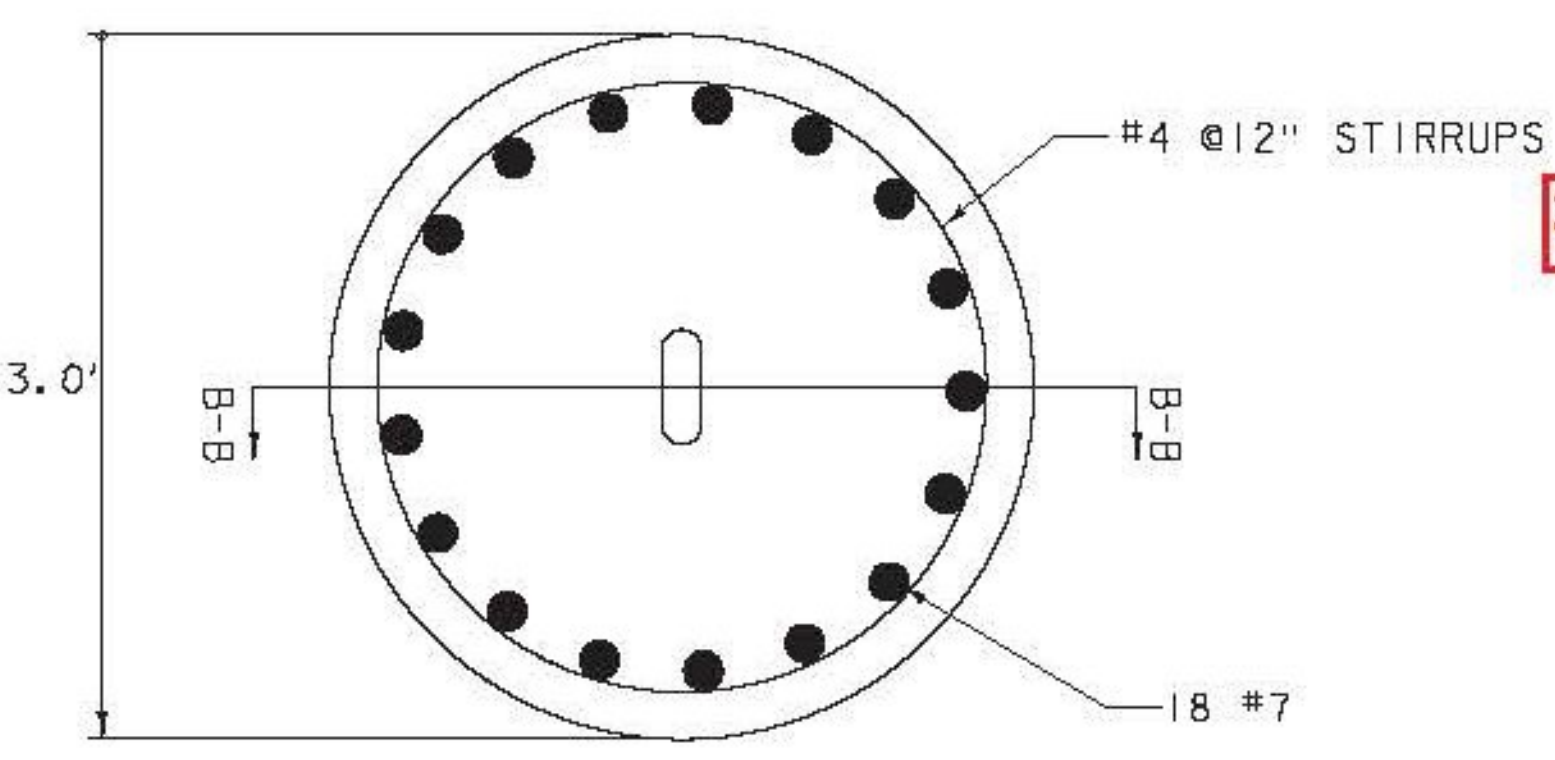


Record Drawings
Work completed in general conformance with contract plans.

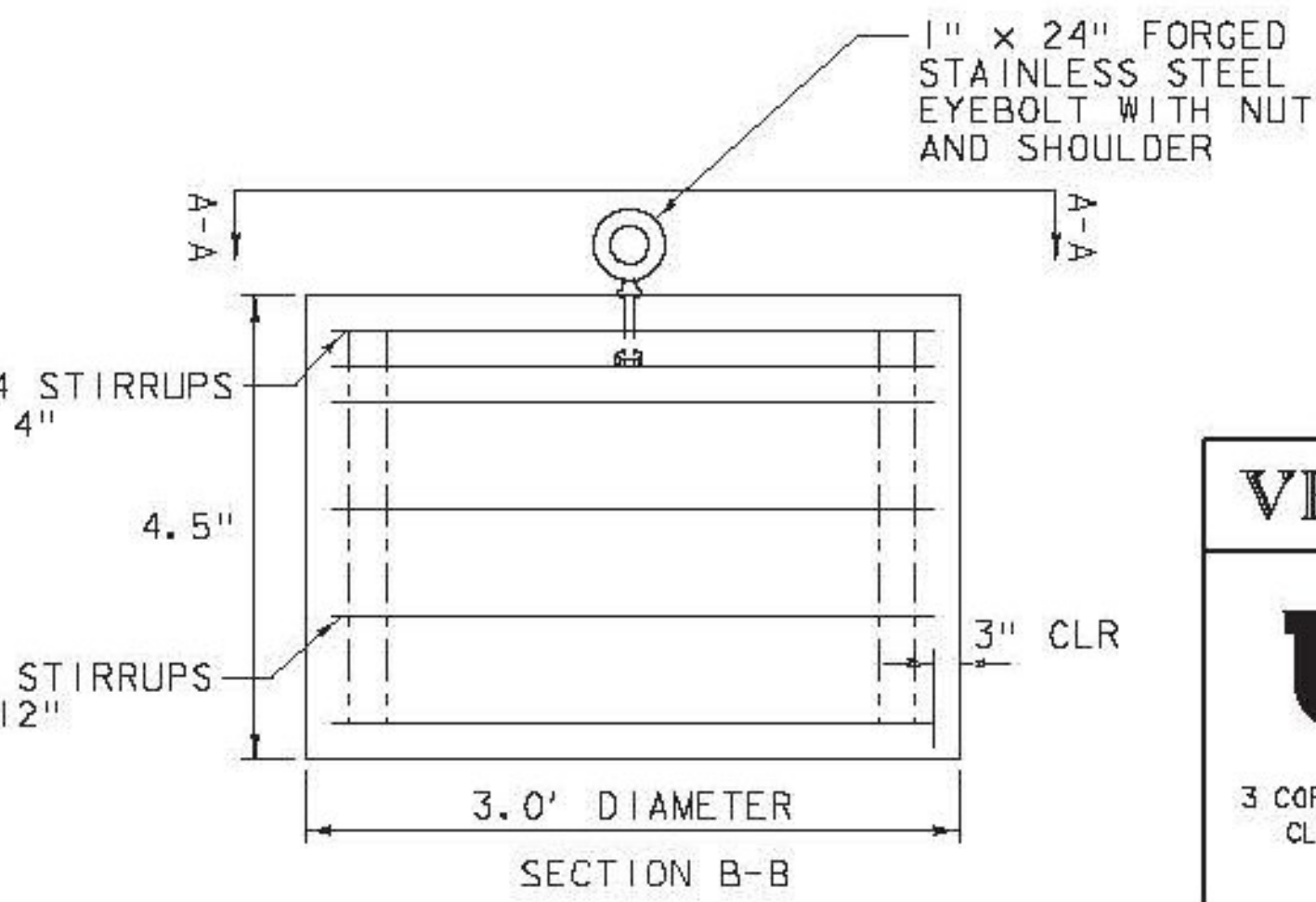


NOTE.
THREAD 1/2" DIAMETER EHS GALVANIZED STEEL WIRE ROPE THROUGH 3/8" DIAMETER HOLE IN 4" DIAMETER RIGID PIPE STANCHIONS LOCATED AT TOP OF RETAINING WALL AS WALL WARNING FENCE.
PAINT 4" DIAMETER PIPE ORANGE.
CONTRACTOR TO DESIGN FALL ARREST SYSTEM CAPABLE OF SUPPORTING 5000 LBF PER ANSI Z 359. WALL WARNING FENCE IS INCIDENTAL TO THE COST OF RETAINING WALL.



NOTES
EYEBOLT TO BE INSTALLED PERPENDICULAR TO WALL FACE
ALL CONCRETE TO BE $f'c = 3000$ PSI @ 28 DAY
ALL REINFORCING STEEL BARS TO BE ASTM A615 GRADE 60
ANCHOR POINTS TO BE SPACED AT 50' ON CENTER ALONG ENTIRE LENGTH OF WALL AND SET 2.25' FROM CENTER OF WALL WARNING FENCE

PERIMETER ACCESS FALL PROTECTION
NTS



3 6/17/13 Addendum 3



AIP 3-50-0015-34

VERMONT AGENCY OF TRANSPORTATION

<p>URS CORPORATION 3 CORPORATE DRIVE, SUITE 203 CLIFTON PARK, NY 12065 (518) 688-0015</p>	<p>PROJECT NAME: RUTLAND SOUTHERN VERMONT REGIONAL AIRPORT CLARENDON, VERMONT</p> <p>PROJECT NUMBER: AV14-8018-300</p>
	<p>FILE NAME: z07h124detail-wall.dgn</p> <p>PROJECT LEADER: F. WALSH</p> <p>DESIGNED BY: G. D'AMICO</p> <p>RETAINING WALL DETAILS</p>

6/17/2013
P:\CADD\Consultants\z07h124detail-wall.dgn