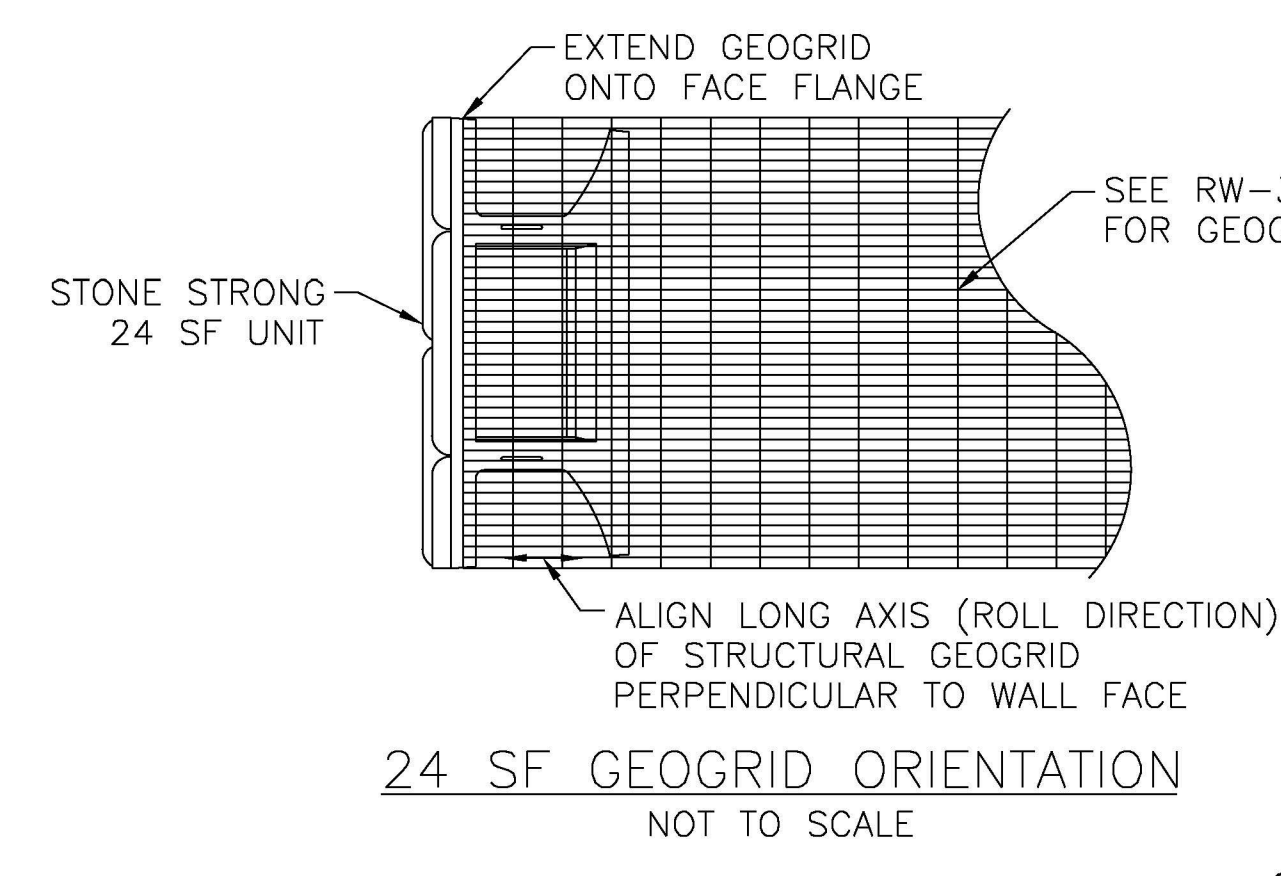
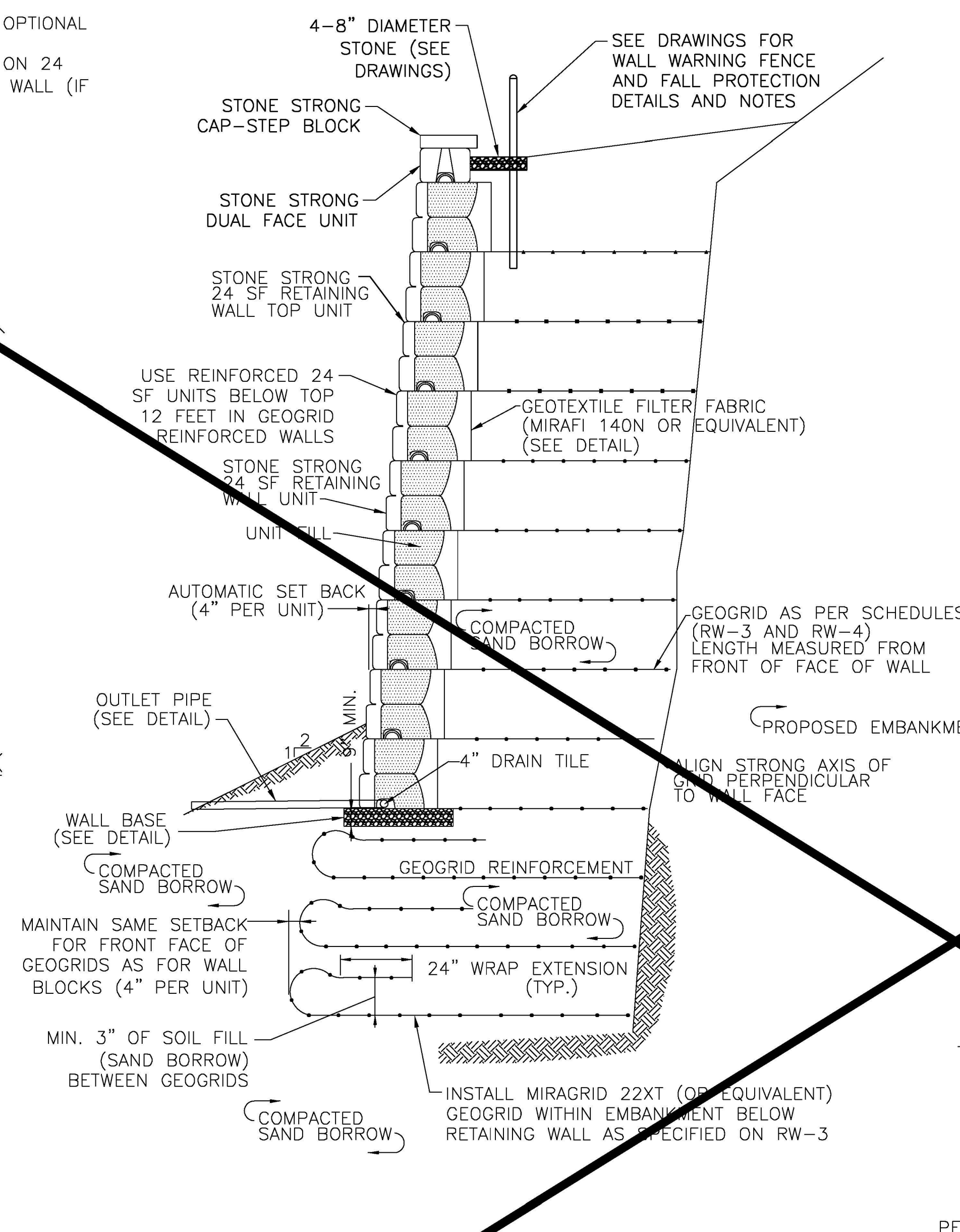
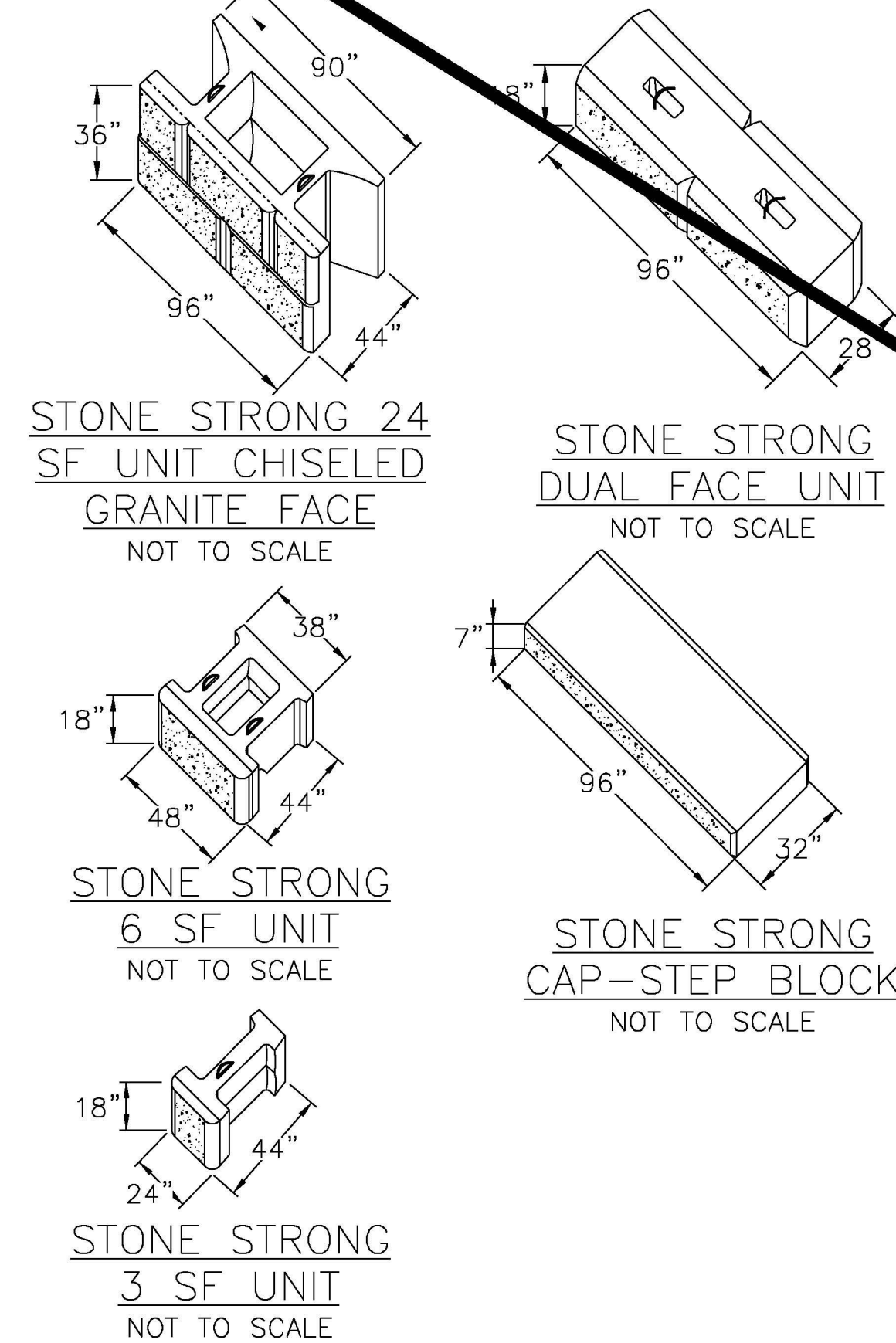
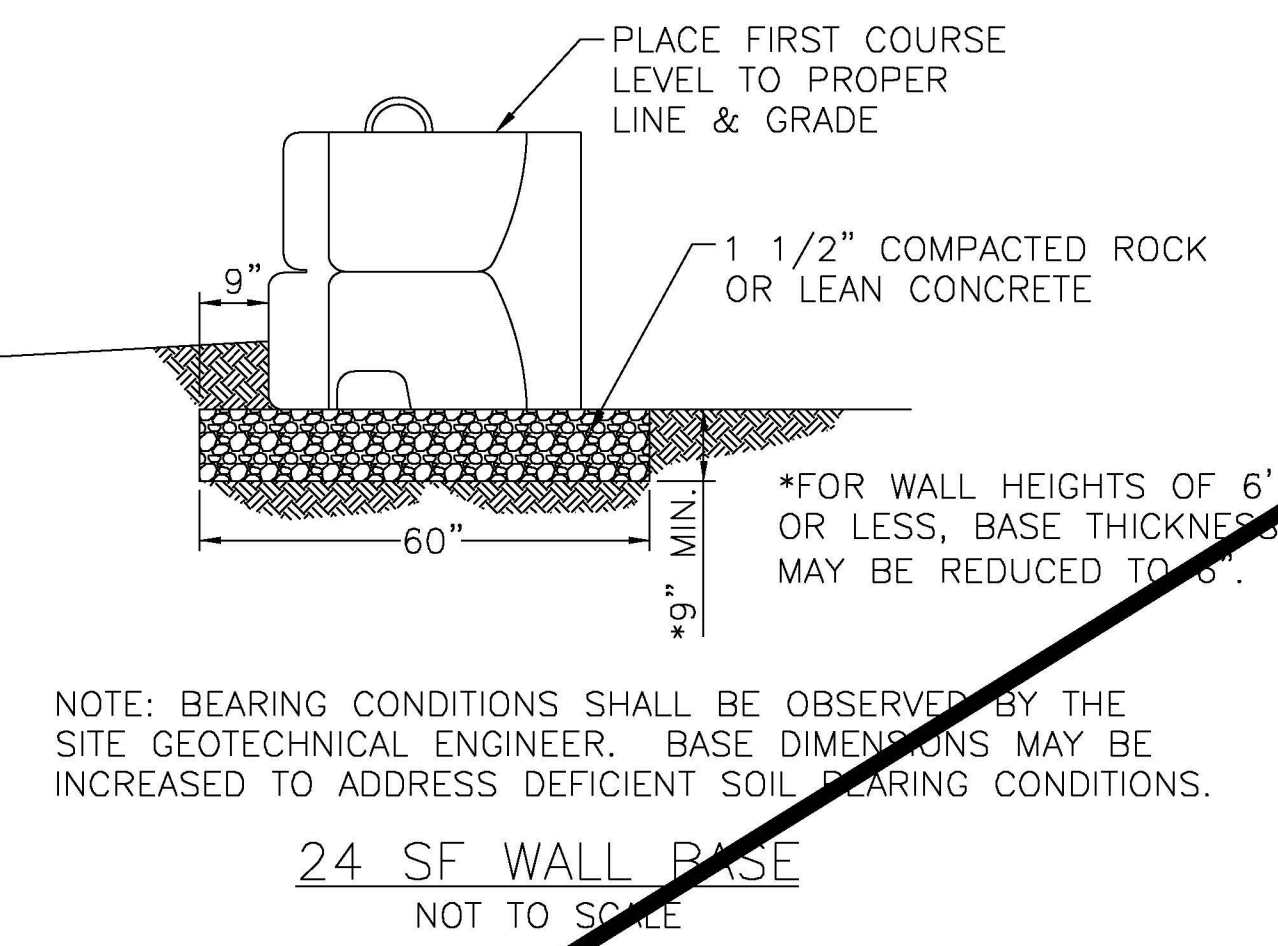
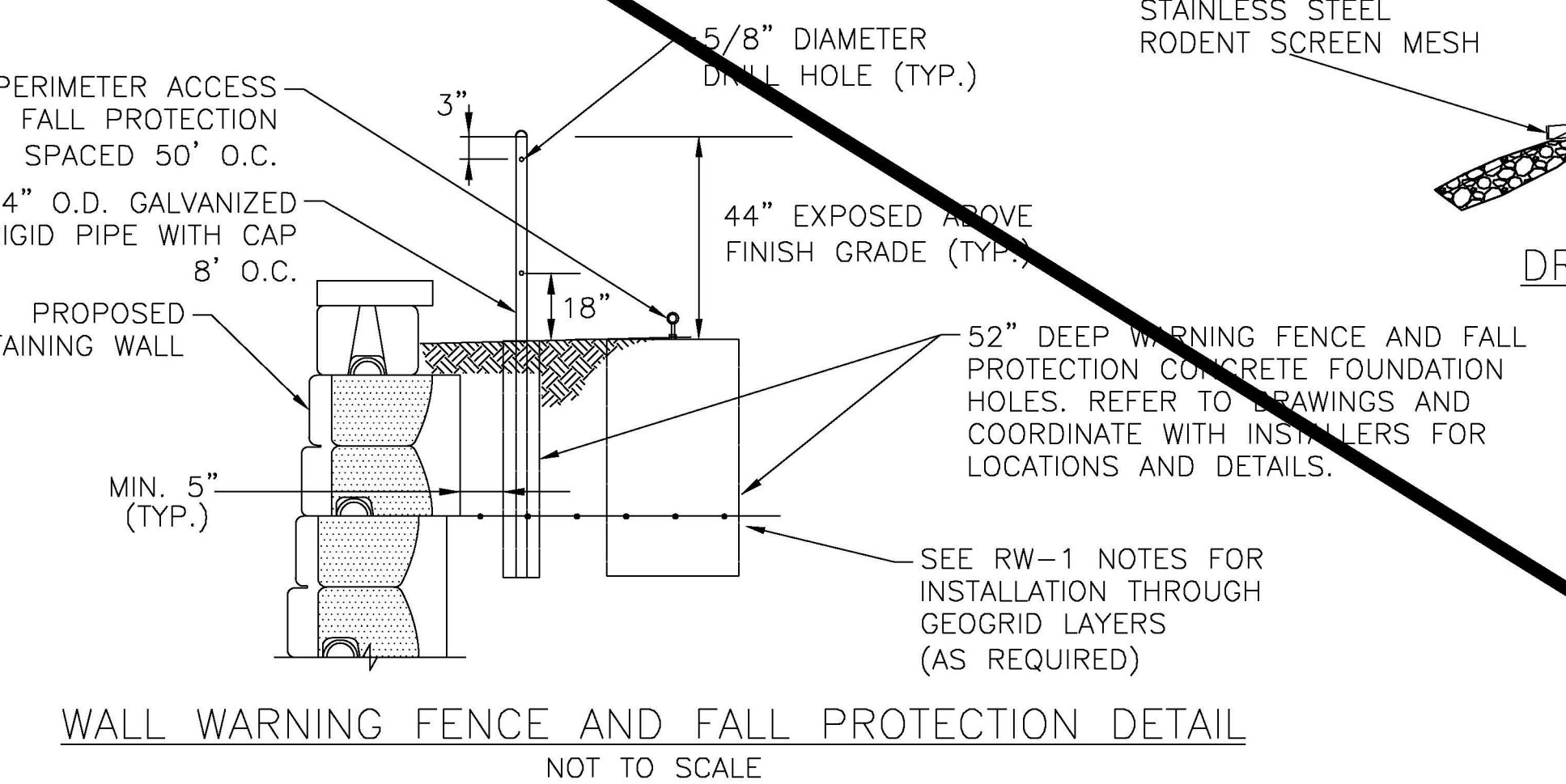
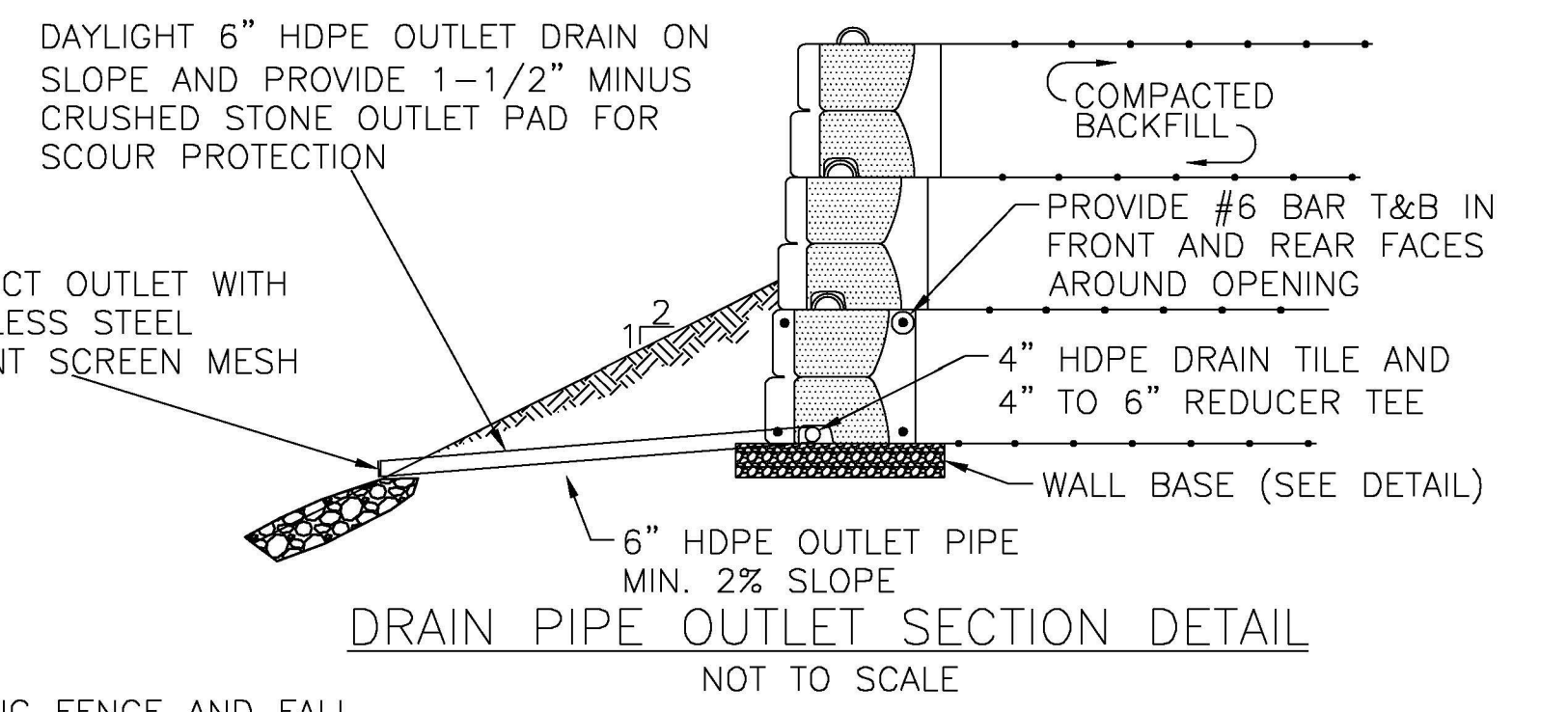
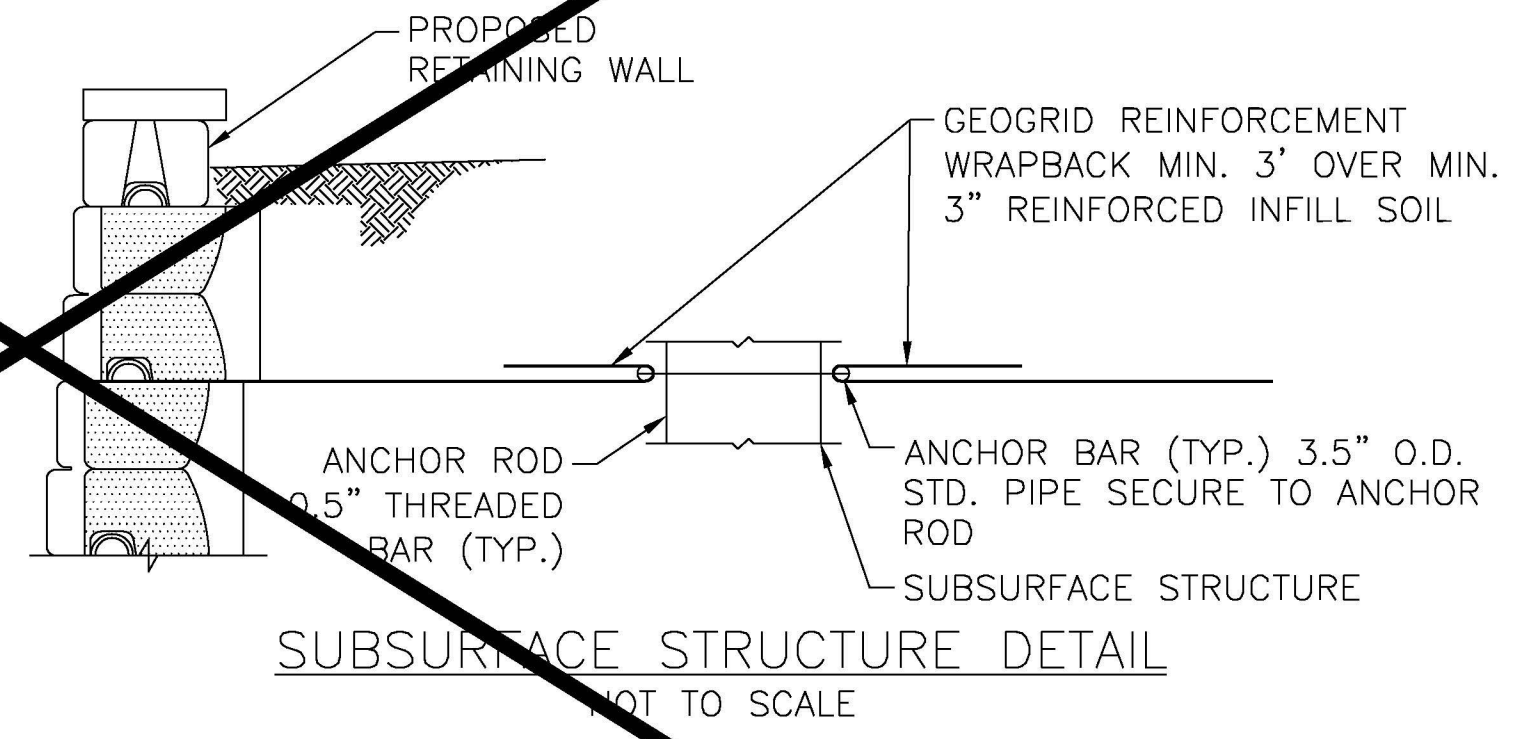
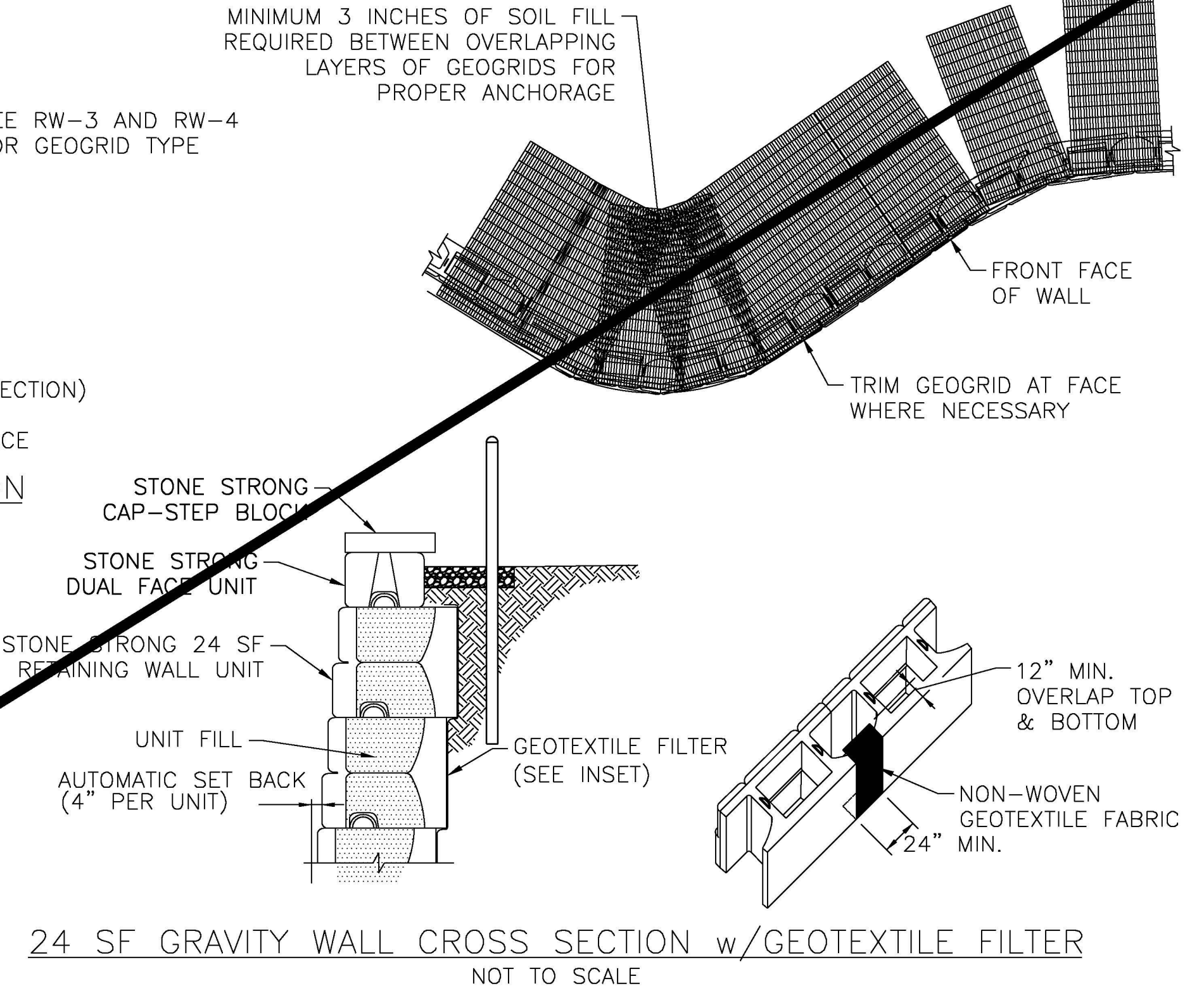


**NOTES:**

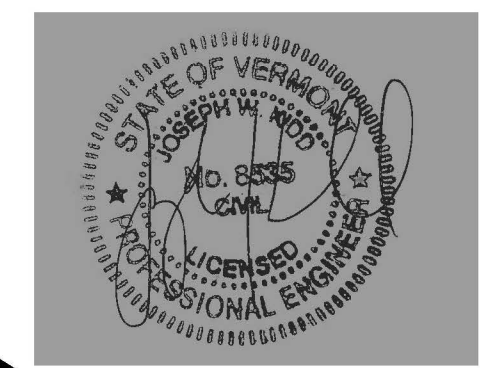
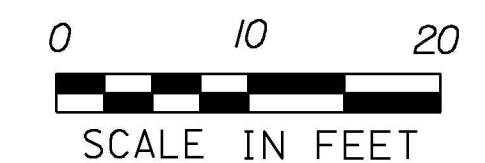
- USE REINFORCED 24 SF UNITS BELOW TOP 12' IN GEOGRID REINFORCED WALLS. SEE FACE AND WEB MESH DETAILS FOR OPTIONAL REINFORCEMENT GRID.
- CHISELED GRANITE STYLE HAS 4 DIFFERENT FACE PATTERNS ON 24 SF BLOCKS. INSTALL A, B, C, & D PATTERNS AT RANDOM IN WALL (IF APPLICABLE).



- GENERAL NOTES:**
- REFER TO SHEETS RW-1 THROUGH RW-5 FOR DETAILS OF MODULAR BLOCK LAYOUT.
  - REFER TO SHEETS RW-1 THROUGH RW-5 FOR DETAILS OF GEOGRID LAYOUT, EMBEDMENT LENGTH AND TYPE.



NOTE: BEARING CONDITIONS SHALL BE OBSERVED BY THE SITE GEOTECHNICAL ENGINEER. BASE DIMENSIONS MAY BE INCREASED TO ADDRESS DEFICIENT SOIL BEARING CONDITIONS.



**VERMONT AGENCY OF TRANSPORTATION**

 Geotechnical   Construction   Environmental Engineers and Scientists 54 MAIN STREET WINDSOR, VT 05089 TELEPHONE: 802.674.2033 FACSIMILE: 802.674.5843	DRAWING NO. <b>RW-5</b>	 URS CORPORATION 3 CORPORATE DRIVE, SUITE 203 CLIFTON PARK, NY 12065 (518) 688-0015	PROJECT NAME: RUTLAND SOUTHERN VERMONT REGIONAL AIRPORT CLARENDON, VERMONT
	SHEET 5 OF 5		PROJECT NUMBER: AV14-8018-300
PROJECT NO. 0880-011.5	FILE NAME: z07h124detail_wall2.dgn PROJECT LEADER: JWK DESIGNED BY: RPJ SEGMENTAL RETAINING WALL AND CONCRETE BUTTRISS DETAILS	PLOT DATE: 6/2/2013 DRAWN BY: JPG / JPM CHECKED BY: JAG SHEET 25 OF 36	AIP 3-50-0015-34

6/2/2013 P:\CADD\consultants\z07h124detail\_wall2.dgn