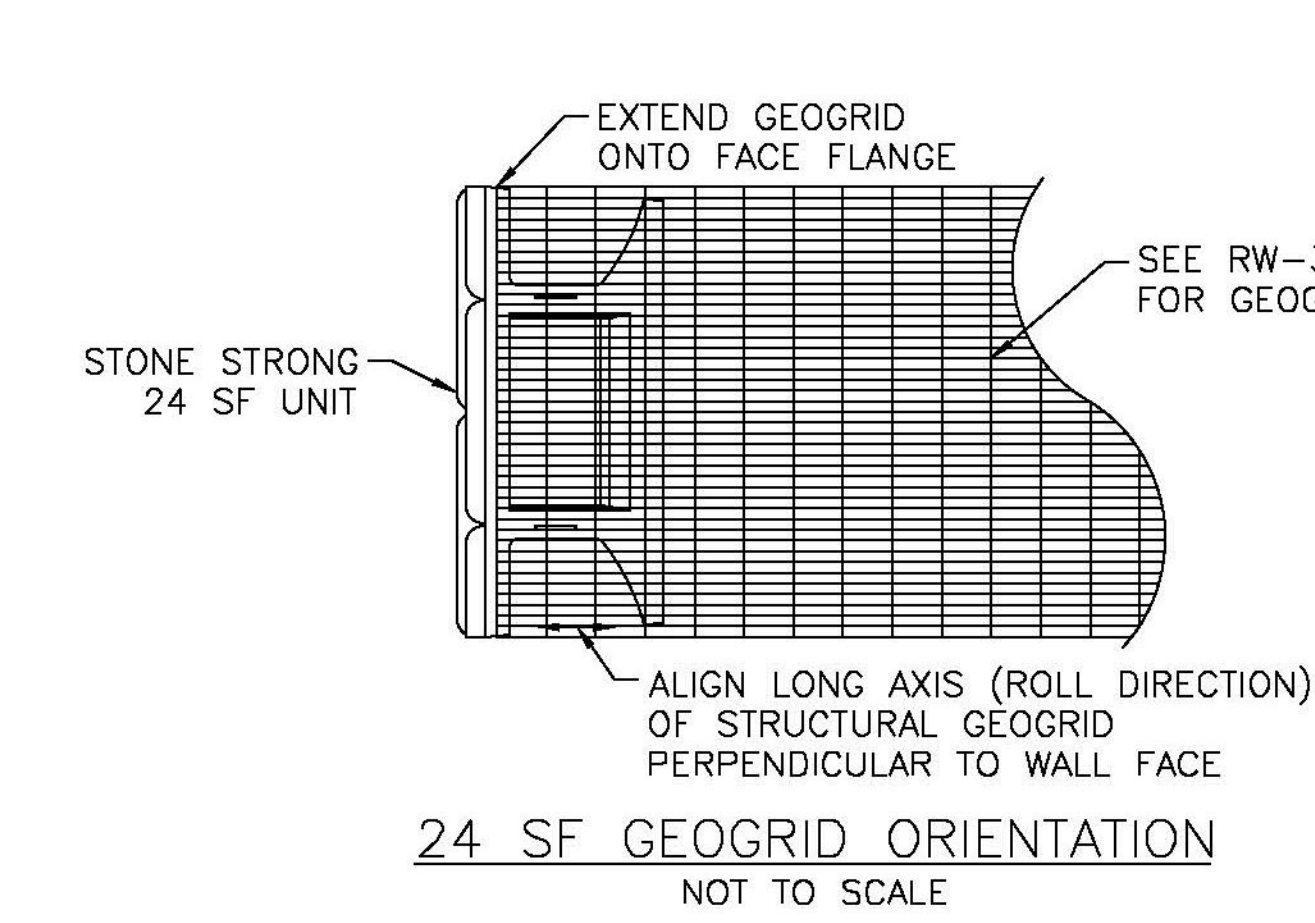
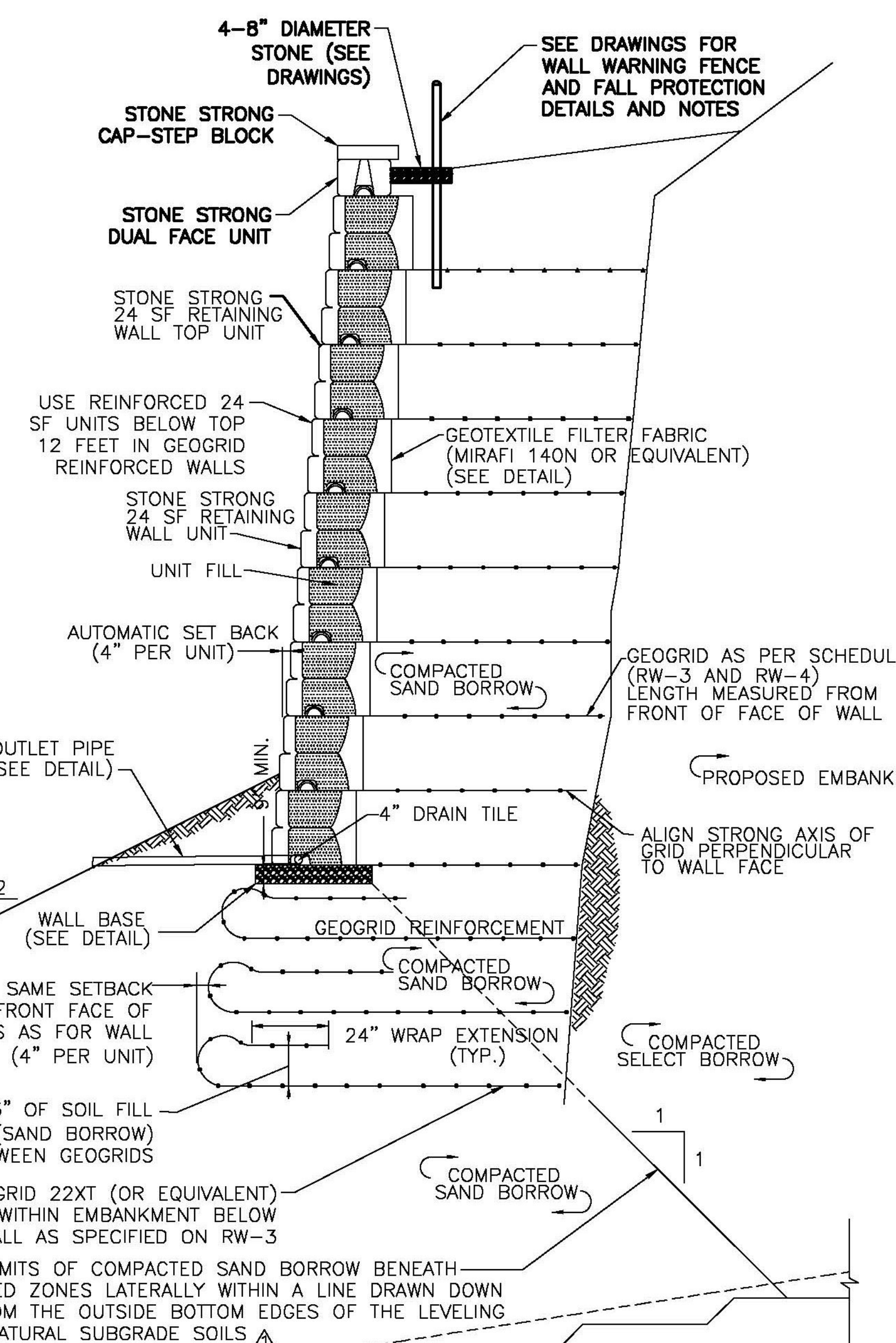
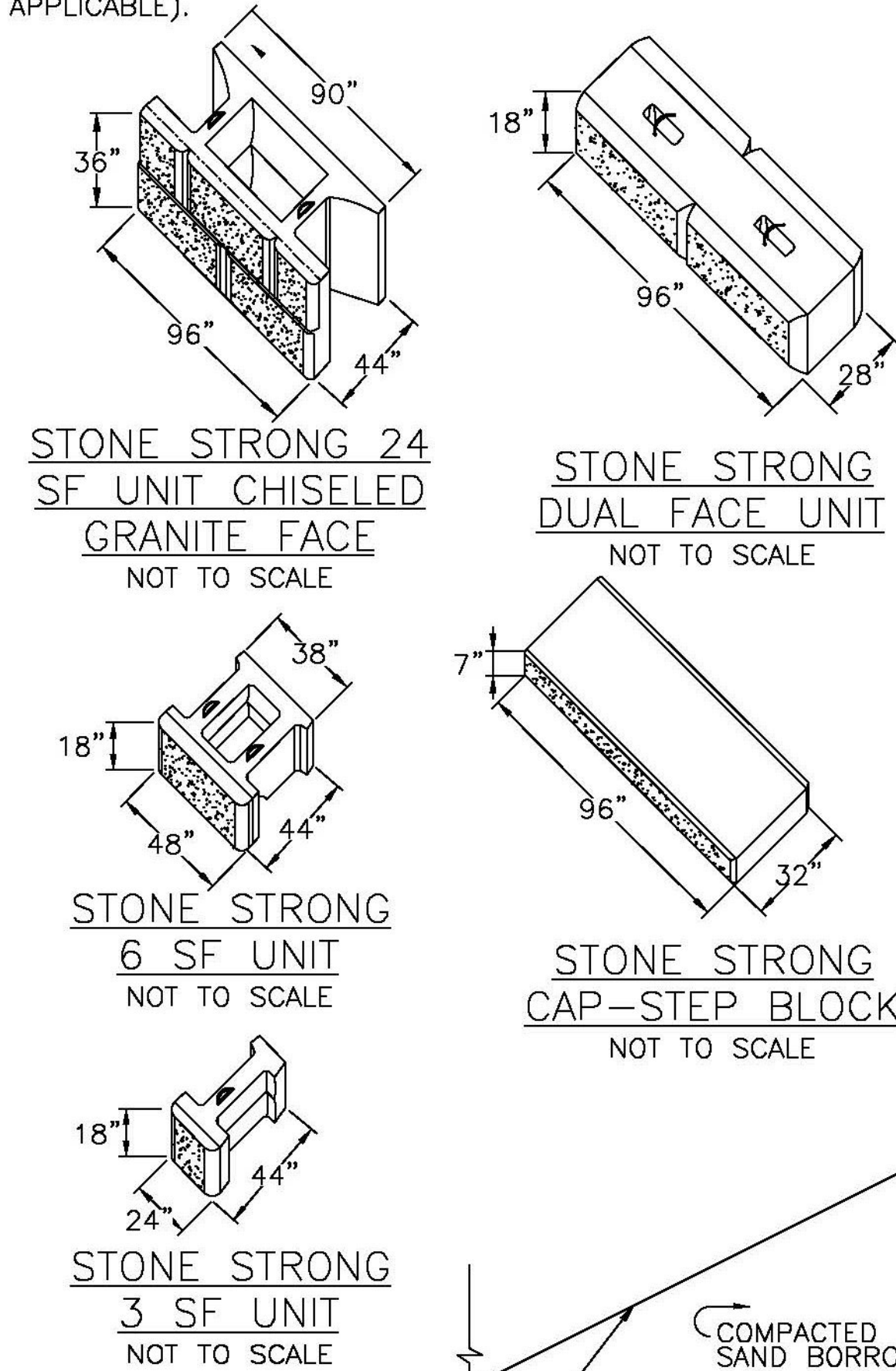
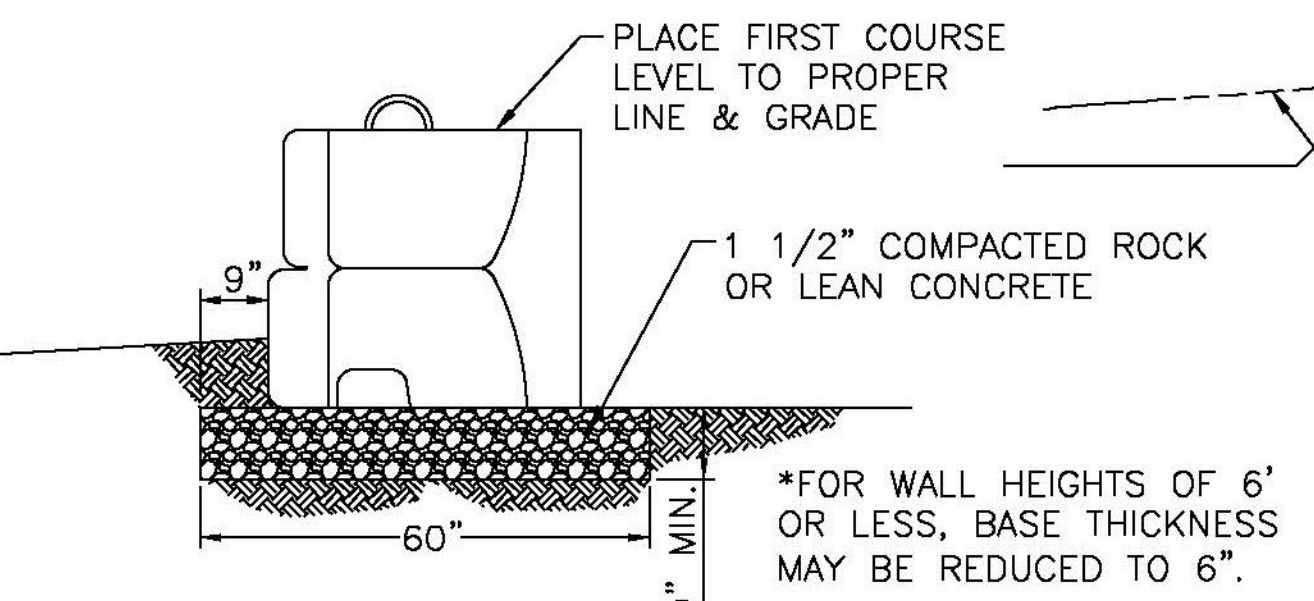
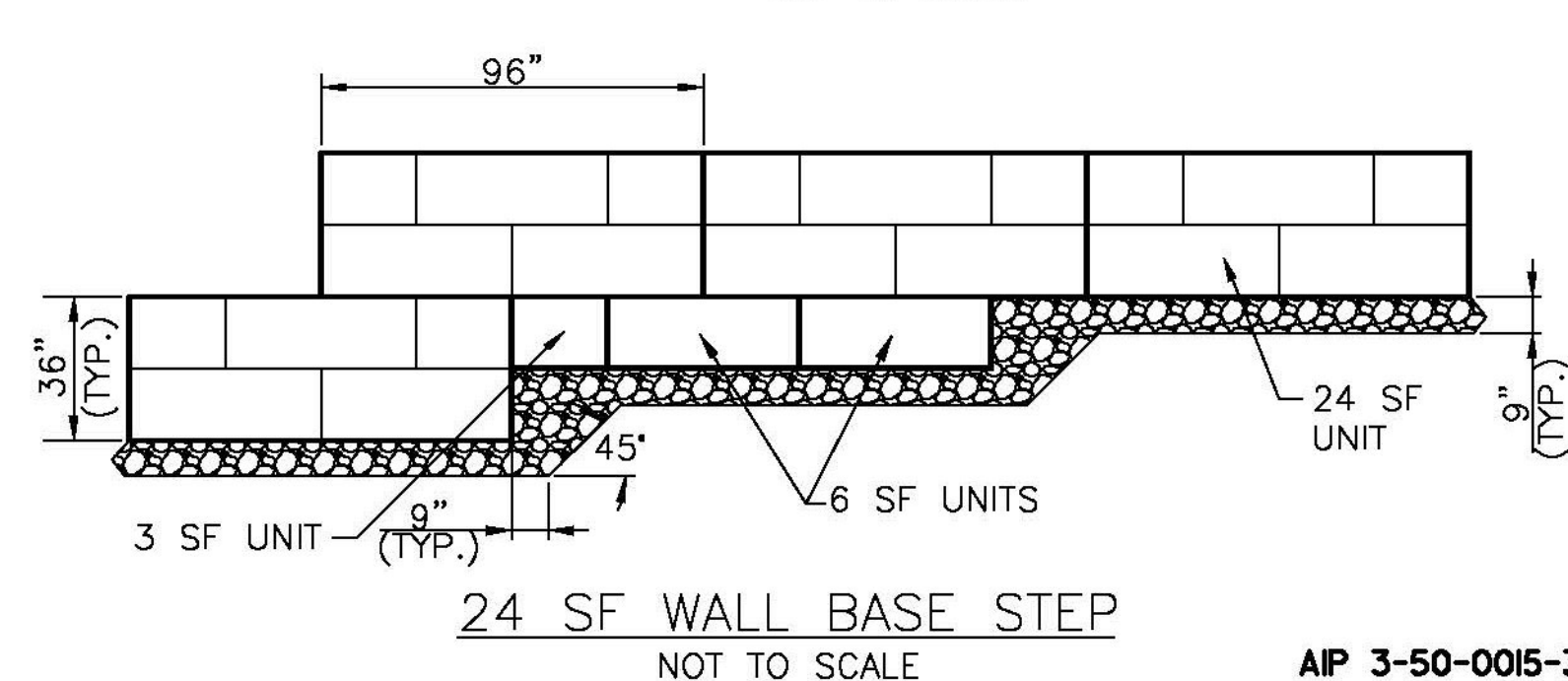
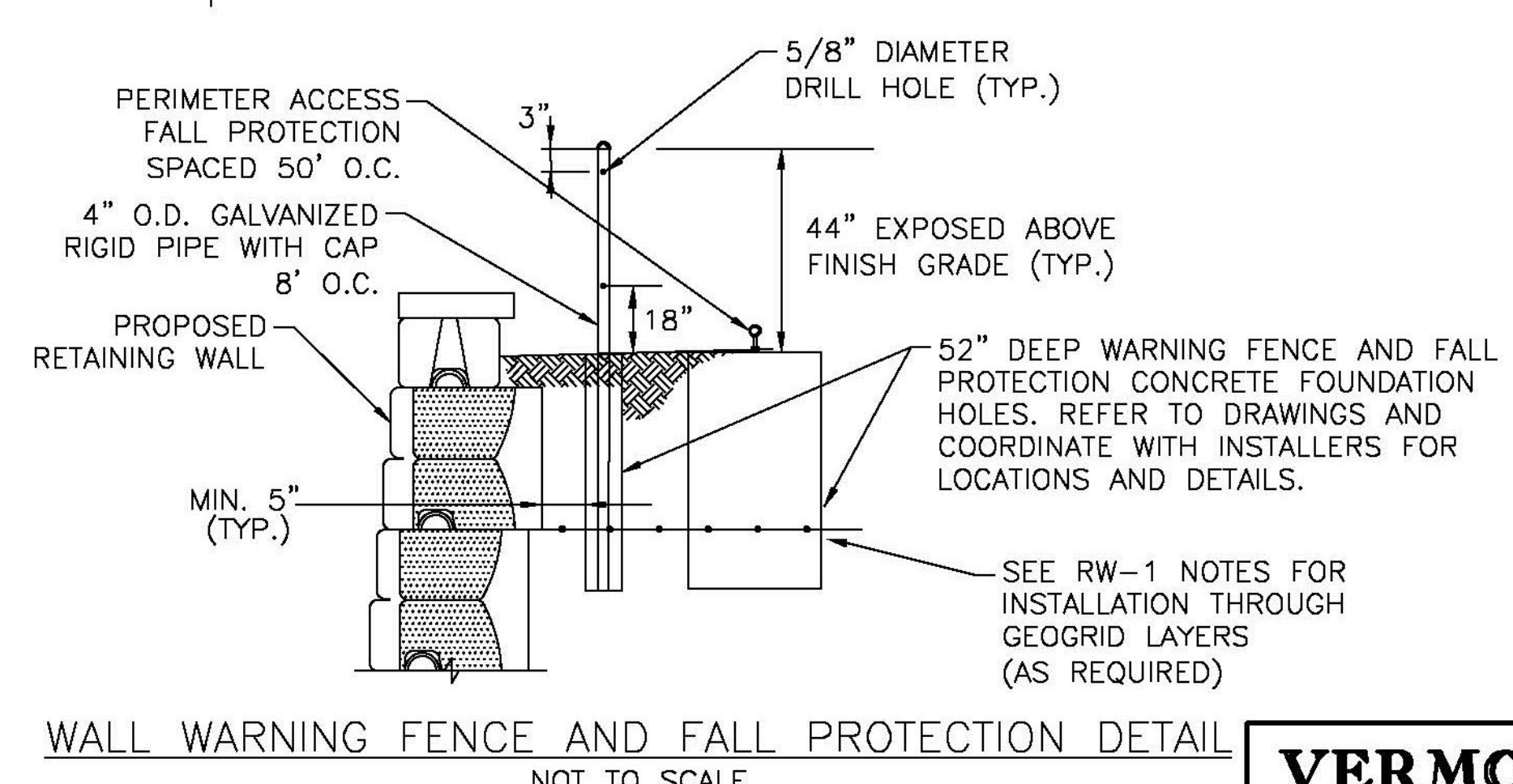
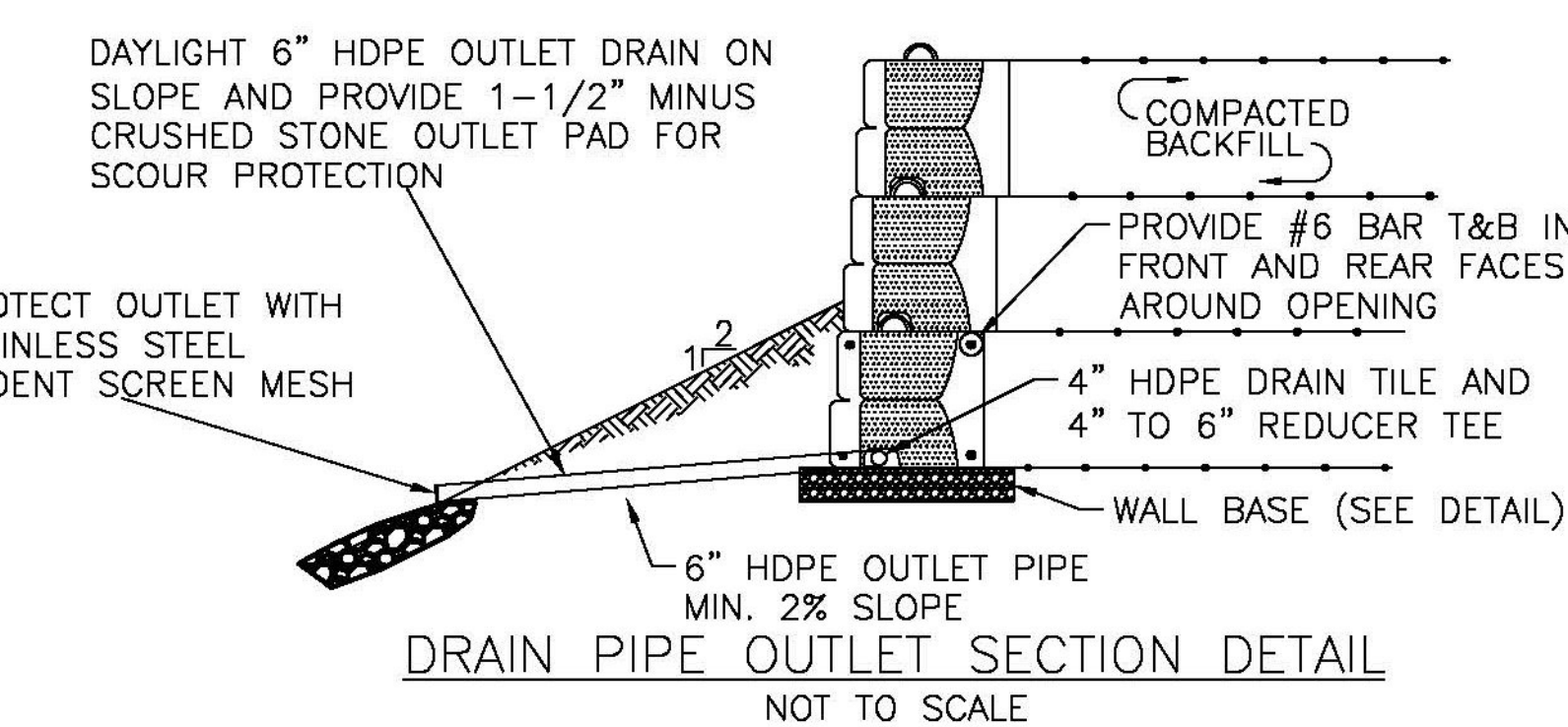
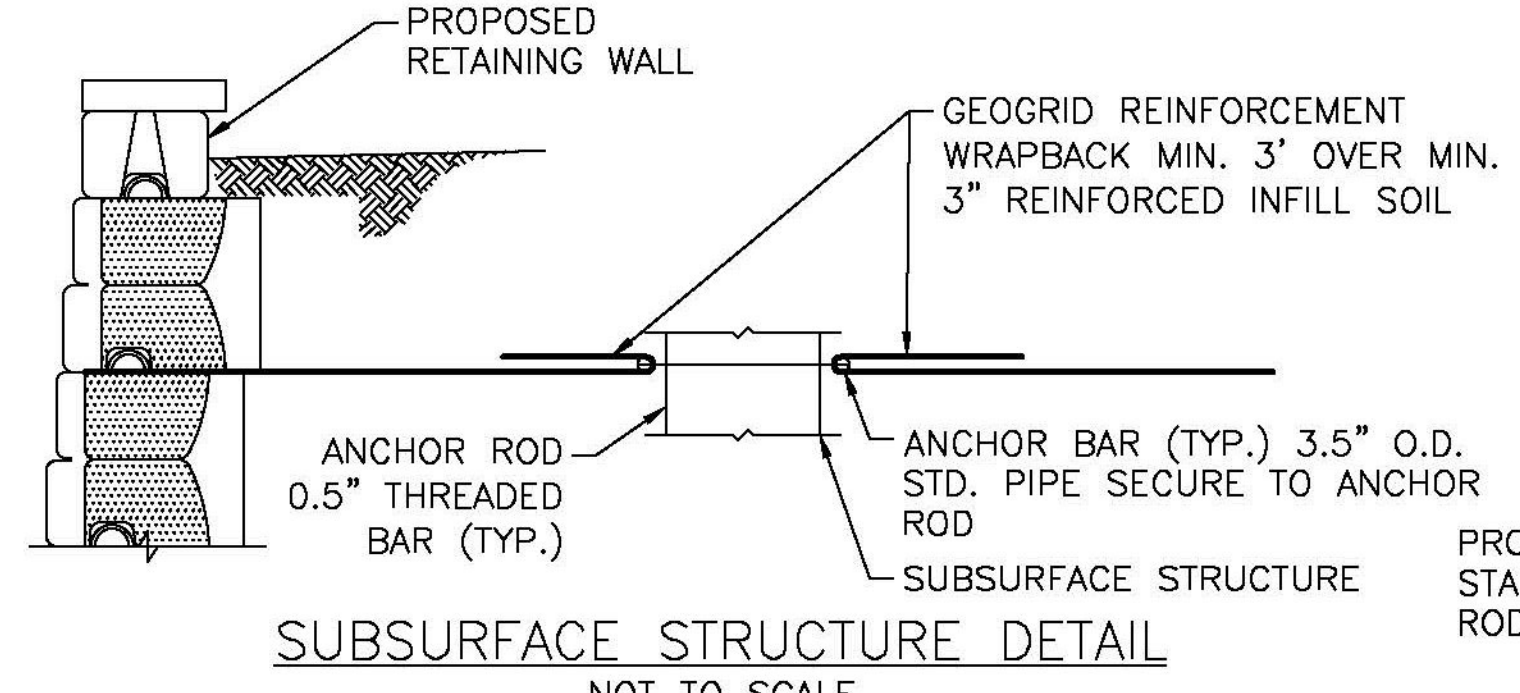
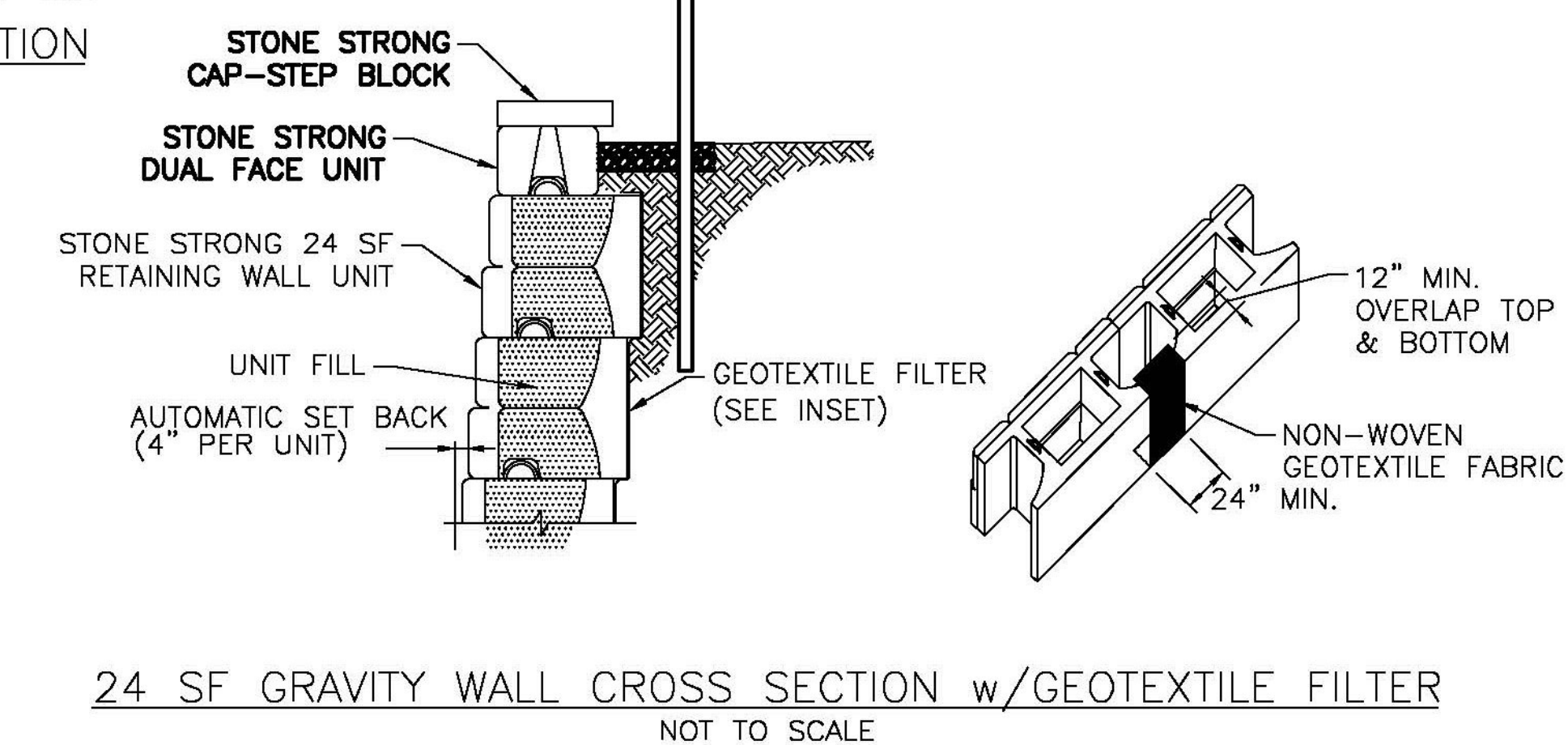
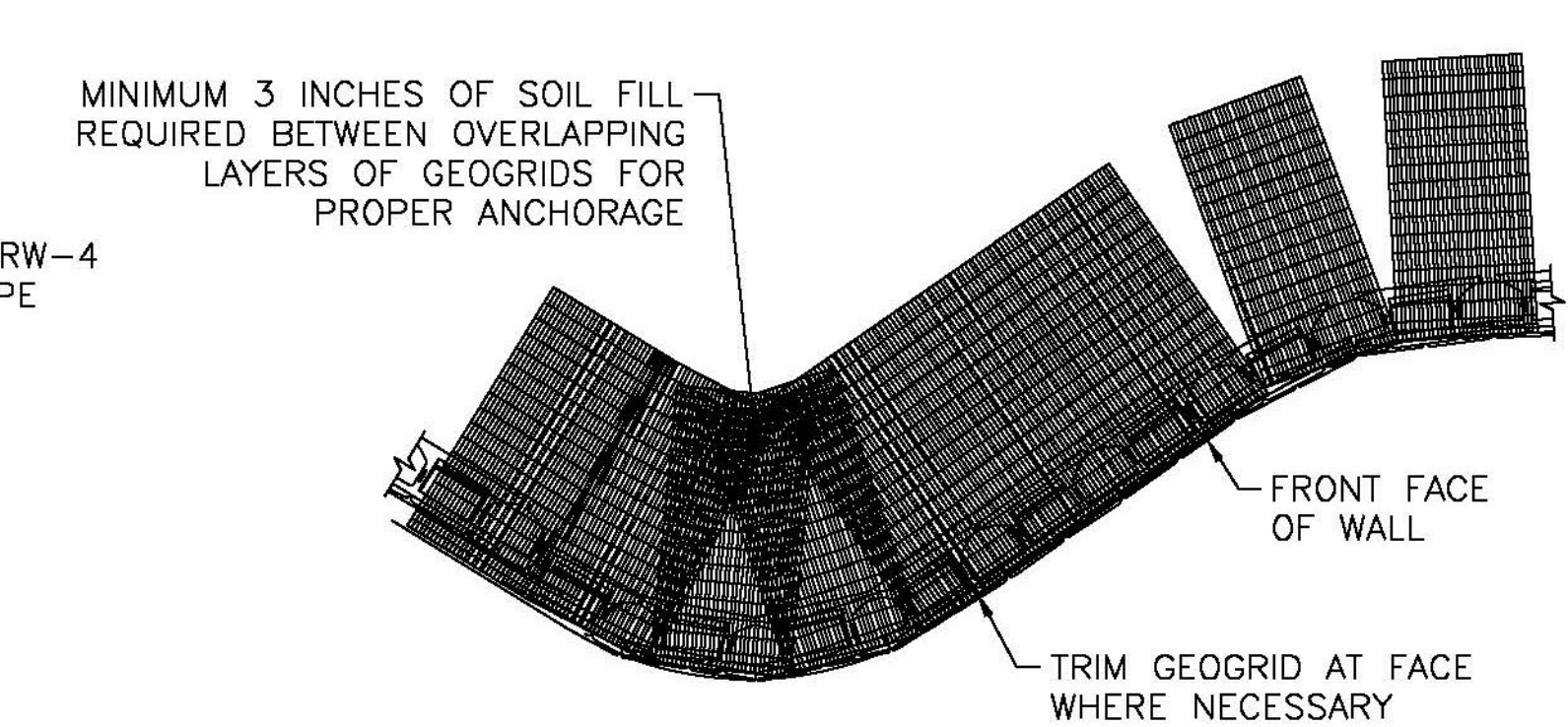


NOTES:

- USE REINFORCED 24 SF UNITS BELOW TOP 12' IN GEOGRID REINFORCED WALLS. SEE FACE AND WEB MESH DETAILS FOR OPTIONAL REINFORCEMENT GRID.
- CHISELED GRANITE STYLE HAS 4 DIFFERENT FACE PATTERNS ON 24 SF BLOCKS. INSTALL A, B, C, & D PATTERNS AT RANDOM IN WALL (IF APPLICABLE).



- GENERAL NOTES:**
- REFER TO SHEETS RW-1 THROUGH RW-5 FOR DETAILS OF MODULAR BLOCK LAYOUT.
 - REFER TO SHEETS RW-1 THROUGH RW-5 FOR DETAILS OF GEOGRID LAYOUT, EMBEDMENT LENGTH, AND TYPE.



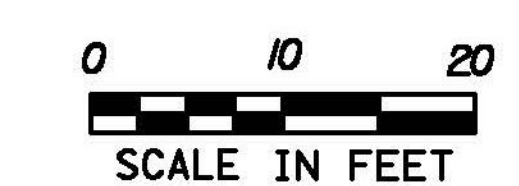
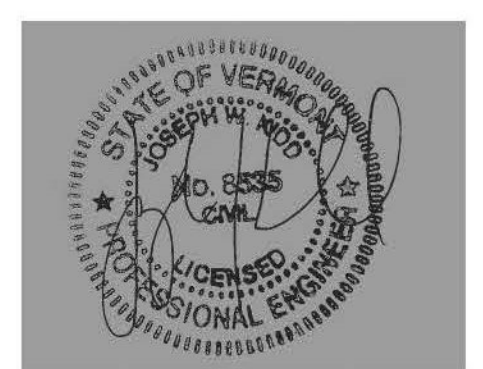
NOTE: BEARING CONDITIONS SHALL BE OBSERVED BY THE SITE GEOTECHNICAL ENGINEER. BASE DIMENSIONS MAY BE INCREASED TO ADDRESS DEFICIENT SOIL BEARING CONDITIONS.

24 SF REINFORCED WALL CROSS SECTION
NOT TO SCALE

Record Drawings
Work completed in general conformance with contract plans.

24 SF WALL BASE
NOT TO SCALE

NO.	DATE	DESCRIPTION	DRWN	CHKD	APPVD
1	6/11	DESIGN ADDENDUM 1	RPJ	JAG	JWK
REVISIONS					



GEODESIGN INCORPORATED
Geotechnical | Construction | Environmental Engineers and Scientists
54 MAIN STREET WINDSOR, VT 05099
TELEPHONE: 802.674.2033 FACSIMILE: 802.674.5943

DRAWING NO. **RW-5**
SHEET 5 OF 5

PROJECT NO. 0880-011.5

VERMONT AGENCY OF TRANSPORTATION

PROJECT NAME: RUTLAND SOUTHERN VERMONT REGIONAL AIRPORT CLARENDON, VERMONT
PROJECT NUMBER: AV14-8018-300

URS
URS CORPORATION
3 CORPORATE DRIVE, SUITE 203
CLIFTON PARK, NY 12065
(518) 688-0015

FILE NAME: z07h124detail_w0112.dgn PLOT DATE: 6/11/13
PROJECT LEADER: JWK DRAWN BY: JPG / JPM
DESIGNED BY: RPJ CHECKED BY: JAG
SEGMENTAL RETAINING WALL AND CONCRETE BUTTRESS DETAILS SHEET 25 OF 36

AIP 3-50-0015-34