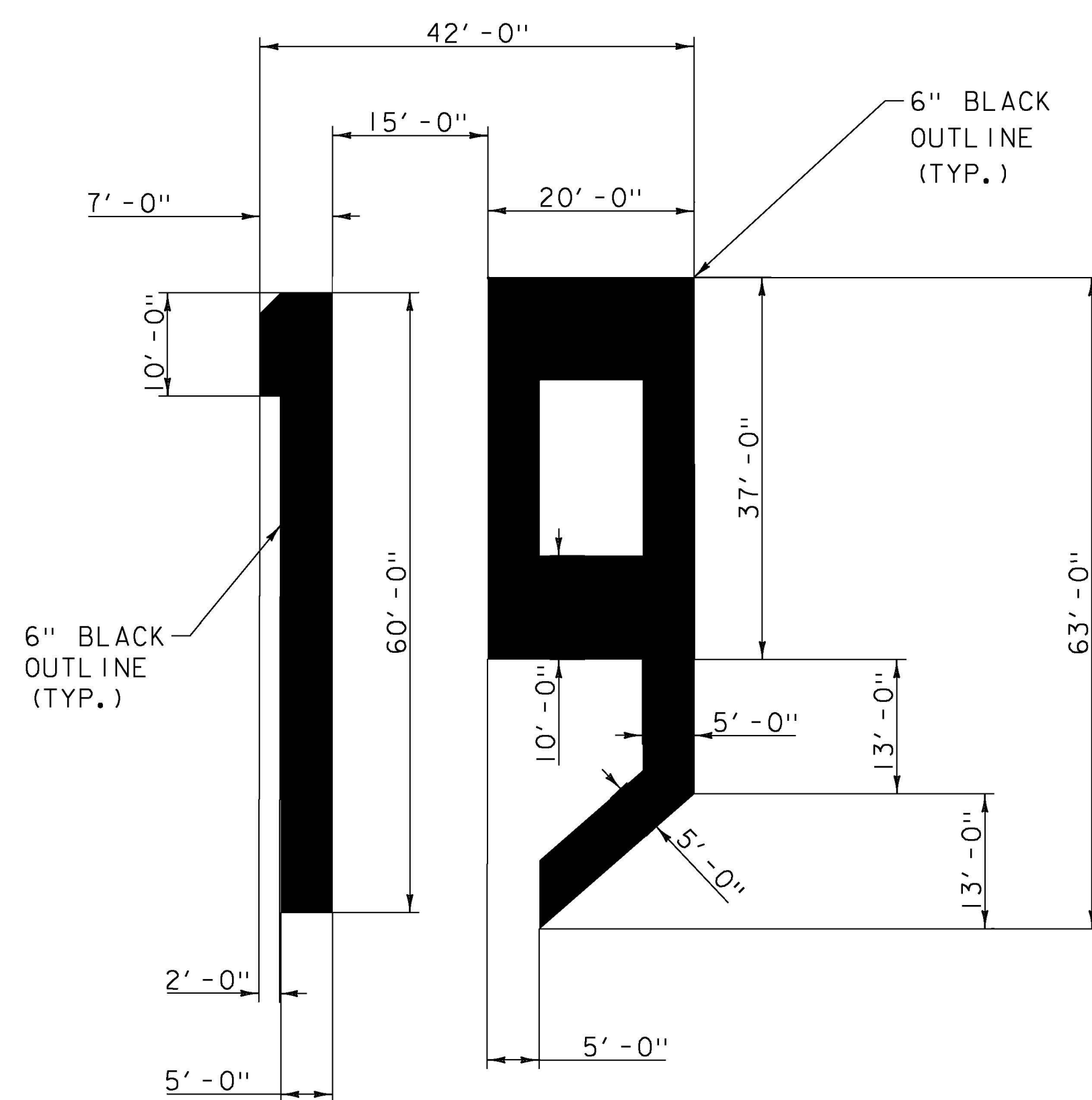
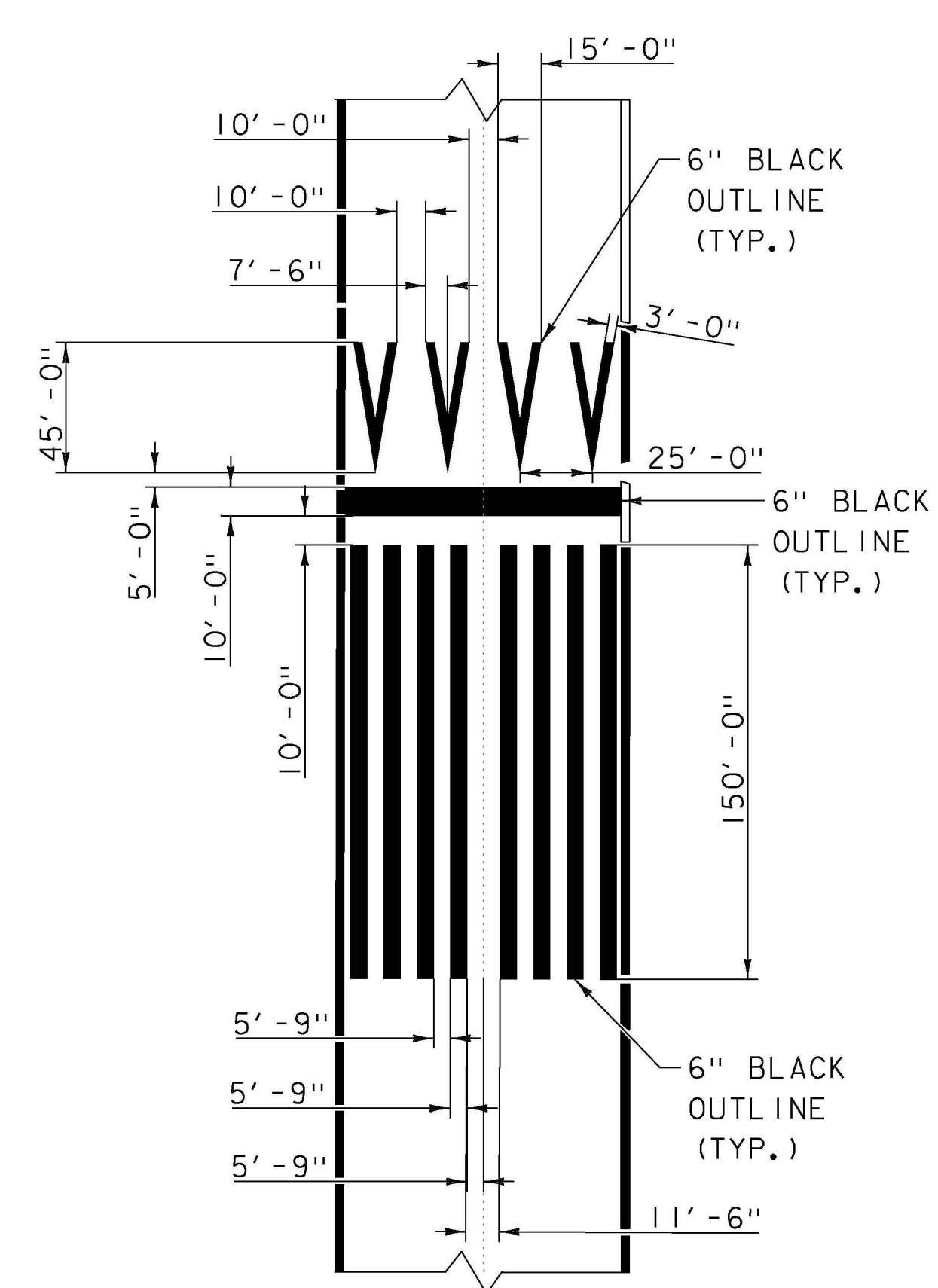


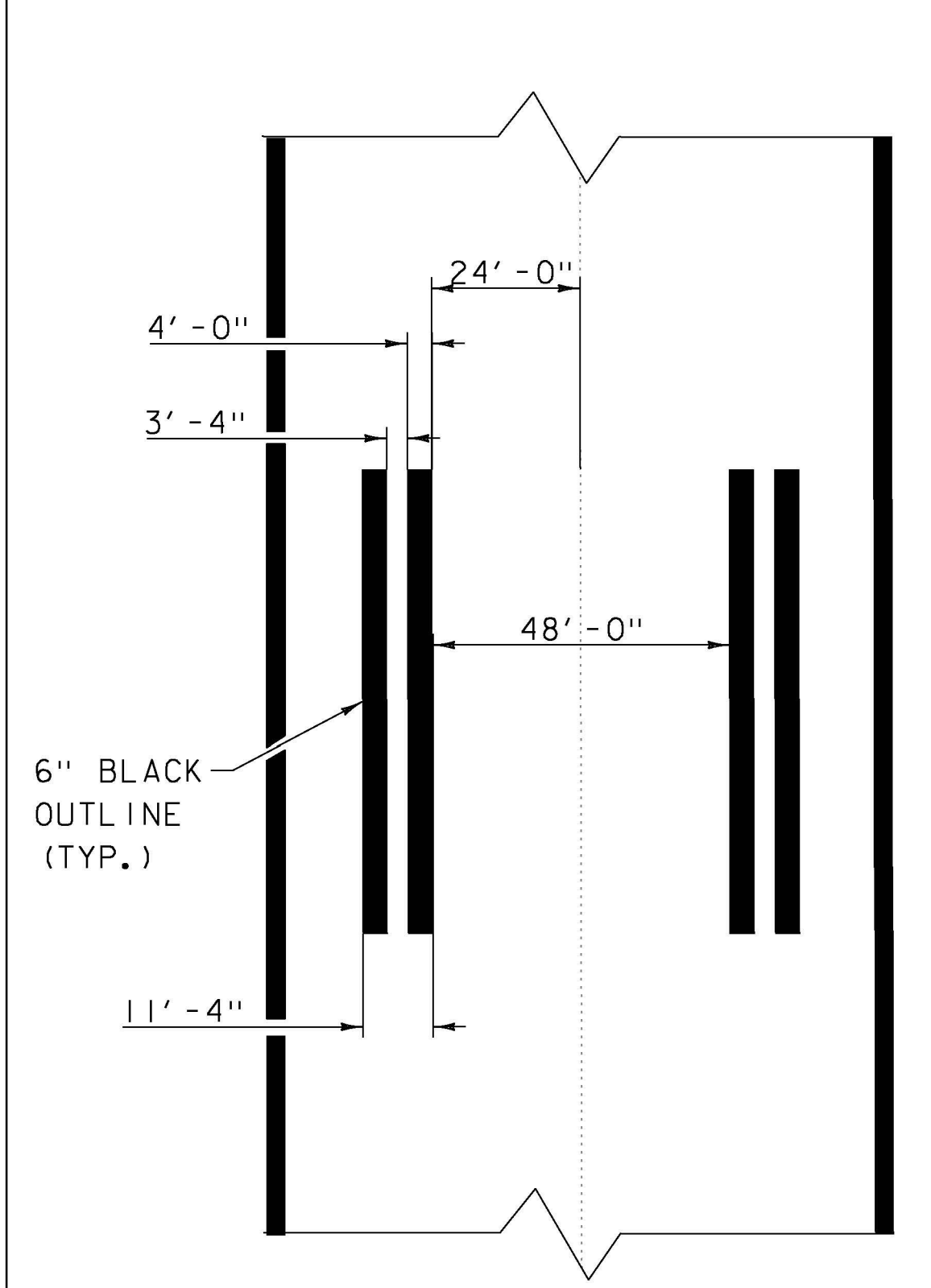
DETAIL A
AIMING POINT



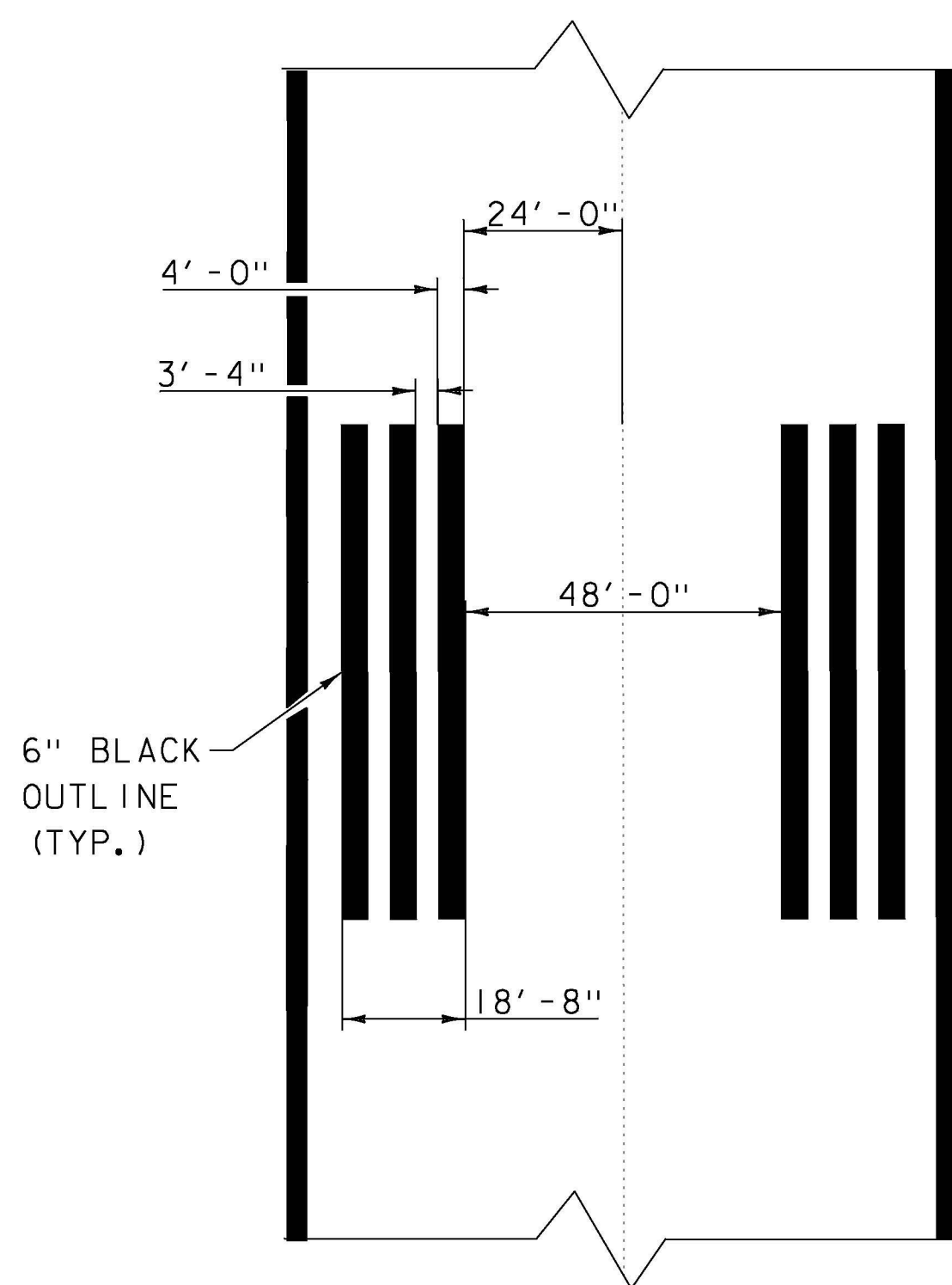
DETAIL B
LANDING INDICATOR



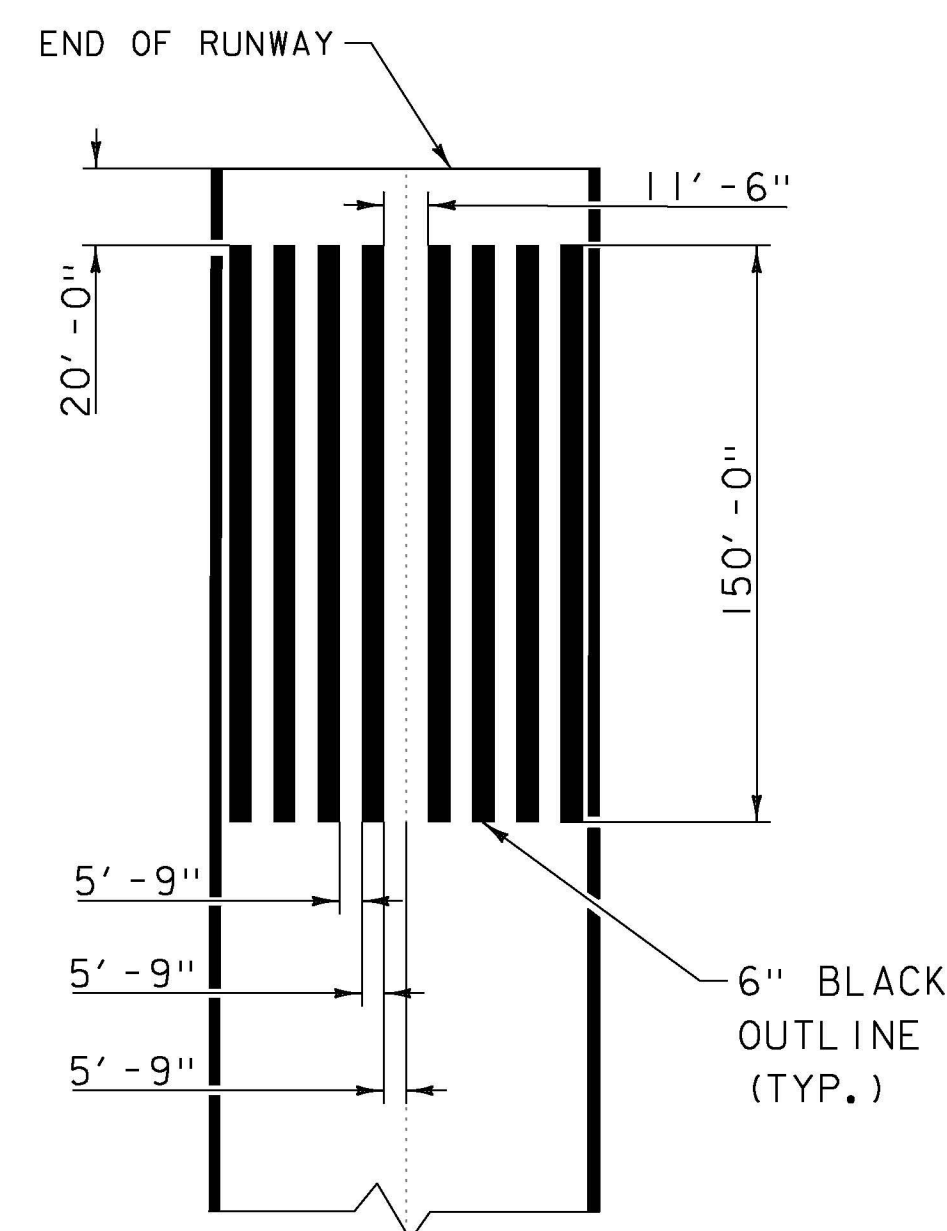
DETAIL C
DISPLACED THRESHOLD



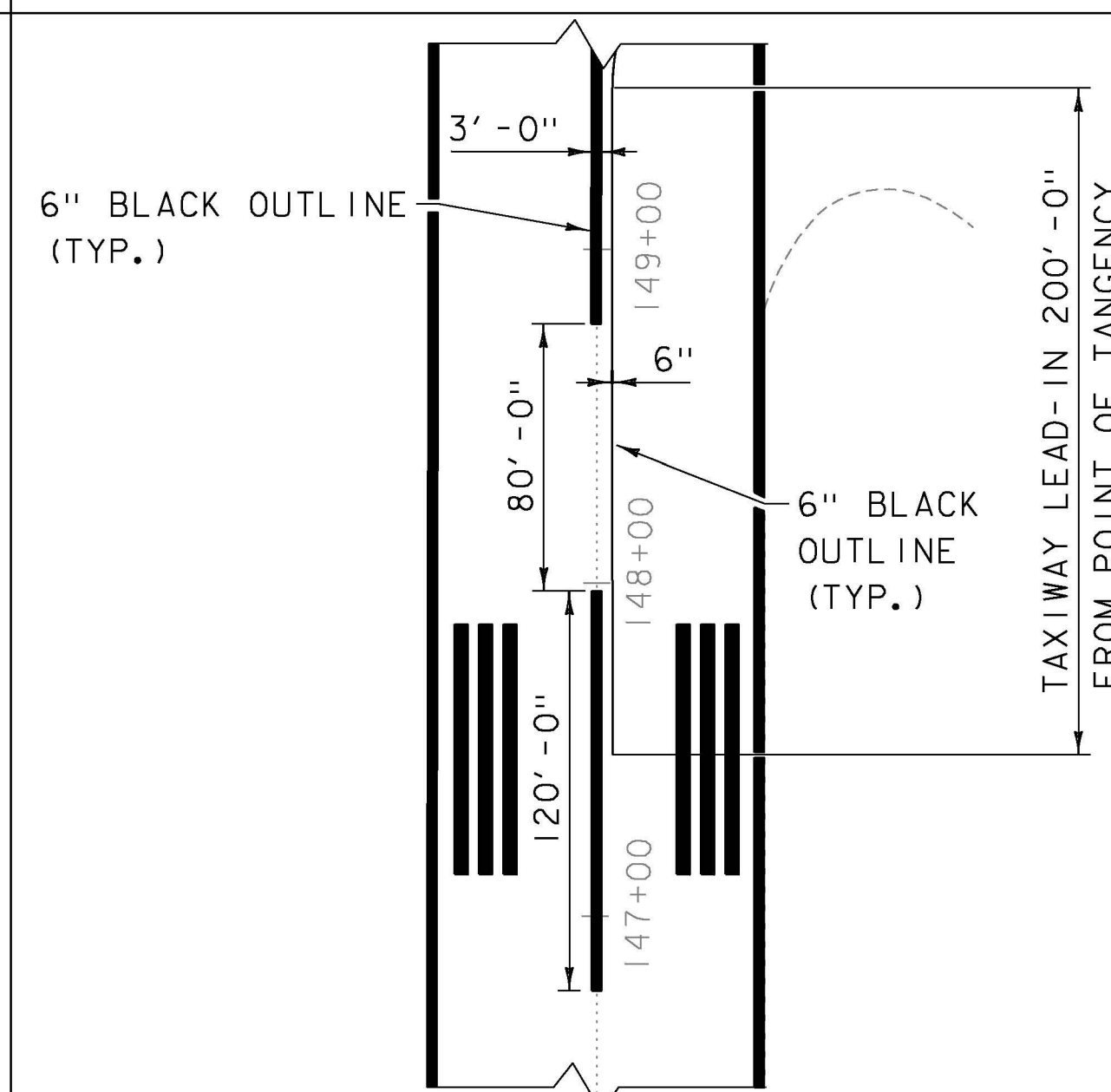
DETAIL D
TOUCHDOWN MARKINGS (II)



DETAIL E
TOUCHDOWN MARKINGS (III)



DETAIL F
THRESHOLD MARKING



DETAIL G
CENTERLINE STRIPE AND
TAXIWAY LEAD-IN

- NOTES
1. CONTRACTOR RESPONSIBLE FOR ALL LAYOUT.
 2. ALL RUNWAY MARKINGS TO BE WHITE AND OUTLINED WITH 6" BLACK.
 3. ALL TAXIWAY MARKINGS TO BE YELLOW AND OUTLINED WITH 6" BLACK.

REFERENCE:
FAA AC 150/5340-1K



AIP 3-50-0015-34

VERMONT AGENCY OF TRANSPORTATION

URS
URS CORPORATION
3 CORPORATE DRIVE, SUITE 203
CLIFTON PARK, NY 12065
(518) 688-0015

PROJECT NAME: RUTLAND SOUTHERN VERMONT REGIONAL AIRPORT
CLARENDON, VERMONT
PROJECT NUMBER: AV14-8018-300
FILE NAME: z07h124detail_rwysmp.dgn PLOT DATE: 6/2/2013
PROJECT LEADER: F. WALSH DRAWN BY: M. WASSON
DESIGNED BY: G. D'AMICO CHECKED BY:
RUNWAY MARKING PLAN - DETAILS SHEET 18 OF 36

PROJECT RECORD DRAWINGS