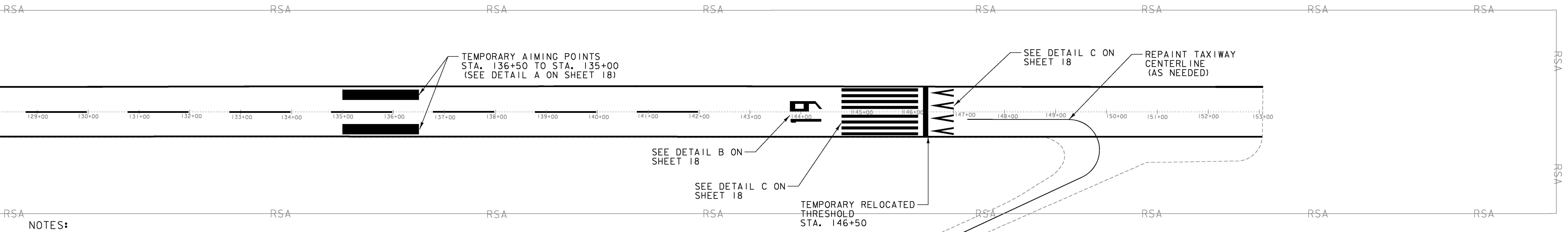
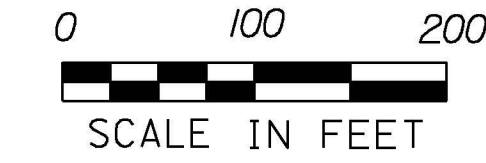


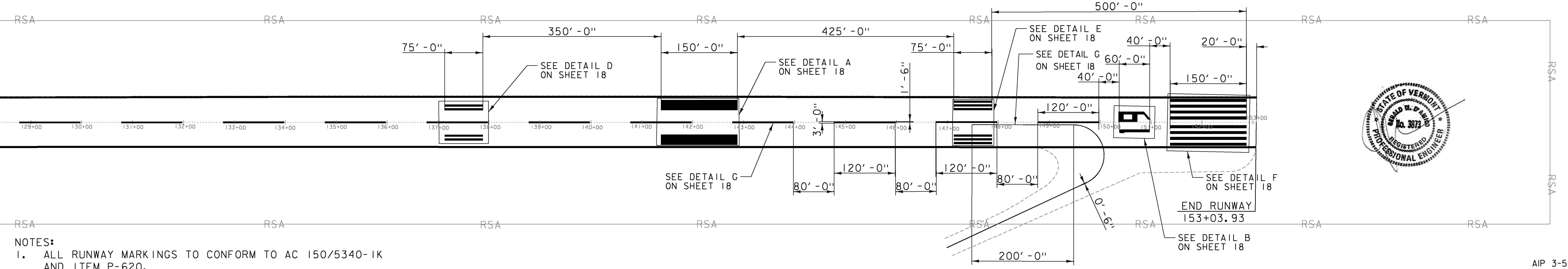
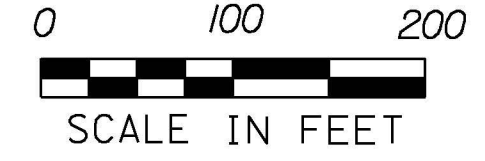
- NOTES:
1. PHASE 2 EXISTING MARKINGS TO BE REMOVED USING EITHER WATERBLAST OR CHEMICAL REMOVAL.
 2. REMOVAL OF PAVEMENT MARKINGS TO BE PAID FOR UNDER P-620-5.3.

EXISTING MARKINGS



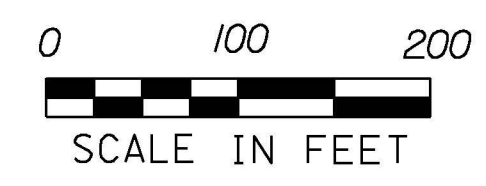
- NOTES:
1. ALL RUNWAY MARKINGS TO CONFORM TO AC 150/5340-1K AND ITEM P-620.
 2. TEMPORARY DISPLACED THRESHOLD MARKINGS AND AIMING POINTS TO BE WHITE AND OUTLINED WITH 6" BLACK.
 3. TAXIWAY CENTERLINE TO BE YELLOW AND OUTLINED WITH 6" BLACK.
 4. CONTRACTOR RESPONSIBLE FOR ALL LAYOUT.

TEMPORARY DISPLACED THRESHOLD MARKINGS
ITEM P-620-5.1



- NOTES:
1. ALL RUNWAY MARKINGS TO CONFORM TO AC 150/5340-1K AND ITEM P-620.
 2. ALL TEMPORARY DISPLACED THRESHOLD MARKINGS AND AIMING POINTS TO BE REMOVED COMPLETELY USING EITHER WATERBLASTING OR CHEMICAL REMOVAL.
 3. REMOVAL OF DISPLACED THRESHOLD MARKINGS AND AIMING POINTS TO BE PAID FOR UNDER ITEM P-620-5.3.
 4. ALL RUNWAY MARKINGS TO BE WHITE AND OUTLINED WITH 6" BLACK.
 5. TAXIWAY CENTERLINE AND LEAD-IN LINE TO BE YELLOW AND OUTLINED WITH 6" BLACK.
 6. CONTRACTOR RESPONSIBLE FOR ALL LAYOUT.

FINAL MARKINGS
ITEM P-620-5.2



VERMONT AGENCY OF TRANSPORTATION

URS
URS CORPORATION
3 CORPORATE DRIVE, SUITE 203
CLIFTON PARK, NY 12065
(518) 688-0015

PROJECT NAME: RUTLAND SOUTHERN VERMONT REGIONAL AIRPORT
CLARENDON, VERMONT
PROJECT NUMBER: AV14-8018-300
FILE NAME: z07h124smp_rwy.dgn
PROJECT LEADER: F. WALSH
DESIGNED BY: G. D'AMICO
RUNWAY MARKING PLAN
PLOT DATE: 6/2/2013
DRAWN BY: M. WASSON
CHECKED BY:
SHEET 17 OF 36

AIP 3-50-0015-34

6/2/2013 P:\CADD\Consultants\z07h124smp_rwy.dgn