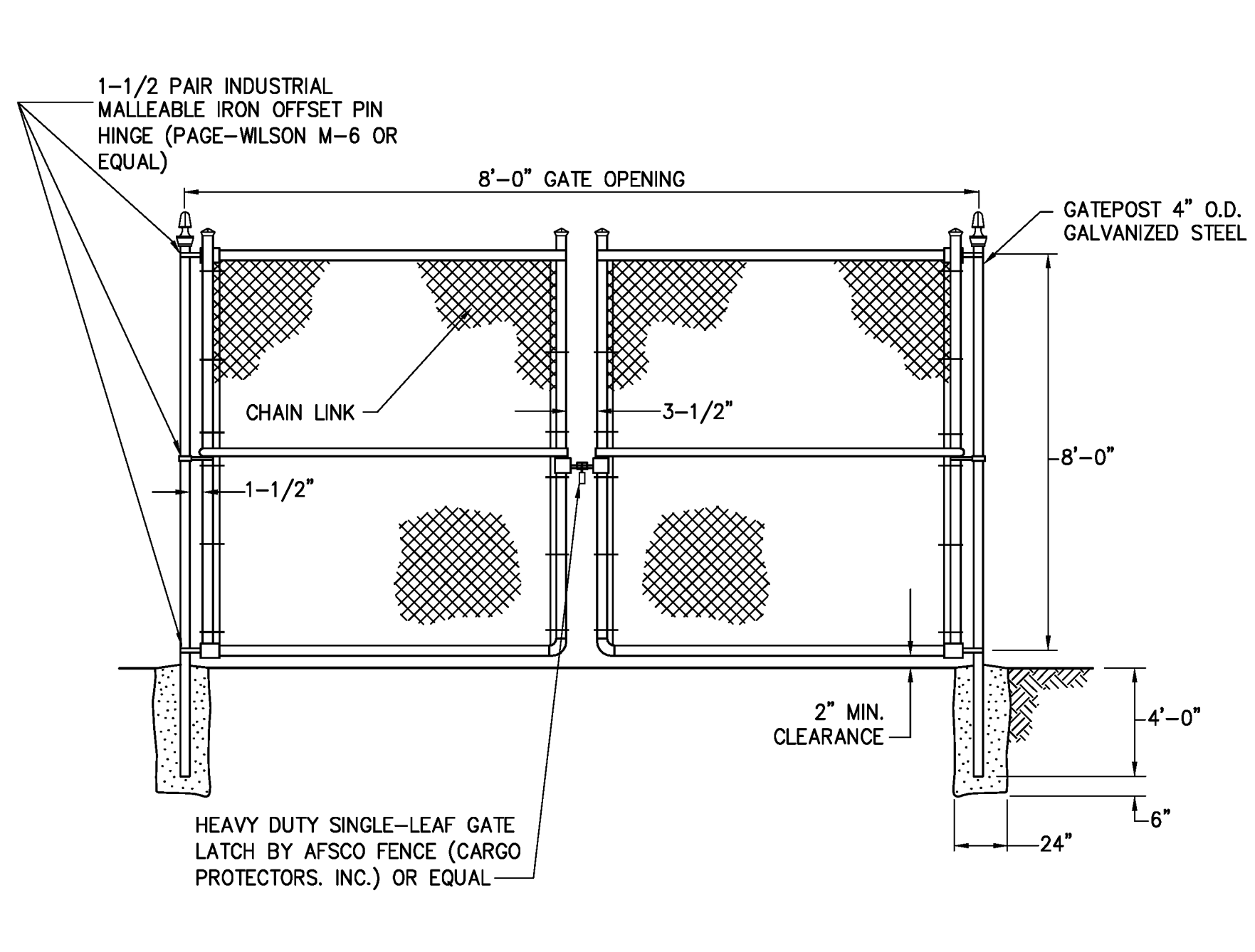
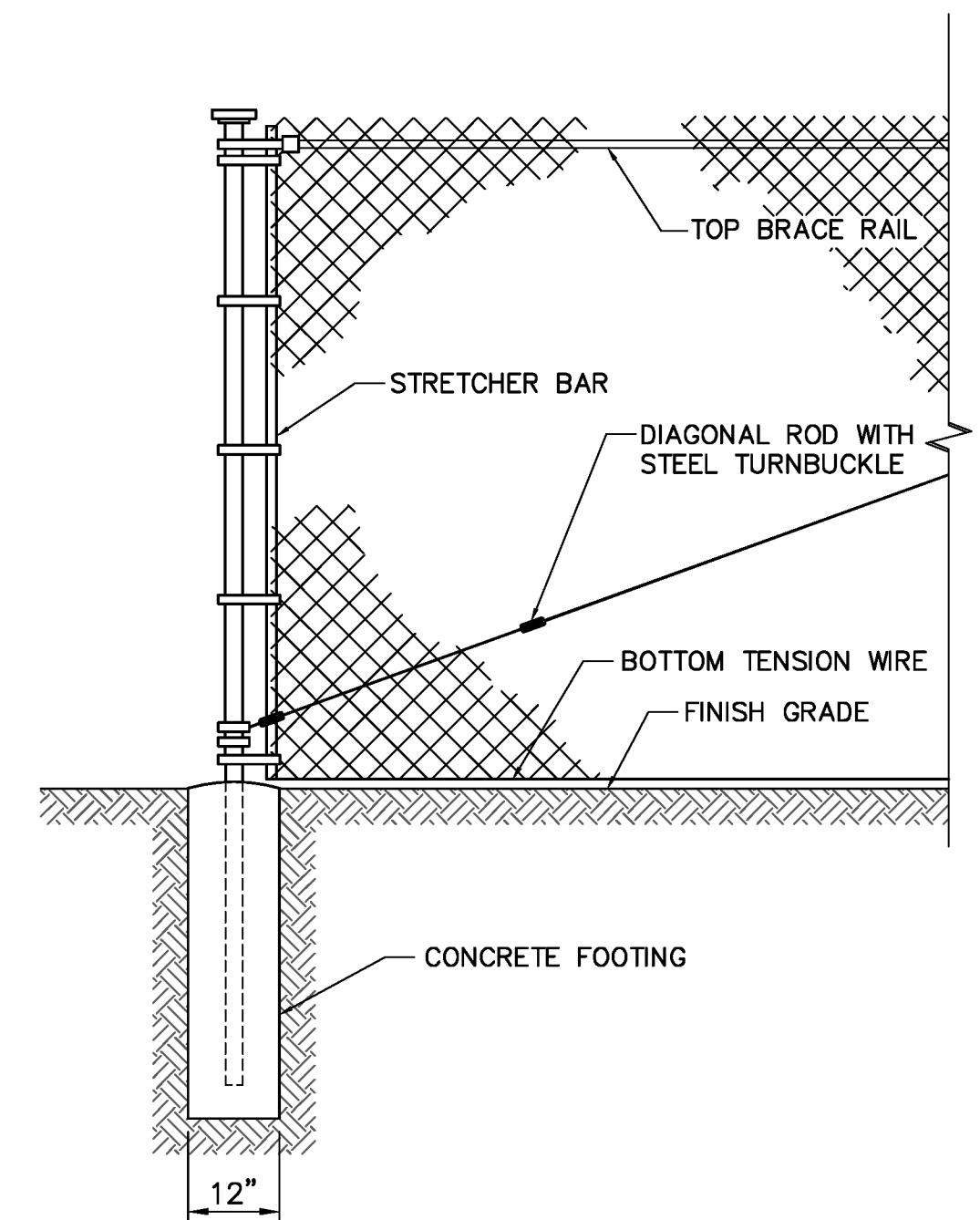


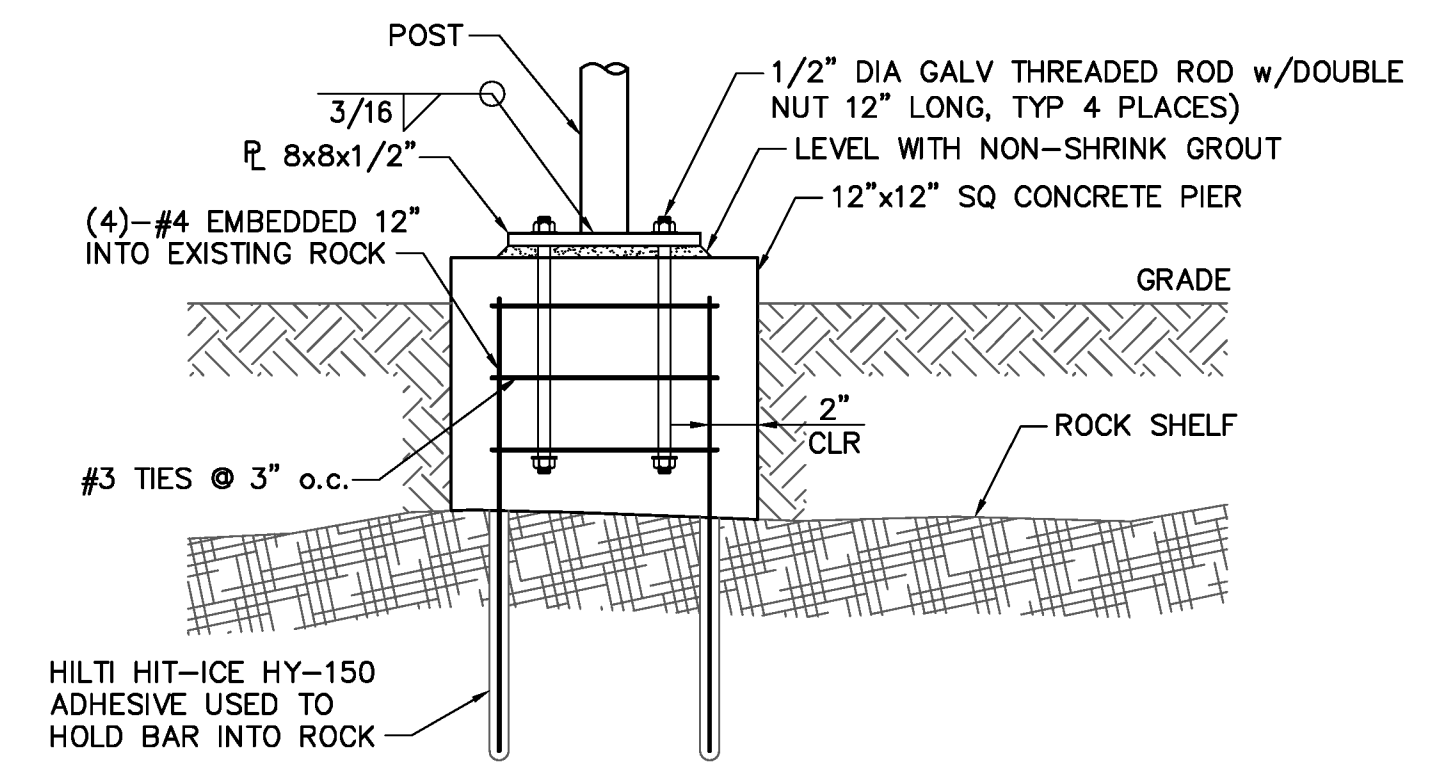
File: V:\PROJECTS\AVIA\21674\CAAD\ACAD\...SHEET_FILES\S102-21674.DWG
 Saved: 1/4/2013 4:19:14 PM Printed: 1/4/2013 4:31:44 PM User: Wj4 - Heather LastSavedBy: 2789



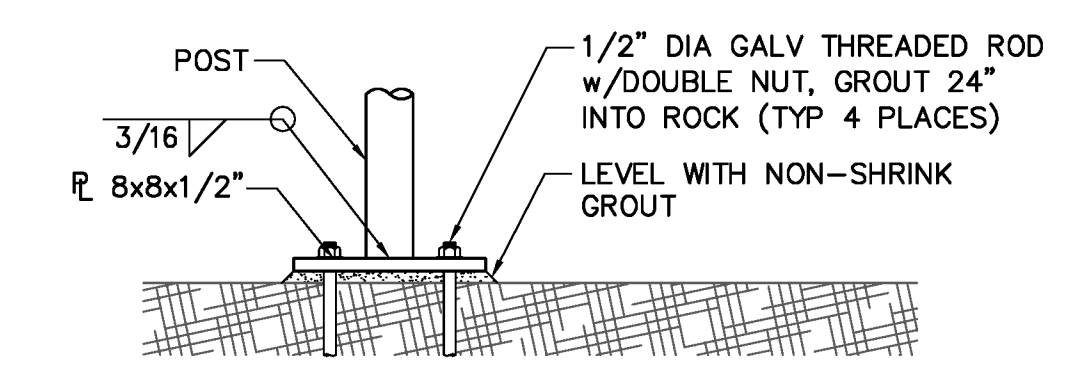
FENCE SWING GATE DETAIL (SOIL CONDITION)
 SCALE: NTS



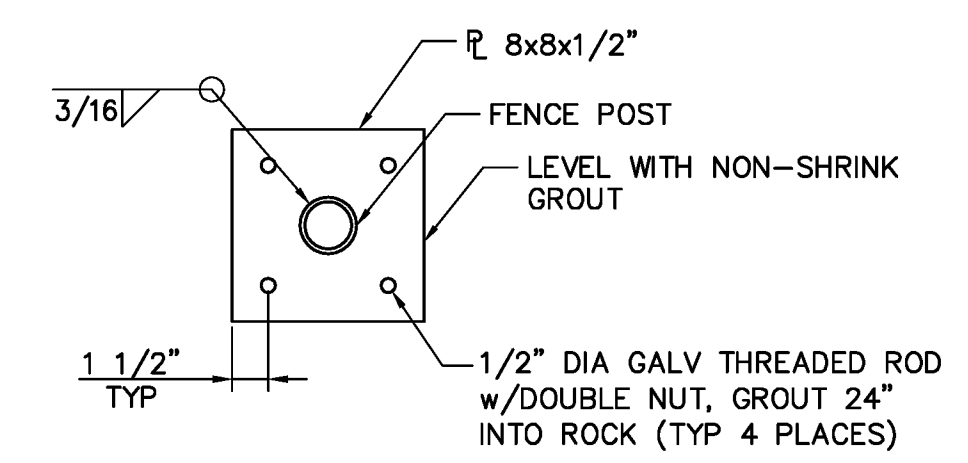
FENCE CORNER, GATE, END OR PULL POST (SOIL CONDITION)
 SCALE: NTS



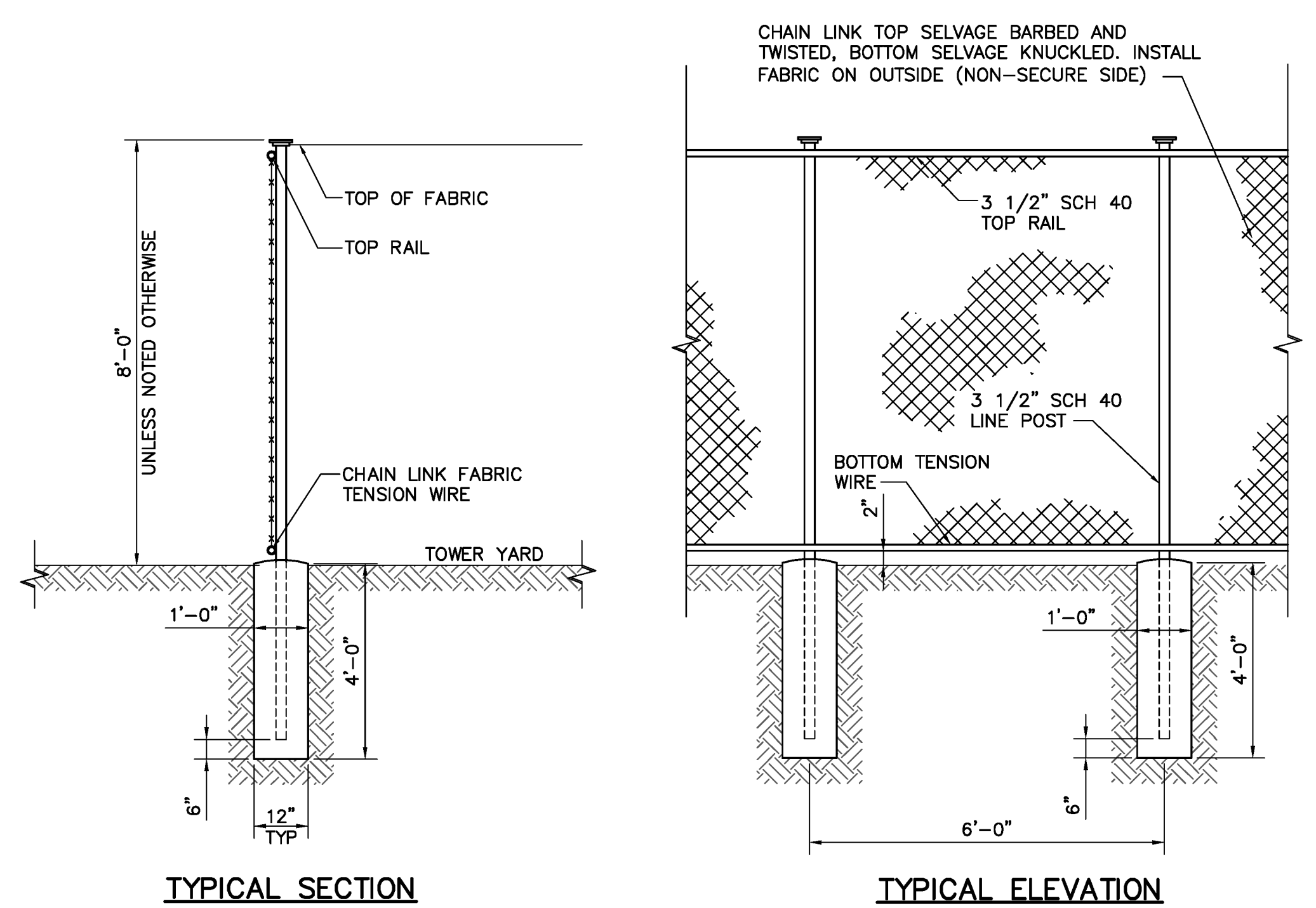
FENCE BASEPLATE ELEVATION TO SUBGRADE ROCK
 NOT TO SCALE



FENCE BASEPLATE ELEVATION AT ROCK
 NOT TO SCALE



FENCE BASEPLATE DETAIL AT ROCK
 NOT TO SCALE



WOVEN WIRE FENCE DETAIL (SOIL CONDITION)
 SCALE: NTS

TYPICAL SECTION

TYPICAL ELEVATION

App'd By	Date
HAW	01/07/13
Submit / Revision	
RECORD DRAWINGS	

STATE OF VERMONT
 AGENCY OF TRANSPORTATION

UNAUTHORIZED ALTERATION OR ADDITION OF ANY INFORMATION TO THIS DRAWING IS PROHIBITED AND IS SUBJECT TO APPLICABLE STATE AND/OR LOCAL LAWS

Designed: JUS Drawn: BAS Checked: DD

CHIA
 Copyright © 2011
 III Winners Circle, PO Box 5089 - Albany, NY 12205-0289
 Main: (518) 453-4500 · www.chiacompanies.com

HARTNESS STATE AIRPORT
 HAZARD BEACON REPLACEMENT

STRUCTURAL DETAILS

Issue Date: 03/18/11 Project No.: 21674 Scale: As Shown

RECORD DRAWING 01/07/13

S-102