

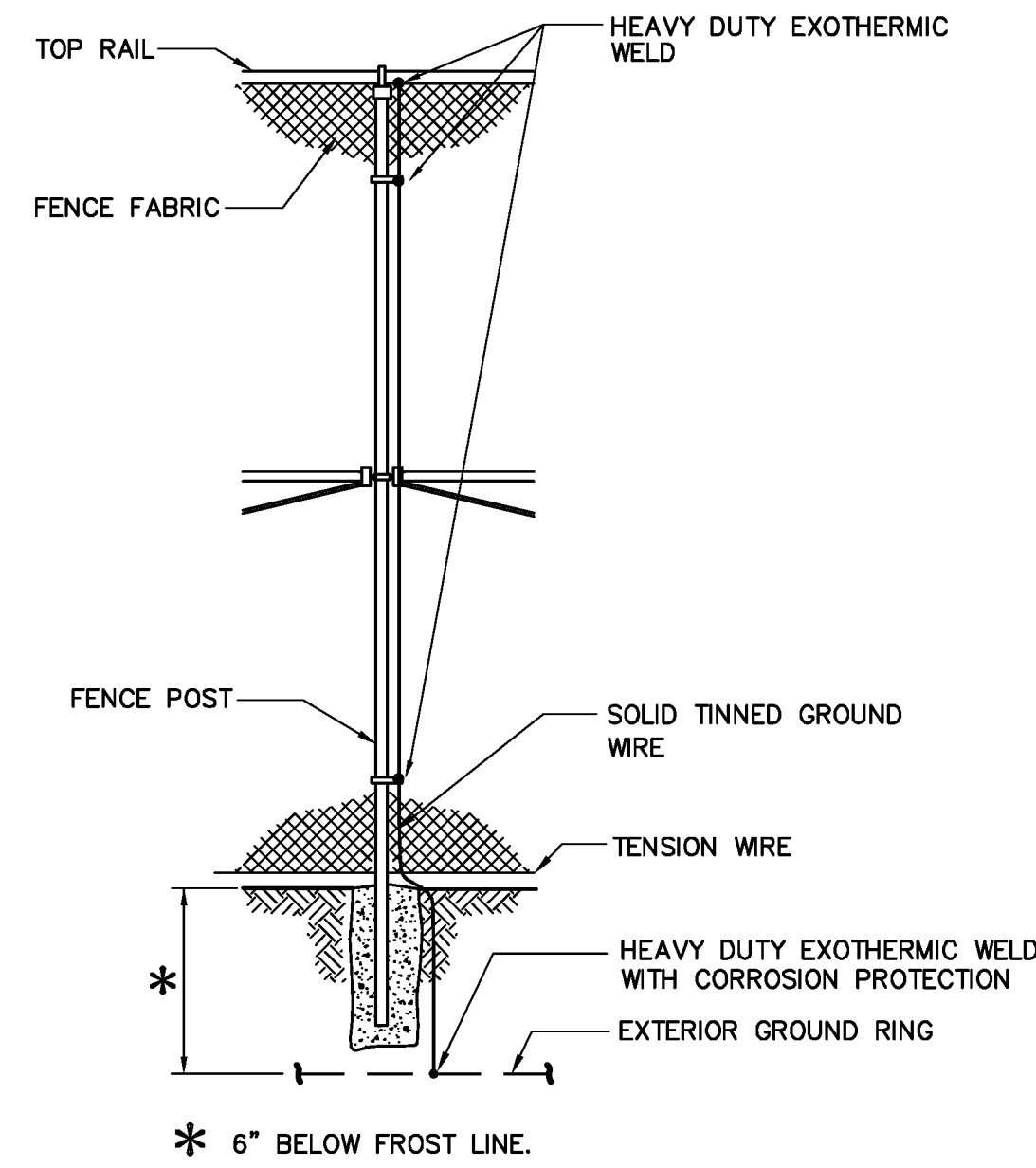
1 LED BEACON WITH REMOTE MONITORING-TOWER 1
- NOT TO SCALE

GENERAL NOTES

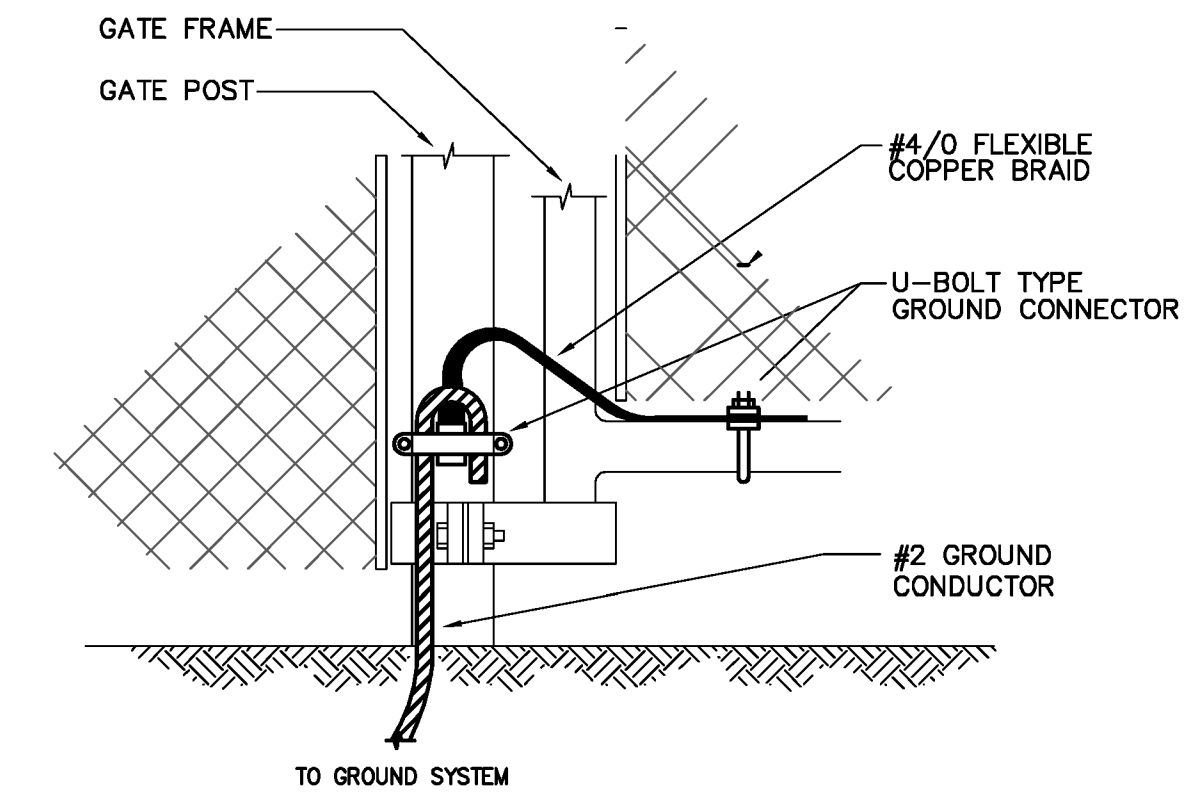
- A. ALL EQUIPMENT SUCH AS BUT NOT LIMITED TO DISCONNECT, ENCLOSURE SHALL HAVE A LOCK-OUT/TAG-OUT OPTION.
- B. USE RGS CONDUIT UNLESS OTHERWISE NOTED.
- C. CUTTING, DRILLING AND WELDING TOWER IS PROHIBITED.

CODED NOTES

- ① PROVIDE GROUNDING WITH #8 THWN-2 AND (1) 5/8"x10' COPPER CLAD GROUND ROD. GROUND ROD SHALL BE DRIVEN TO A DEPTH OF 2'-0" BELOW FINISH GRADE AND CONNECTION SHALL BE MADE BY EXOTHERMIC METHODS WHEN ENCOUNTERED WITH BEDROCK USE GROUND PLATE. SEE DETAIL 4 ON THIS DRAWING.
- ② REMOVE EXISTING HAZARD BEACON AND PROVIDE FAA APPROVED LED HAZARD BEACON (FARLIGHT NY-L864LED-DM-120A-GPS-AK OR APPROVED EQUAL). POWER CONSUMPTION EQUAL LESS THAN 10W (AVERAGE). SET HAZARD BEACON TO OPERATE IN THE FLASHING MODE.
- ③ PROVIDE LOW VOLTAGE OUTDOOR [UL LISTED WET LOCATION] RATED FAA APPROVED 6390 PHOTOCELL ON ENCLOSURE FOR EASE OF REPAIR AND PER OWNERS DIRECTION. COORDINATE EXACT LOCATION AT FIELD. REFER TO WIRING DIAGRAM IN FARLIGHT'S LED BEACON MANUAL.
- ④ PROVIDE REMOTE MONITORING SYSTEM. COMPLETE SYSTEM SHALL INCLUDE BUT NOT LIMITED TO POWER SUPPLY (24VDC), CELLULAR MODEM, DAQ, LIGHT TEST SWITCH AND COMMISSIONING OF SYSTEM TO OWNER. CONTACT NORTHMARK COMMUNICATIONS, DAVE COLTER, TELEPHONE: (603)763-4962 OR (603)763-4976, EMAIL: NORTHMARK@MYFAIRPOINT.NET.
- ⑤ PROVIDE NEMA 4X ENCLOSURE (HOFFMAN A24H2412SS6LP OR APPROVED EQUAL) WITH INTEGRAL MOUNTING PLATE (HOFFMAN A24P24SS6) AND (2) FILTERED VENTILATION LOUVERS. LOCATE LOUVERS ON BOTTOM OF ENCLOSURE ONE ON EACH SIDE (HOFFMAN AVK44 OR APPROVED EQUAL) AND (2) RAIN SHROUD (HOFFMAN SH090005H OR APPROVED EQUAL). MOUNT ASSEMBLY ON TOWER AT 6'-0" AFG.
- ⑥ PROVIDE 2 POLE, 30A RATED, 250V RATED, HEAVY DUTY, FUSIBLE NEMA 4X SAFETY SWITCH WITH 2A FUSE.
- ⑦ PROVIDE (2) #8 THWN-2, (1) #8G THWN-2 IN 1" RGS CONDUIT WITH HANGERS, SUPPORTS, CLAMPS, ETC. AS REQUIRED.
- ⑧ PROVIDE SURGE PROTECTION DEVICE MANUFACTURED BY PHOENIX CONTACT (MODEL NO. PT-2-PE/S-120AC) FOR 120V AC SYSTEM.

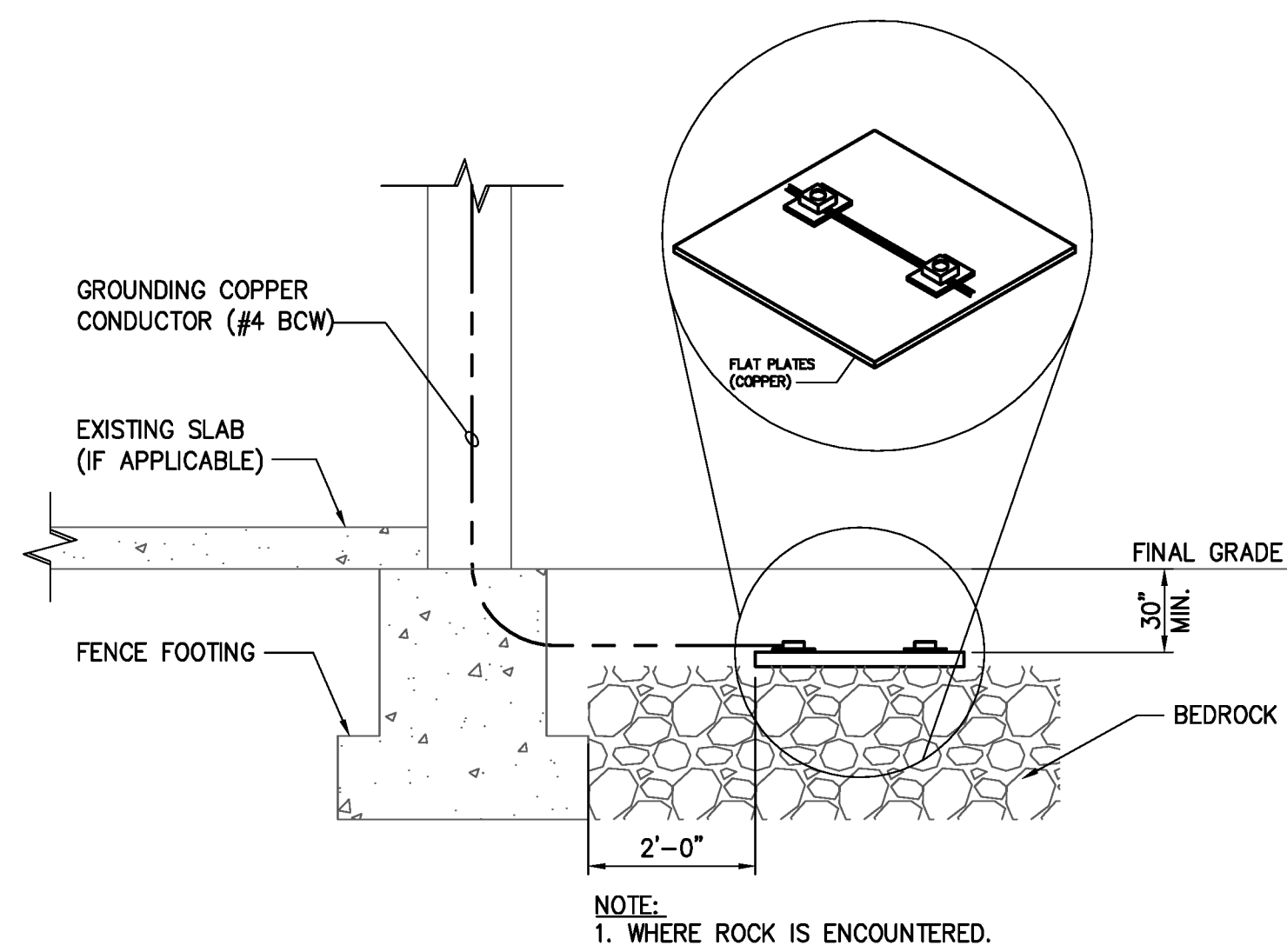


2 FENCE GROUNDING
- NOT TO SCALE

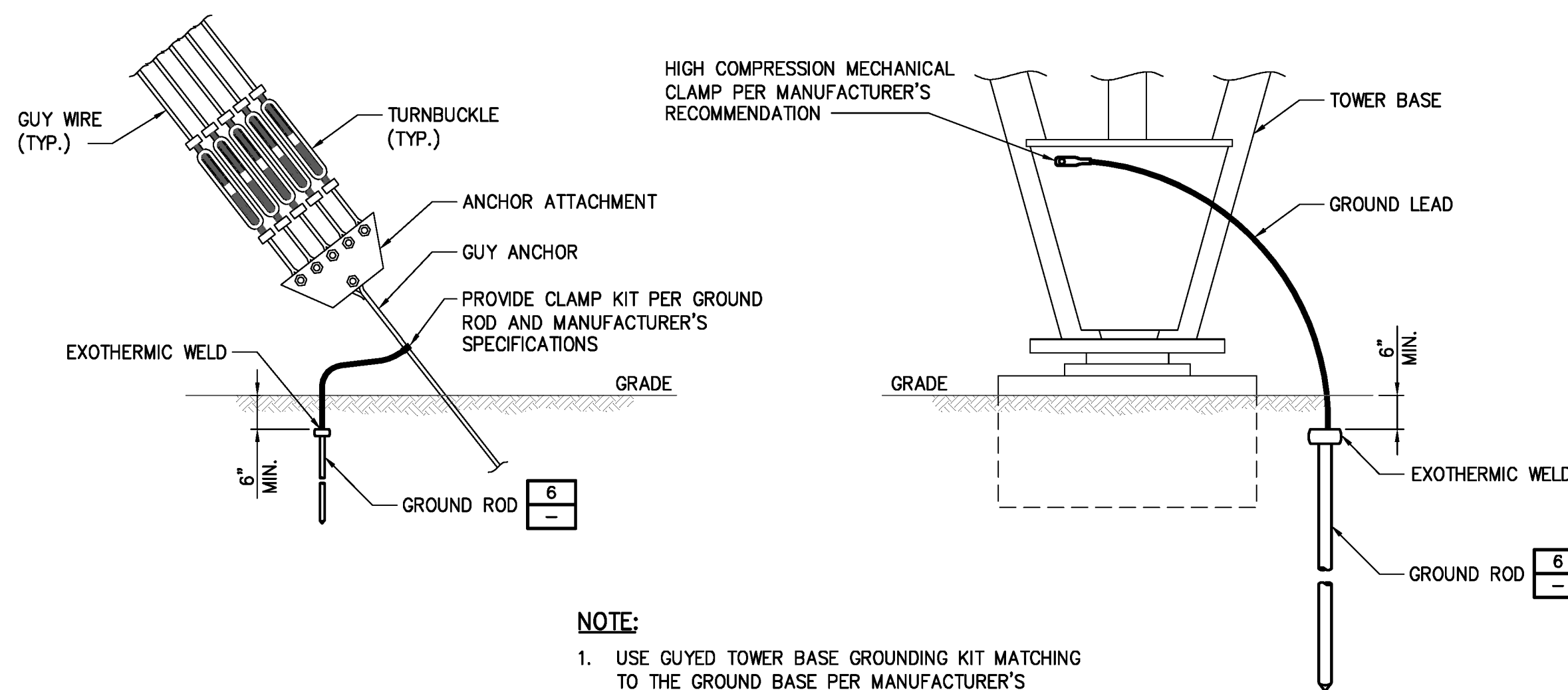


NOTE:
FENCE GROUND CONNECTIONS SHALL BE AT EACH CORNER. GATE JUMPER SHALL BE #4/0 FLEXIBLE COPPER Braid WITH SLEEVES ON EACH DESIGNED FOR EXOTHERMIC WELDING AND INSTALLED SO THAT JUMPER WILL NOT BE SUBJECTED TO DAMAGING STRAIN WHEN GATE IS FULLY OPENED IN EITHER DIRECTION.

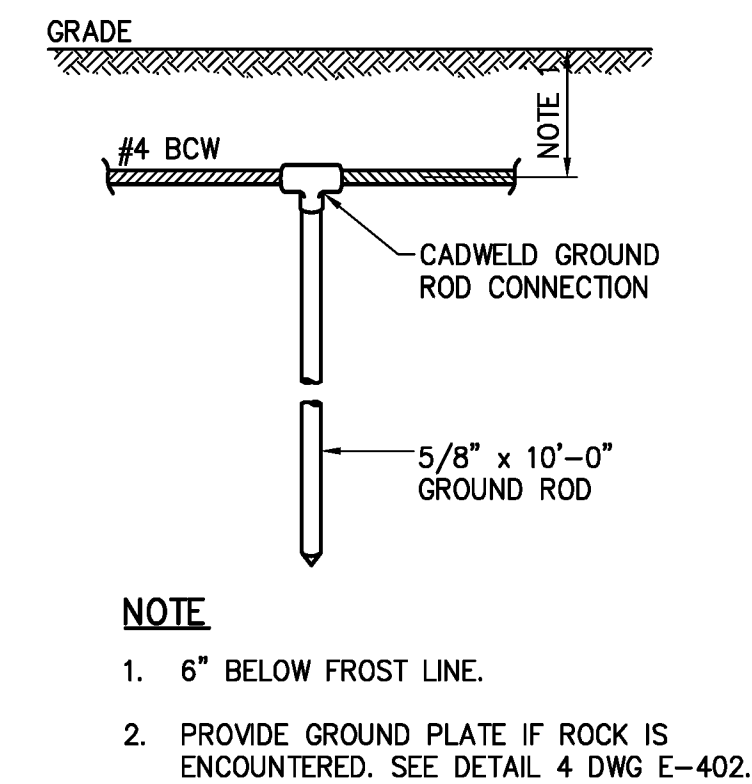
3 TYPICAL GATE - GROUNDING
- NOT TO SCALE



4 GROUNDING PLATE DETAIL
- NOT TO SCALE



5 GUYED ANCHOR AND TOWER GROUNDING DETAIL
- NOT TO SCALE



6 GROUND ROD DETAIL
- NOT TO SCALE

RECORD DRAWING 01/07/13

App'd By	Date
HAW HAW	01/07/13
Submit / Revision	
RECORD DRAWINGS	

STATE OF VERMONT
AGENCY OF TRANSPORTATION

CHA
III Winners Circle, PO Box 5089 - Albany, NY 12205-0289
Main: (518) 453-4500 · www.chacompanies.com

Designed: NUB Drawn: CJE Checked: NUB

HARTNESS STATE AIRPORT
HAZARD BEACON REPLACEMENT

ELECTRICAL DETAILS

Issue Date: 03/18/11 Project No.: 21674 Scale: As Shown

E-402

File: V:\PROJECTS\NY\21674\CADD\ACAD\SHEET_FILES\E402-21674.DWG
Saved: 1/4/2013 4:18:24 PM Plotted: 1/4/2013 4:31:03 PM User: Wylol, Heather Last Saved By: 2789