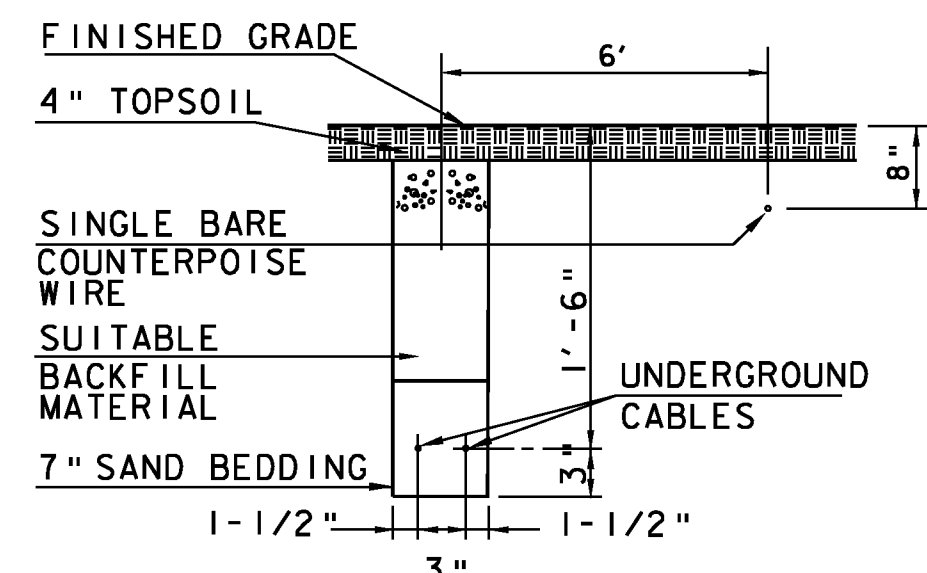
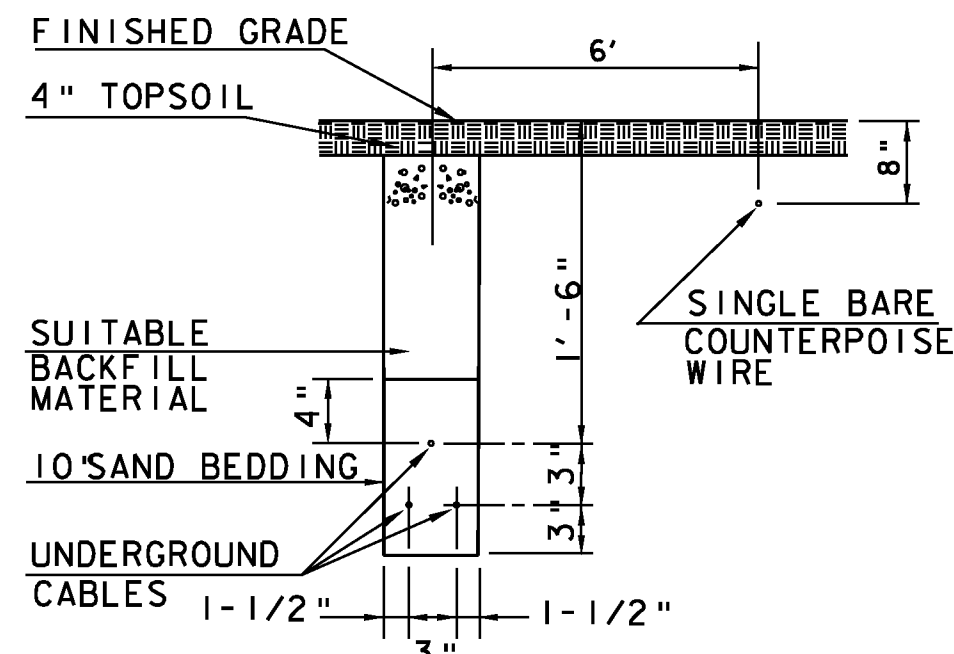


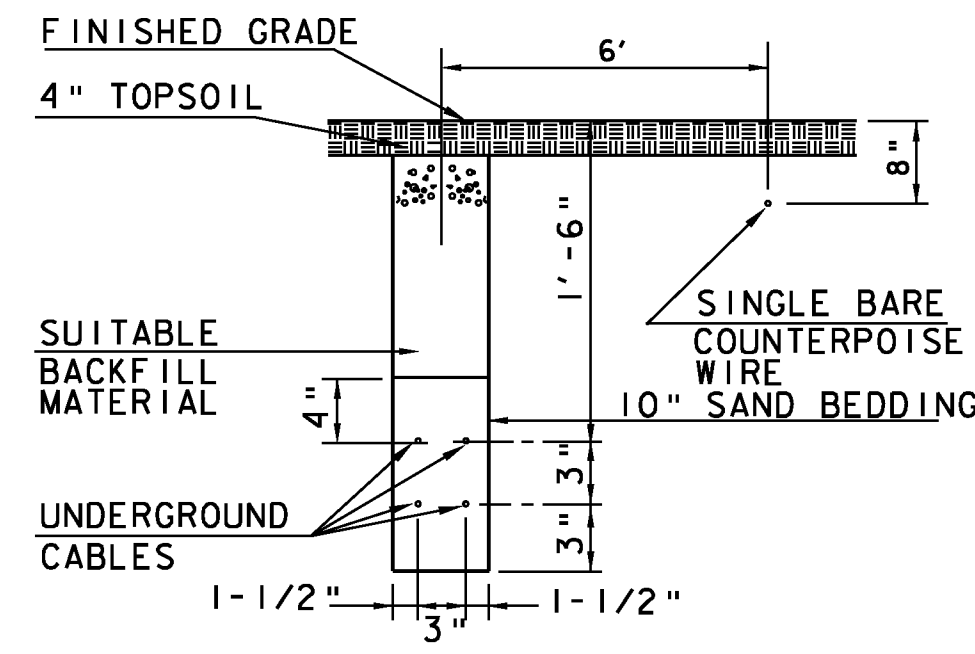
1-WAY



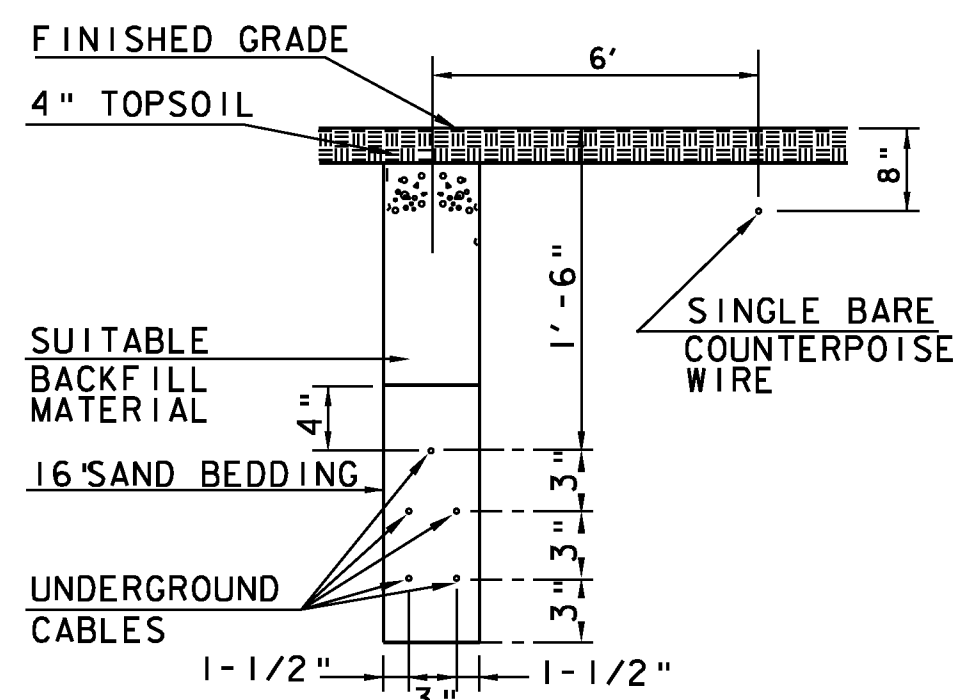
2-WAY



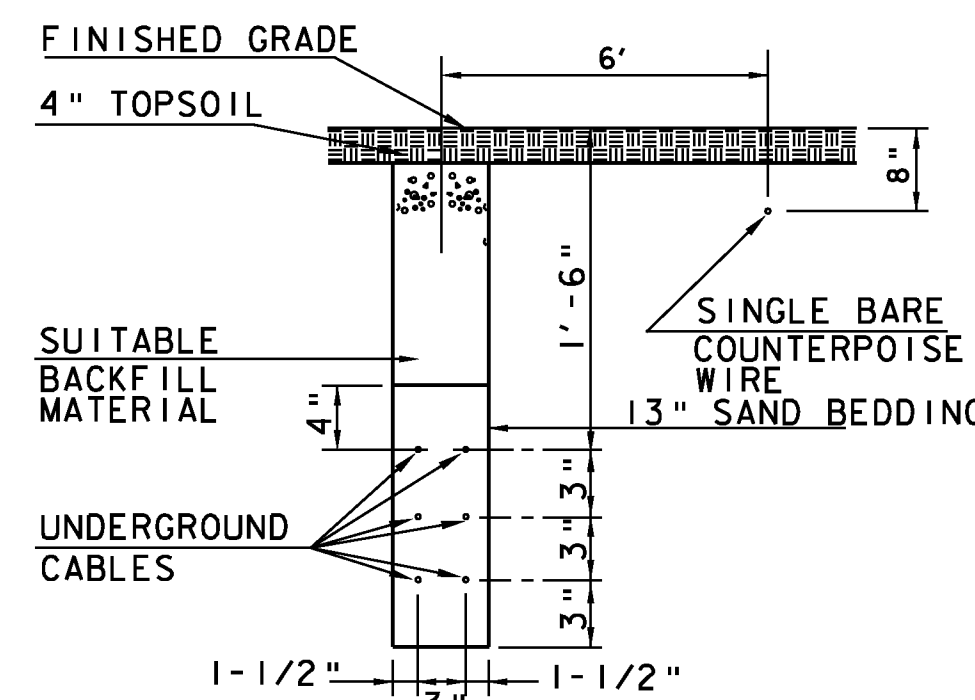
3-WAY



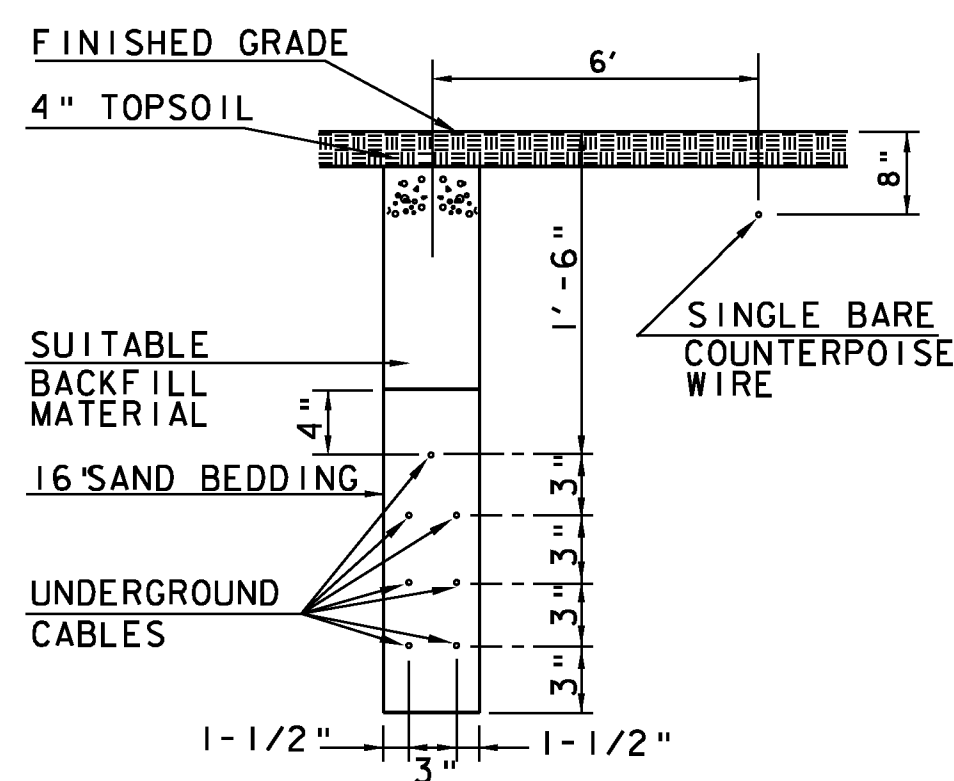
4-WAY



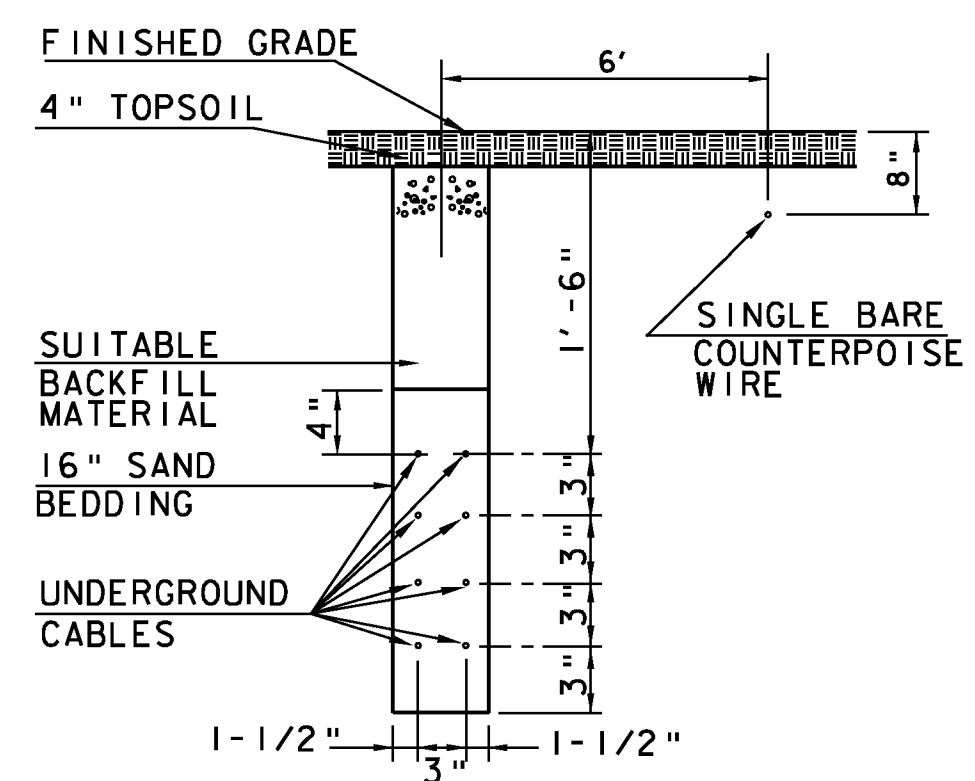
5-WAY



6-WAY

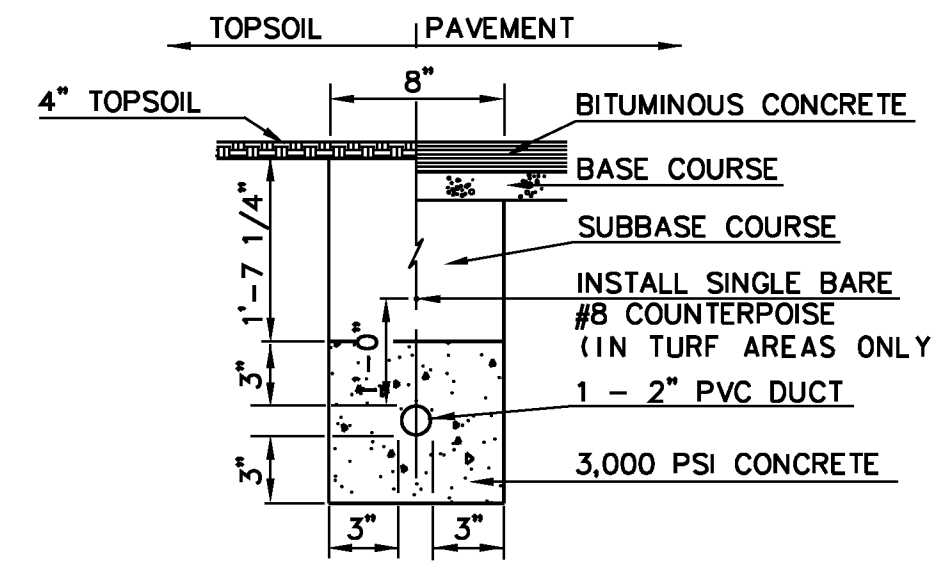


7-WAY

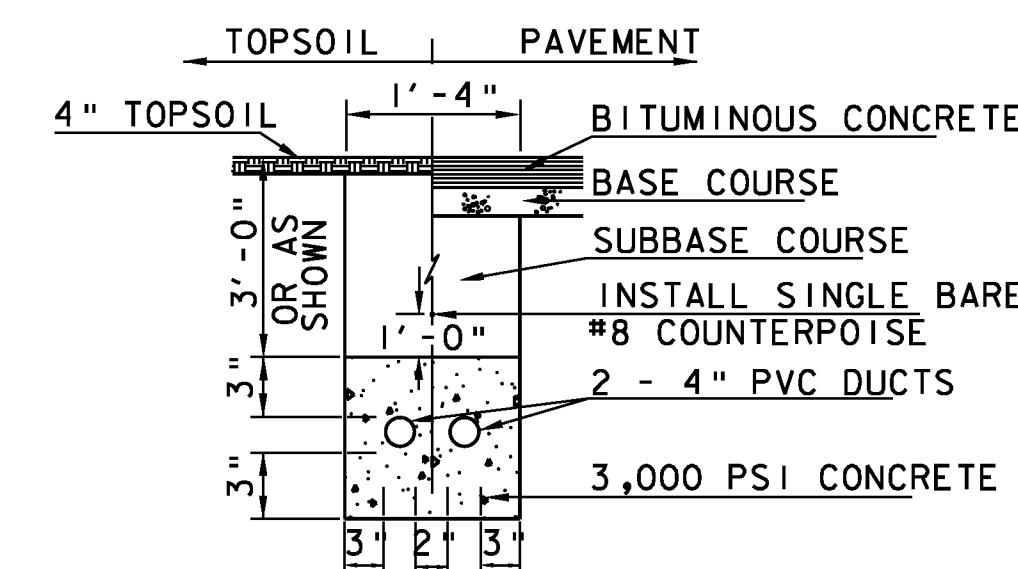


8-WAY

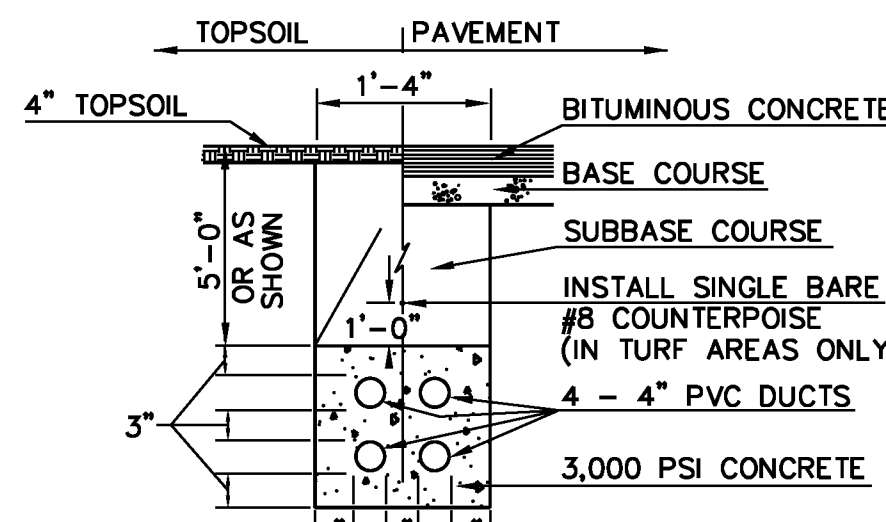
CABLE TRENCH DETAILS
NOT TO SCALE



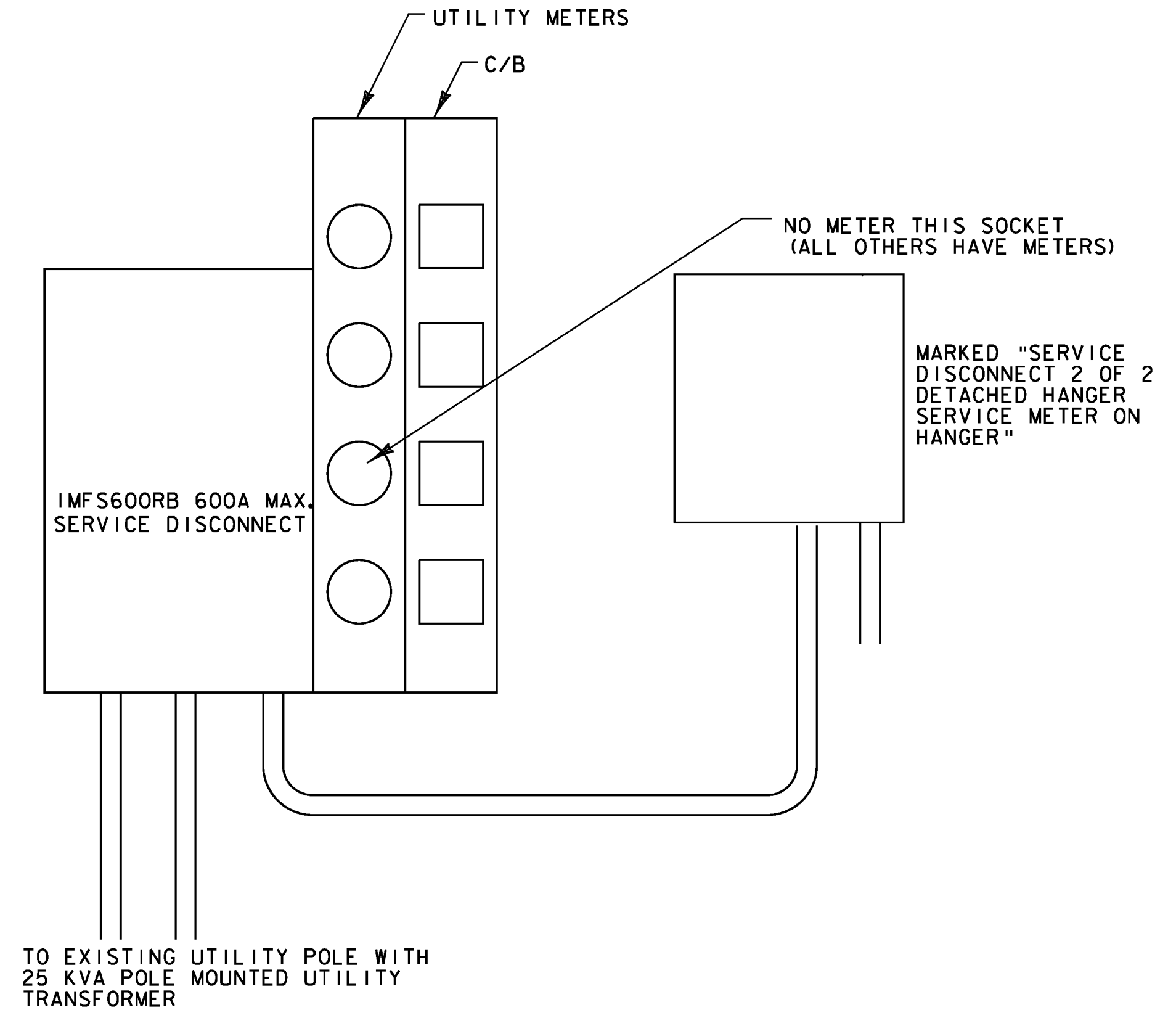
2"-1WAY
CONC. ENC. DUCT
NOT TO SCALE



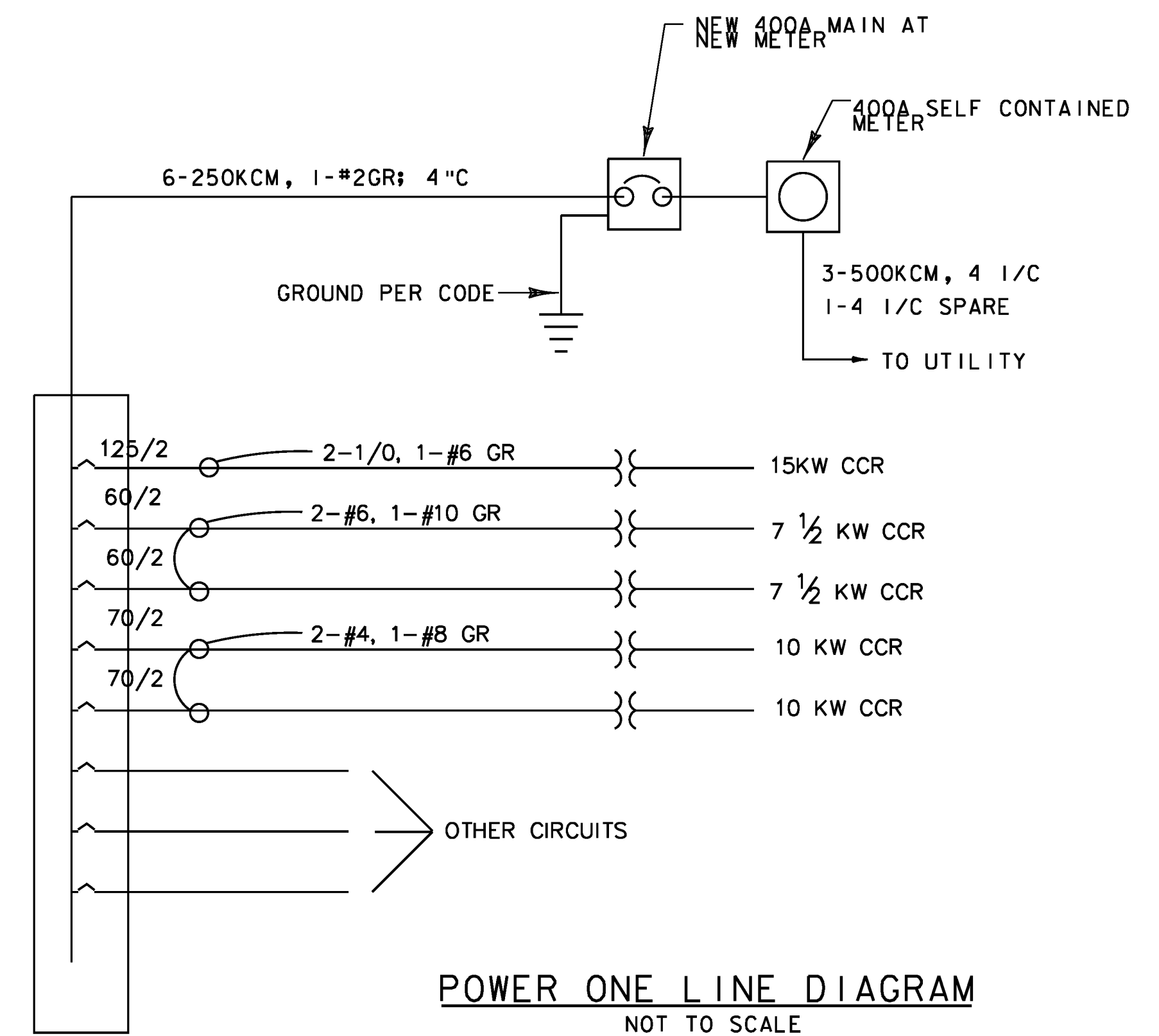
4"-2WAY
CONC. ENCASED DUCT
NOT TO SCALE



4"-4WAY
CONC. ENCASED DUCT
NOT TO SCALE



EXISTING SERVICE METERING EQUIPMENT
NOT TO SCALE



POWER ONE LINE DIAGRAM
NOT TO SCALE

Hoyle, Tanner & Associates, Inc.

150 Dow Street
Manchester, NH 03101-1227
Tel 603-669-5555
Fax 603-669-4168
Web Page: www.hoyletanner.com
Hoyle, Tanner & Associates © 2008

PROJECT NAME: E. F. KNAPP STATE AIRPORT
A.I.P. 3-50-0001-011-2009
PROJECT NUMBER: BERLIN AIR 04-3216

FILE NAME: 302803_sht_elec_def.dgn PLOT DATE: 11/22/2011
PROJECT LEADER: S. FORTNEY DRAWN BY: D. STANDISH
DESIGNED BY: S. BOUCHARD CHECKED BY: J. DOWNAR
ELECTRICAL DETAIL SHEET 6 SHEET 109 OF 173