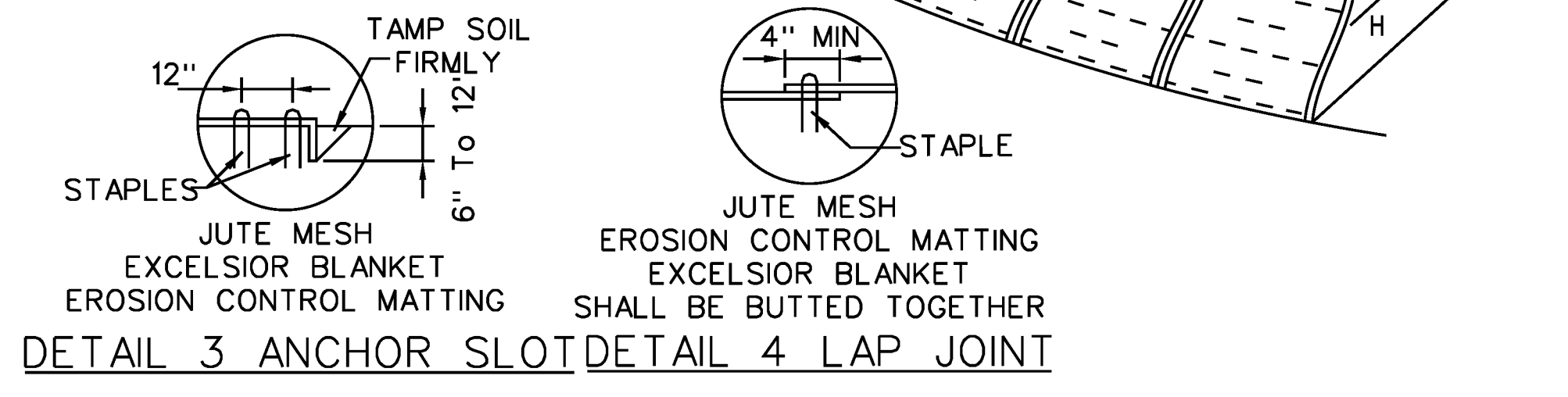
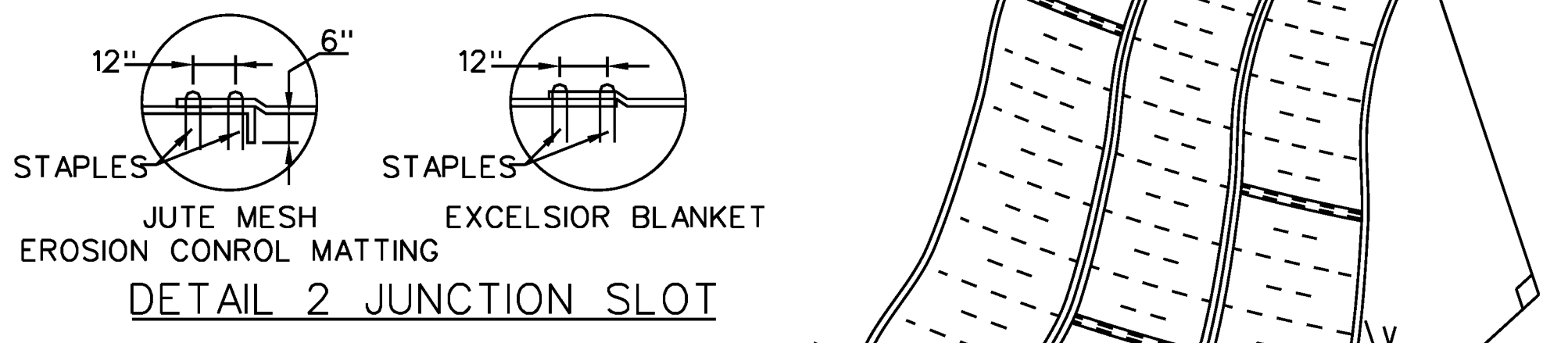
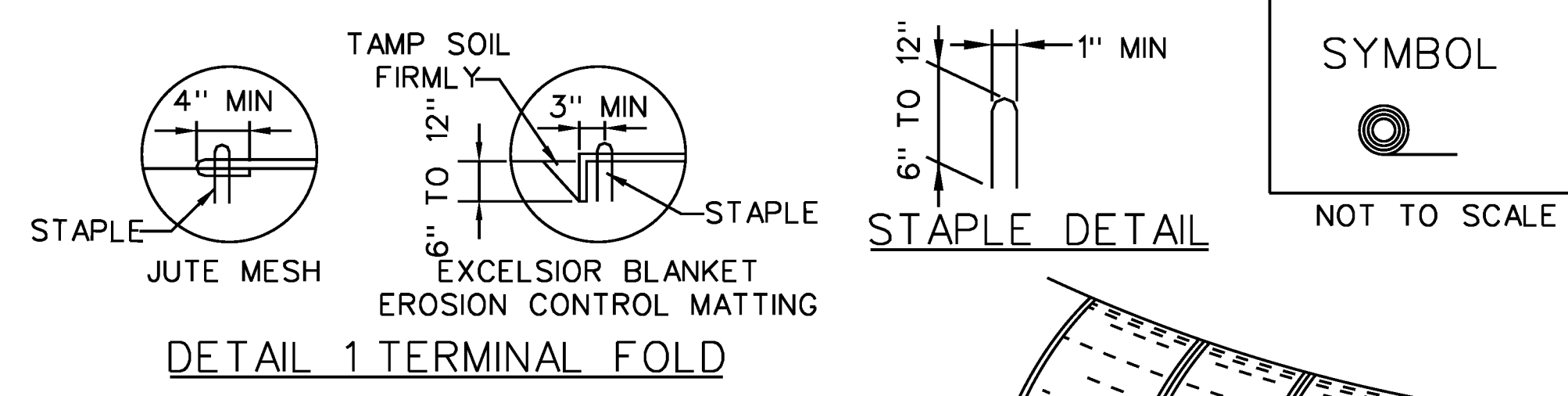


CONSTRUCTION SPECIFICATIONS

ROLLED EROSION CONTROL PRODUCT (RECP) DITCH

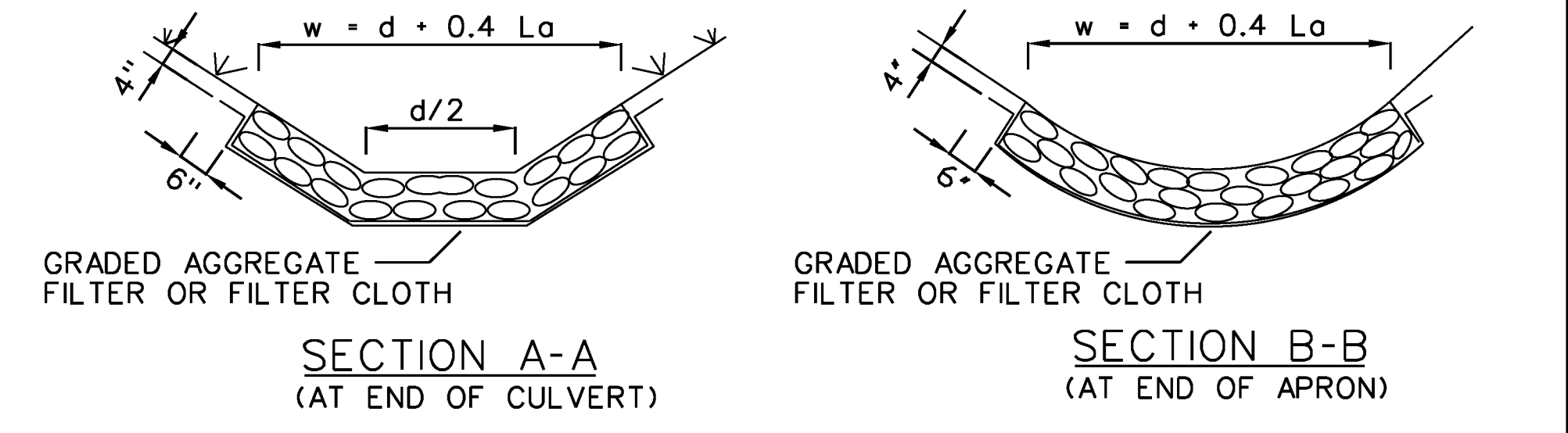
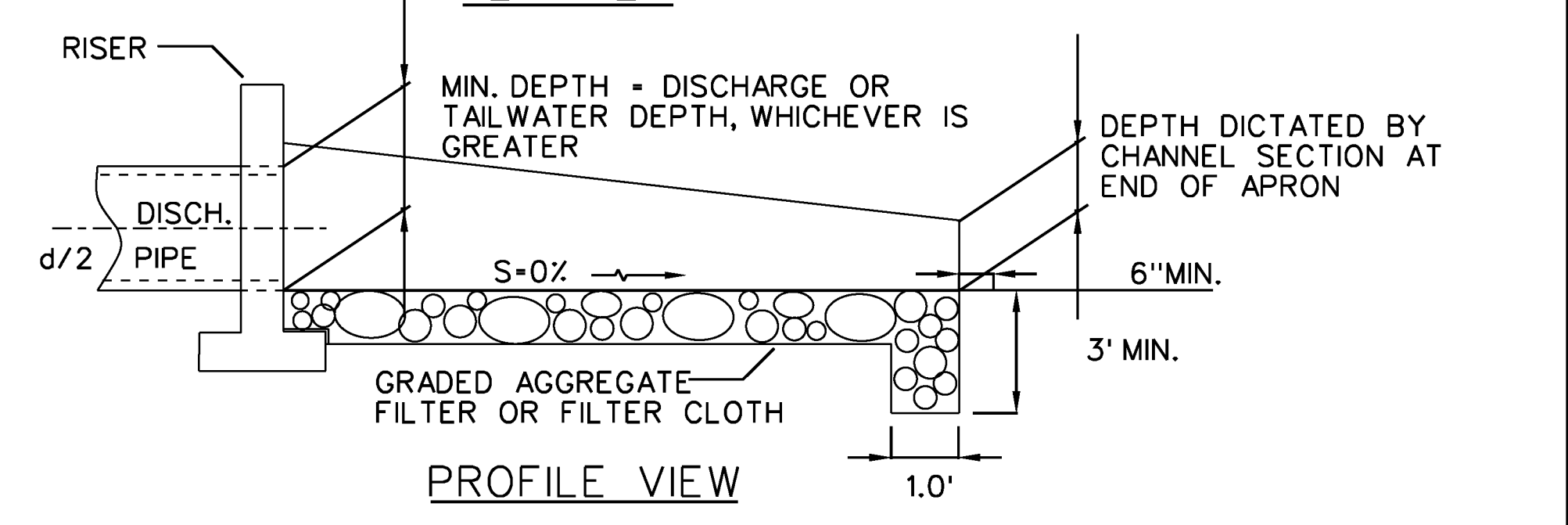
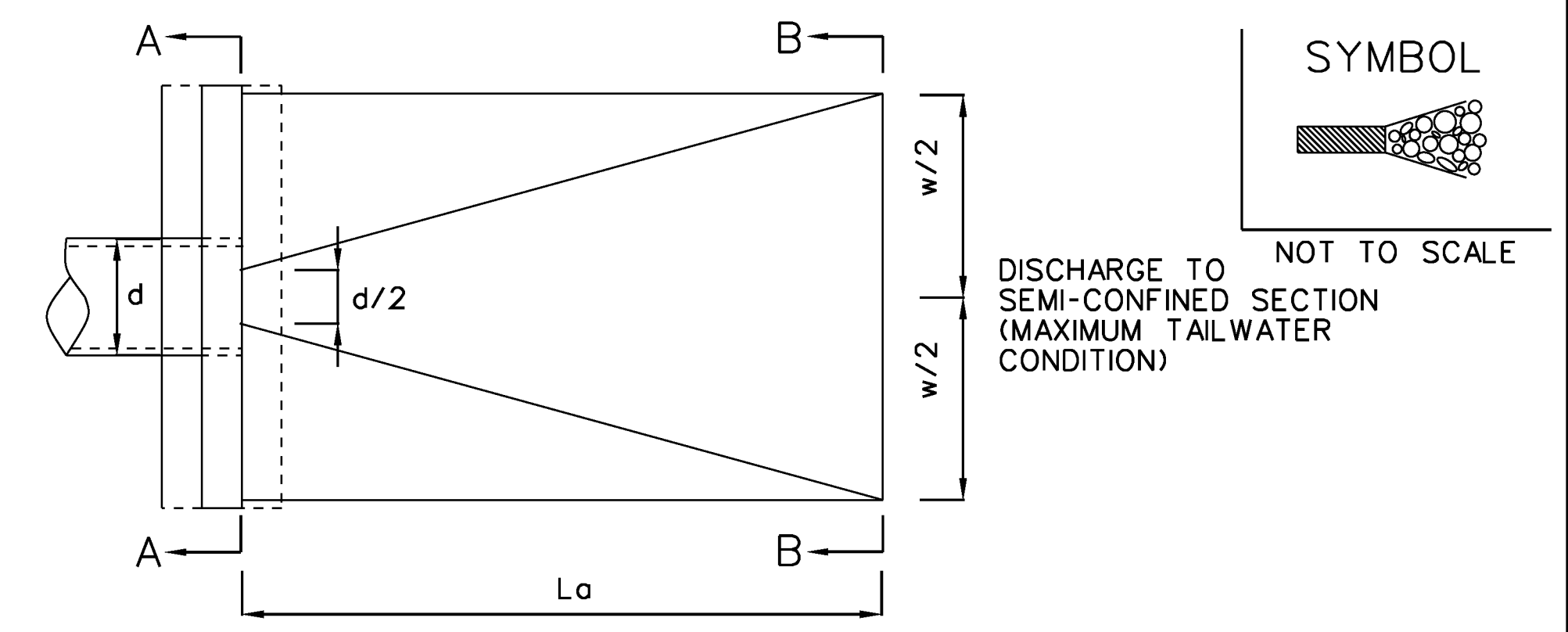
THIS ITEM SHALL BE PAID FOR UNDER ITEM P-156-4 EROSION CONTROL MATTING



CONSTRUCTION SPECIFICATIONS

ROLLED EROSION CONTROL PRODUCT (RECP) SIDE SLOPE

THIS ITEM SHALL BE PAID FOR UNDER ITEM P-156-4 EROSION CONTROL MATTING

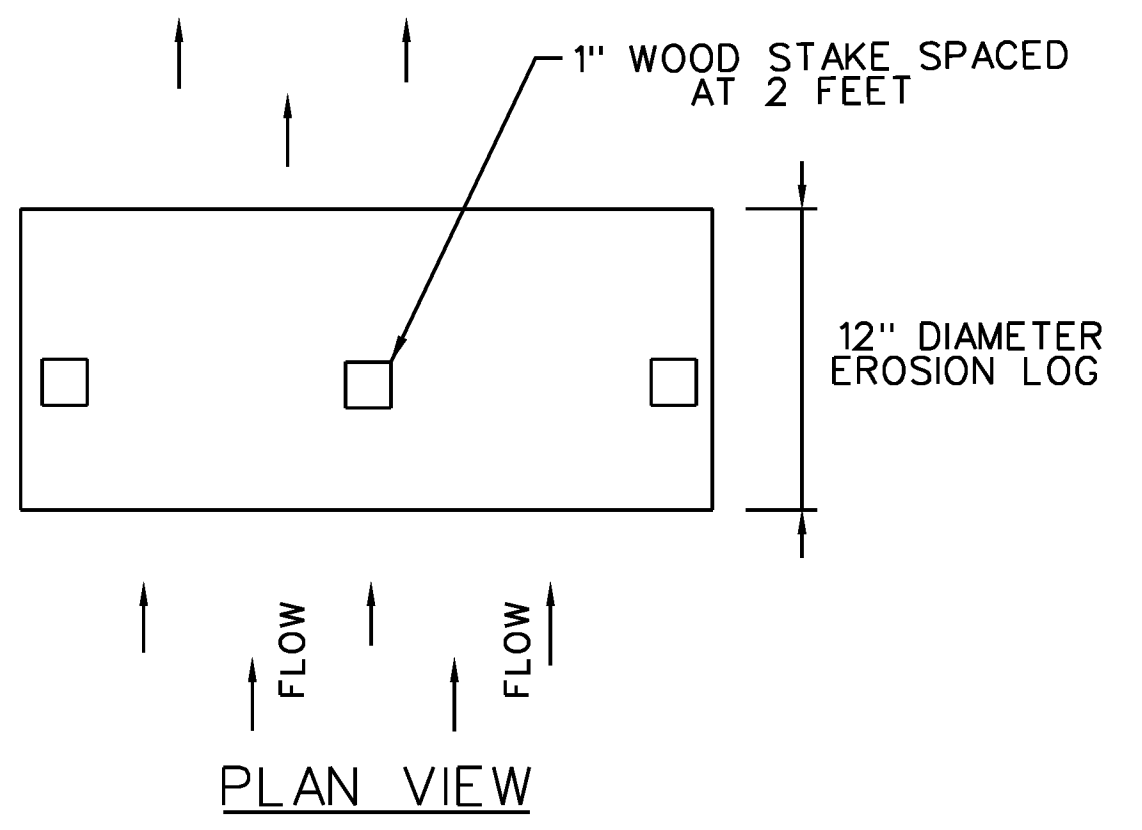
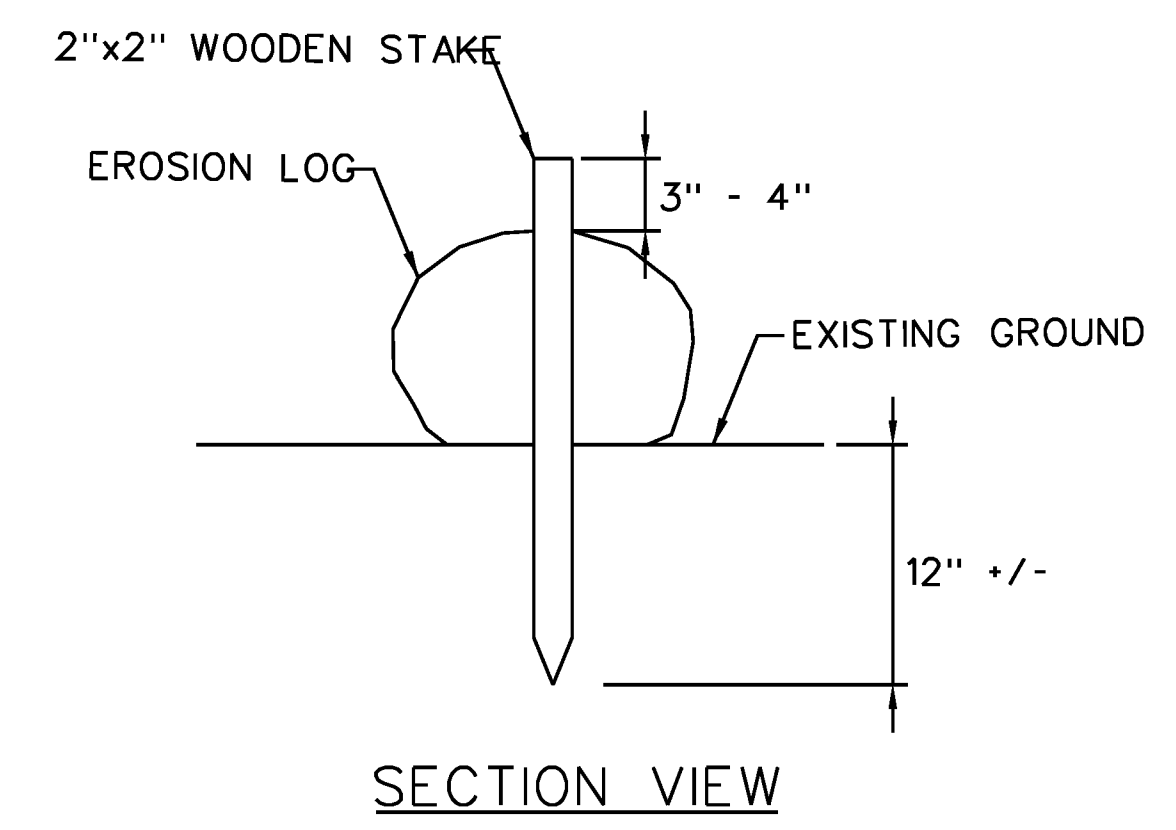


RIPRAP OUTLET PROTECTION EXAMPLE

NOTE: SEE RIPRAP STANDARDS AND SPECIFICATIONS MAXIMUM TAILWATER CONDITIONS

NOTES: REFER TO "THE VERMONT STANDARDS & SPECIFICATIONS FOR EROSION PREVENTION & SEDIMENT CONTROL -2006- " FROM THE VT AGENCY OF NATURAL RESOURCES FOR ADDITIONAL GUIDANCE.

THIS ITEM SHALL BE PAID FOR UNDER ITEM M-105-1 - STONE FILL, TYPE I



EROSION LOG DETAIL
NOT TO SCALE

- NOTES:
1. THIS ITEM SHALL BE PAID FOR UNDER ITEM P-156-8 - EROSION LOG.
 2. PLACE EROSION LOGS AT THE DIRECTION OF THE SOIL EROSION CONTROL PLAN AND THE ENGINEER.
 3. EROSION LOG TO BE OPEN WEAVE FABRIC AROUND EXCELSIOR FIBERS, AND BIO-DEGRADABLE OR EQUAL.

EPSC DETAILS SHEET 1

Hoyle, Tanner & Associates, Inc.
150 Dow Street
Manchester, NH 03101-1227
Tel 603-669-5555
Fax 603-669-4168
Web Page: www.hoyletanner.com
Hoyle, Tanner & Associates © 2008

PROJECT NAME: E. F. KNAPP STATE AIRPORT	
A.I.P. 3-50-0001-011-2009	
PROJECT NUMBER: BERLIN AIR 04-3216	
FILE NAME: 302803_sht_ero_det.dgn	PLOT DATE: 11/22/2011
PROJECT LEADER: S. FORTNEY	DRAWN BY: D. STANDISH
DESIGNED BY: S. BOUCHARD	CHECKED BY: J. DOWNAR
EPSC DETAILS SHEET 1	SHEET 56 OF 173