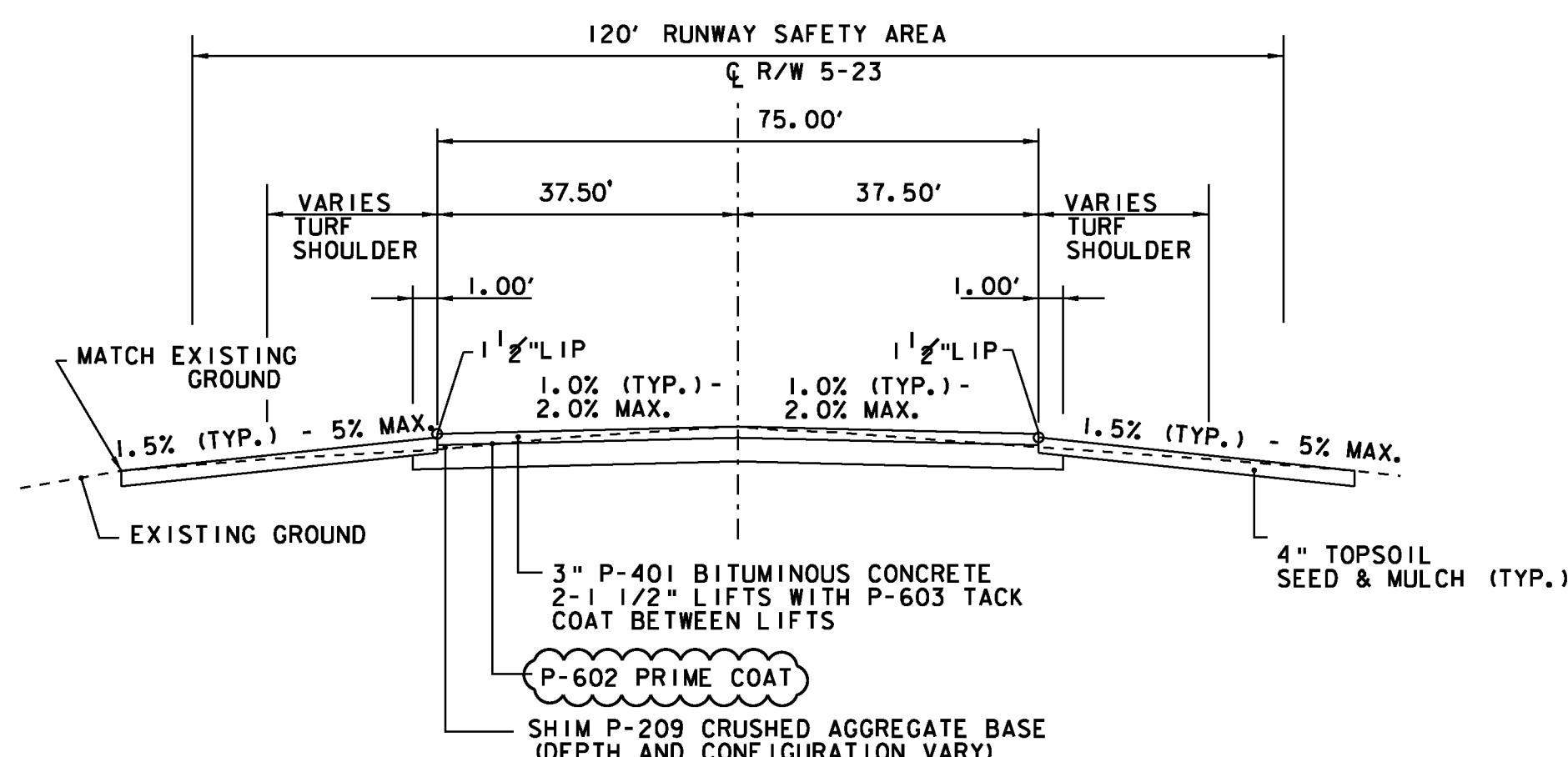
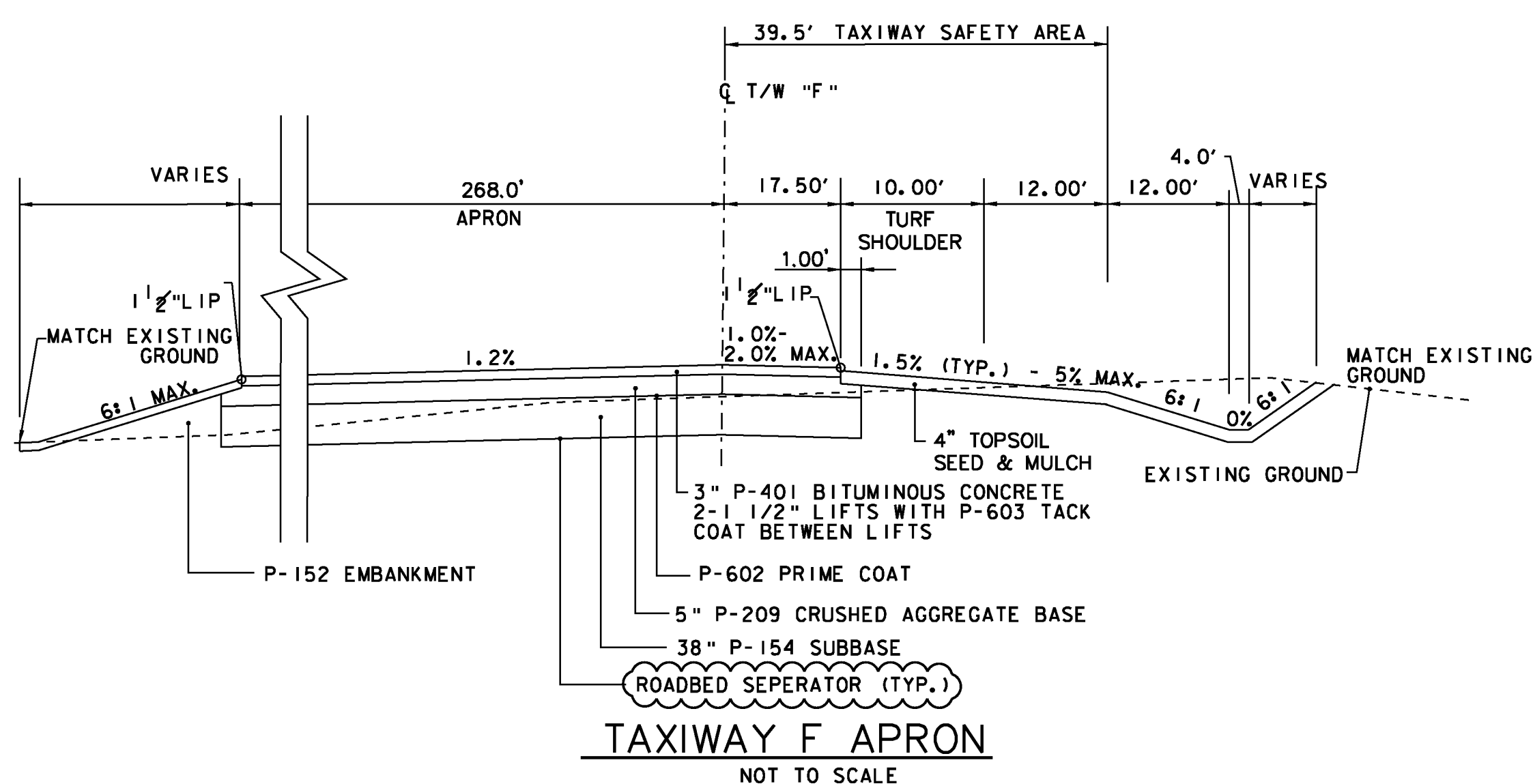


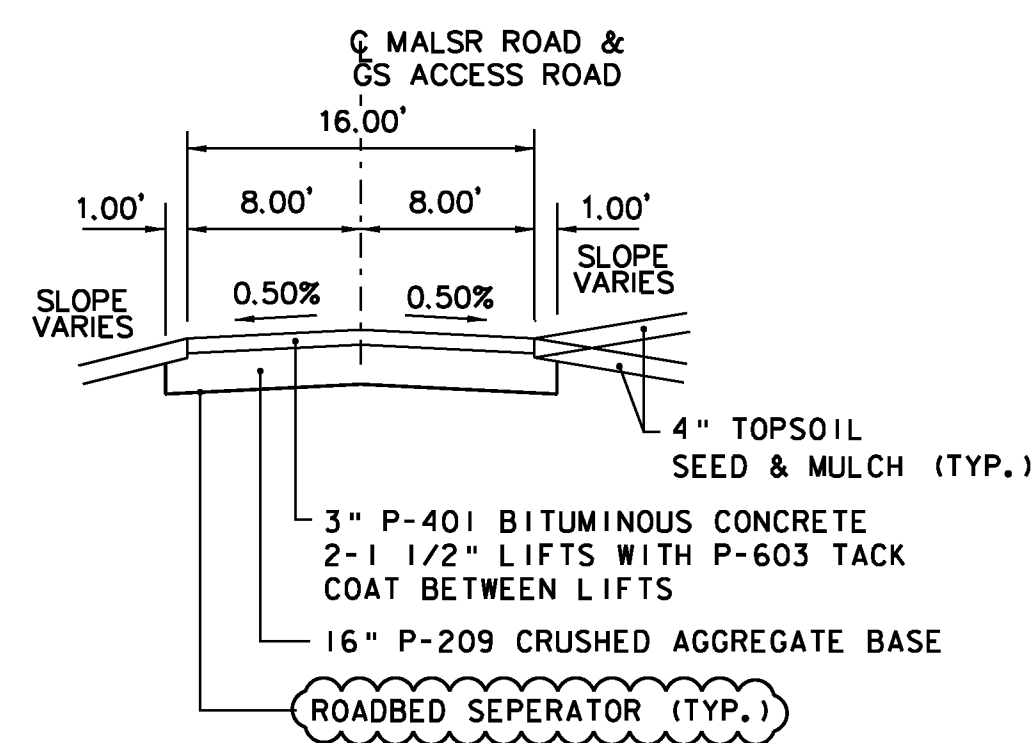
TYPICAL TAXIWAY "A" & "F" SECTION
NOT TO SCALE



TYPICAL RUNWAY 5-23 SECTION
NOT TO SCALE

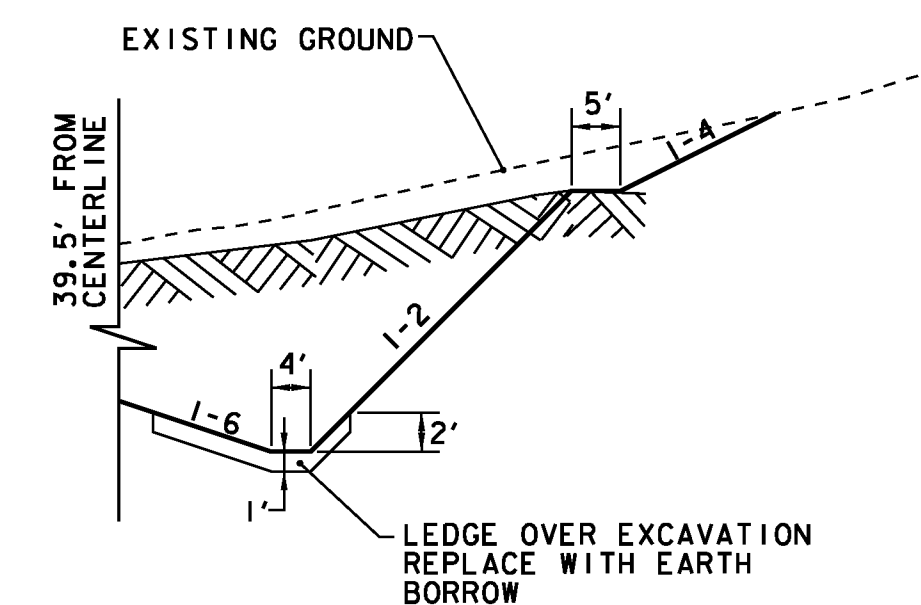


TAXIWAY F APRON
NOT TO SCALE

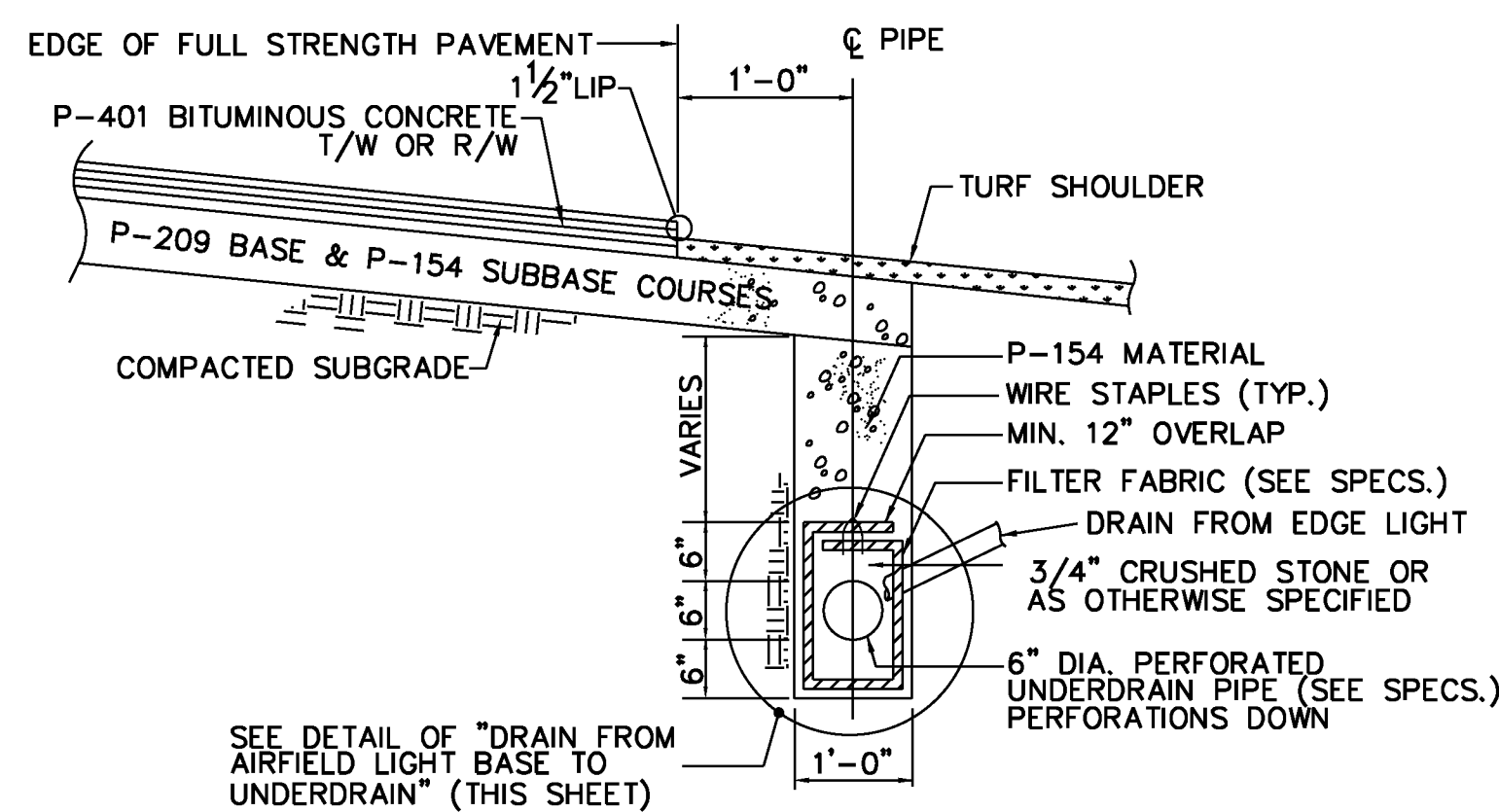


MALSR/GS ANTENNA ACCESS ROADS TYPICAL
NOTE: SIDE SLOPE VARIES. SEE CROSS SECTIONS

NOT TO SCALE
NOTE: SIDE SLOPE VARIES. SEE CROSS SECTIONS



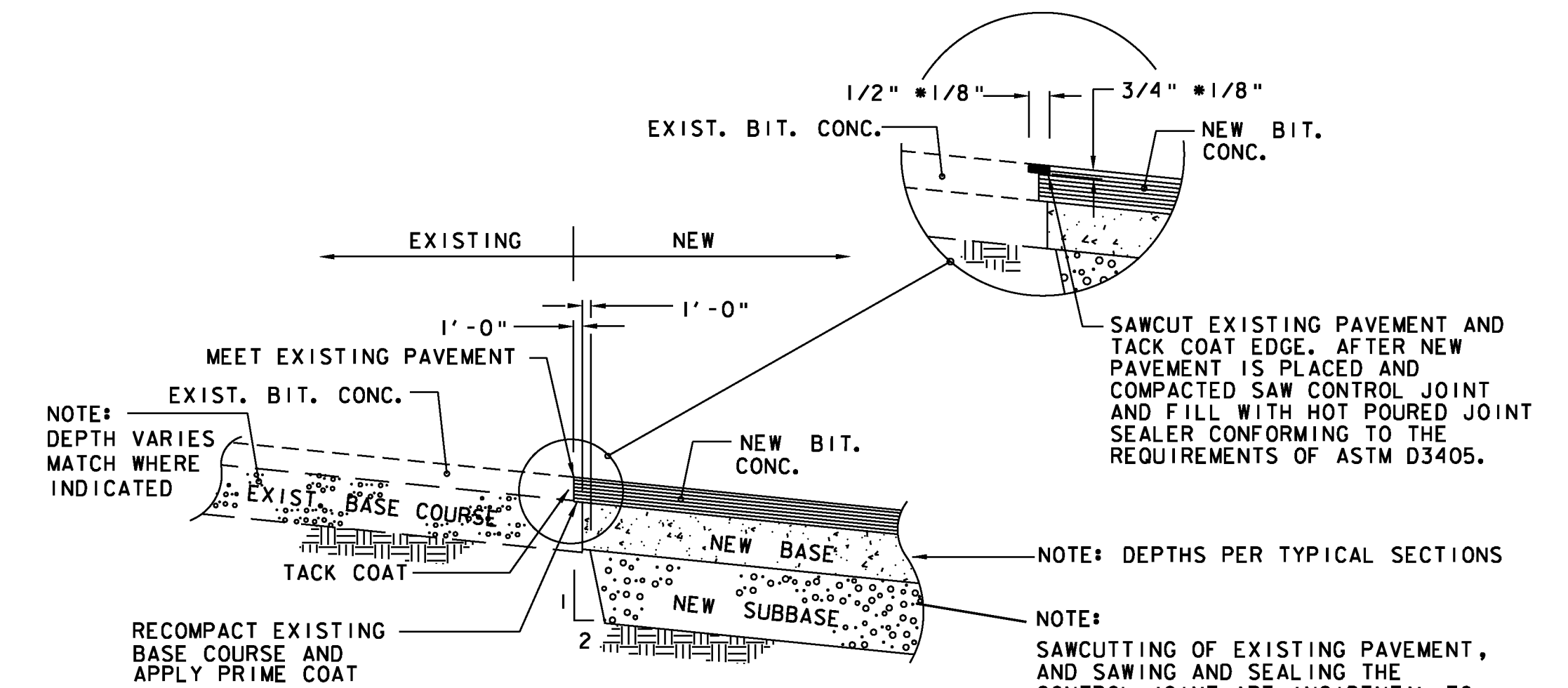
LEDGE CUT DETAIL
NOT TO SCALE



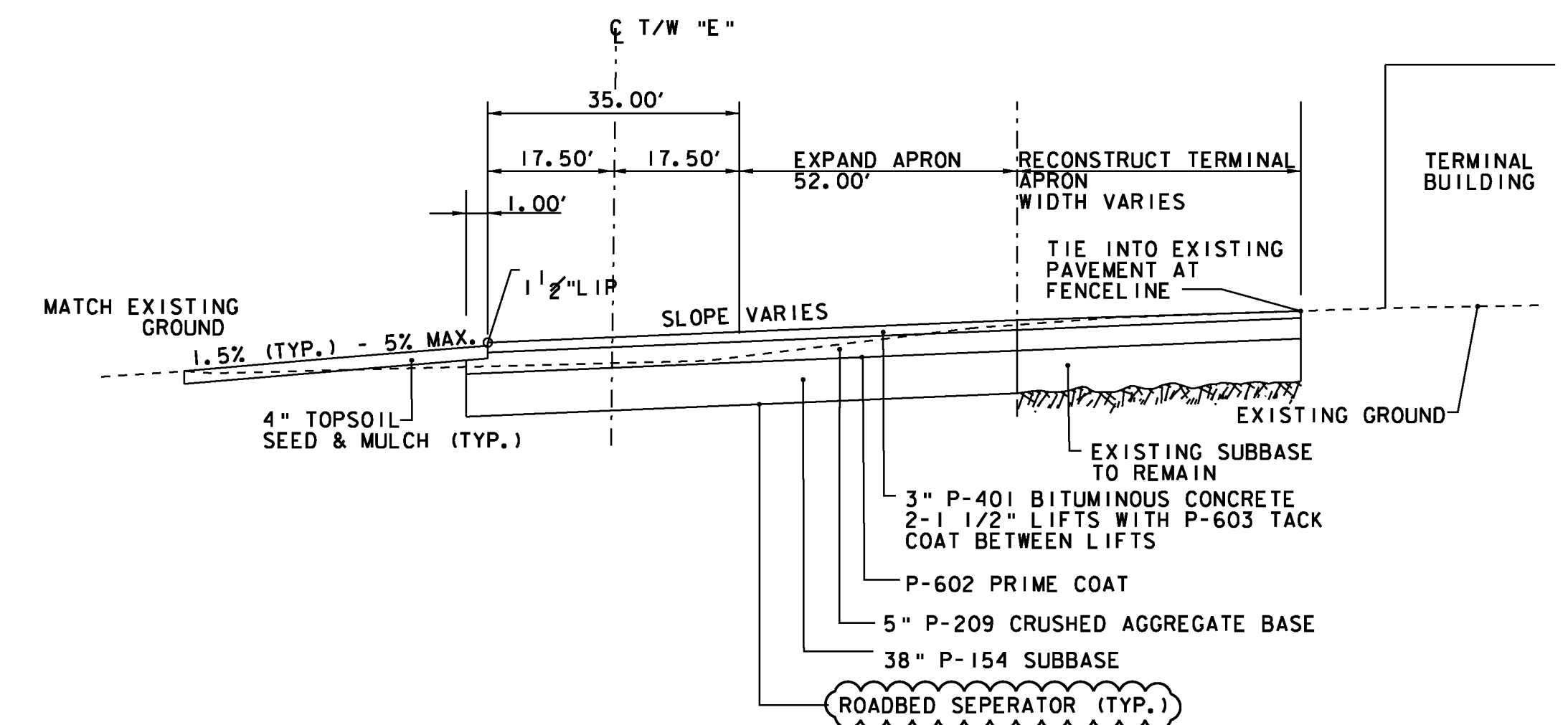
TYPICAL UNDERDRAIN DETAIL
NOT TO SCALE (WHERE SHOWN ON PLANS)

GENERAL NOTES

SLOPE ROUNDING: ALL CUT SLOPES TO BE ROUNDED IN ACCORDANCE WITH STANDARD SHEET B - 5.



PAVEMENT BUTT JOINT
NOT TO SCALE



TYPICAL TAXIWAY "E" AND RECONSTRUCTED TERMINAL APRON
NOT TO SCALE

Hoyle, Tanner & Associates, Inc.

150 Dow Street
Manchester, NH 03101-1227
Tel 603-669-5555
Fax 603-669-4168
Web Page: www.hoyletanner.com
Hoyle Tanner & Associates © 2008

PROJECT NAME: E. F. KNAPP STATE AIRPORT
A.I.P. 3-50-0001-011-2009
PROJECT NUMBER: BERLIN AIR 04-3216

FILE NAME: 302803_sht_.typ_.sec_.dgn
DESIGNED BY: S. BOUCHARD
TYPICAL SECTIONS

PLOT DATE: 11/22/2011
DRAWN BY: D. STANDISH
CHECKED BY: J. DOWNAR
SHEET 4 OF 173