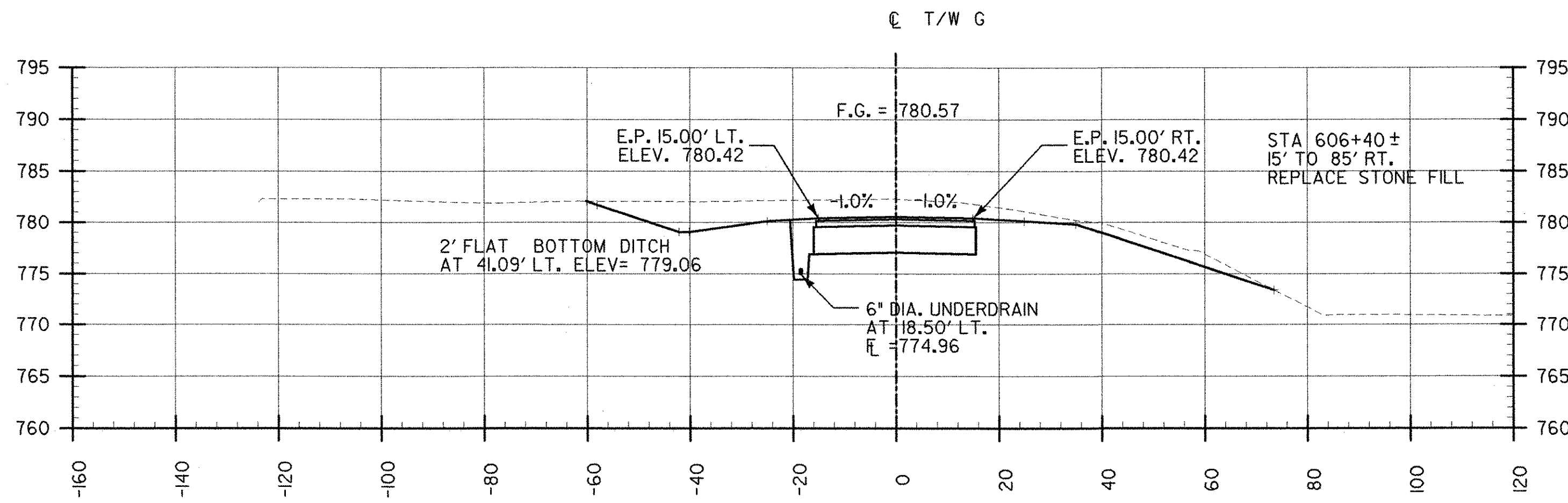
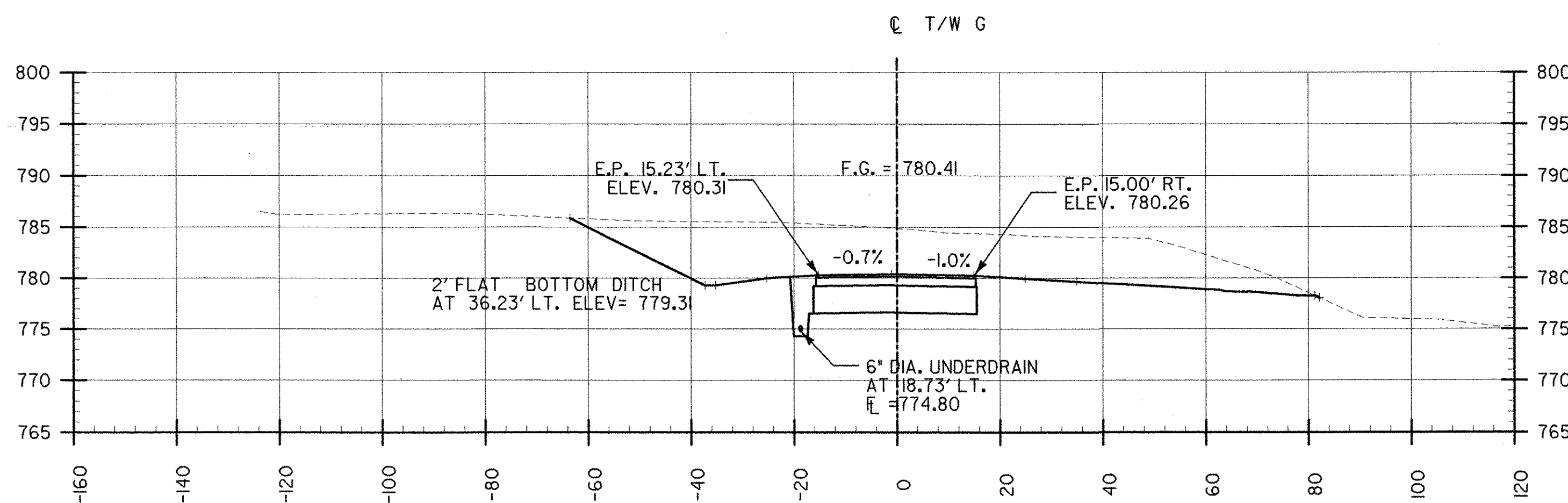


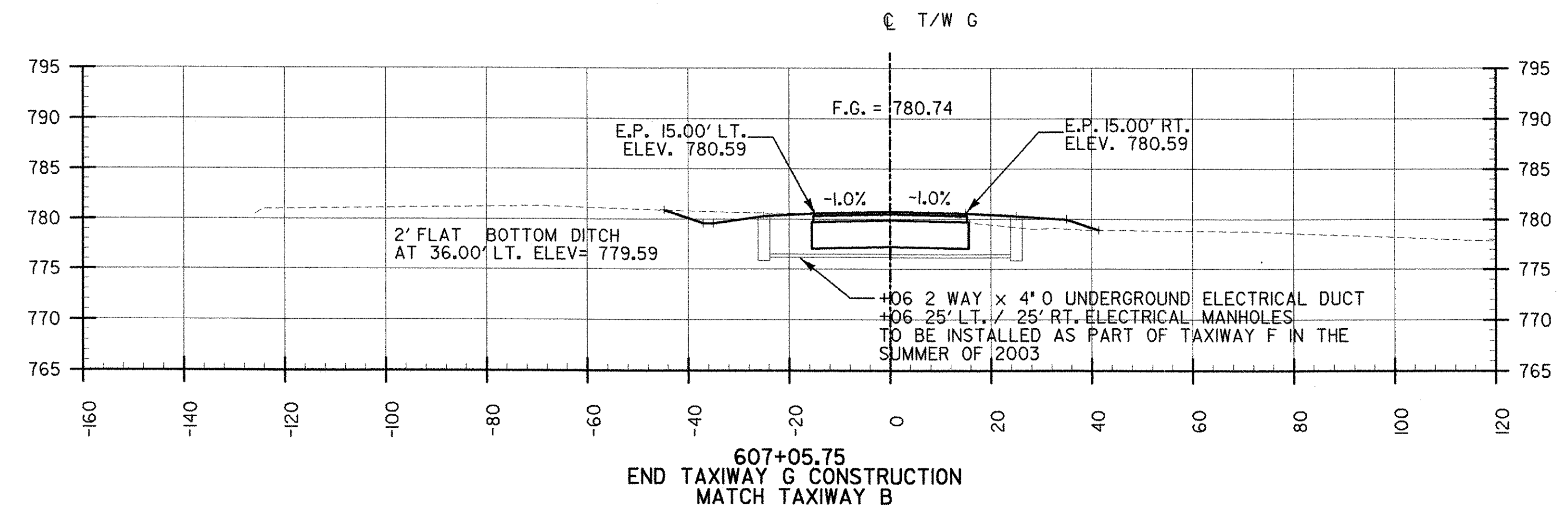
606+88.54



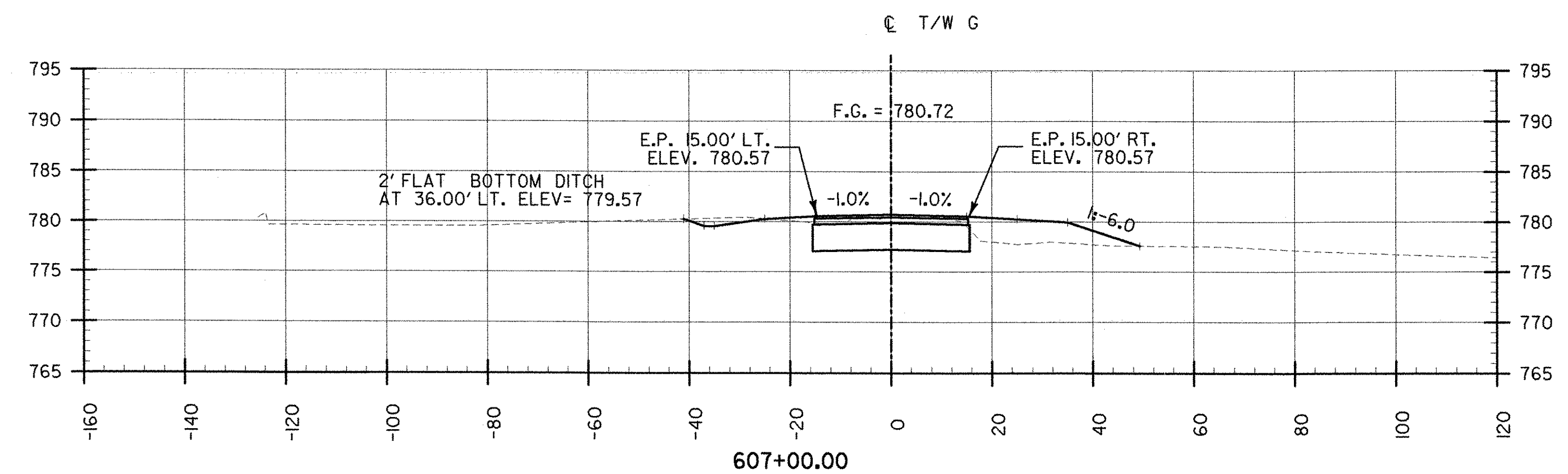
606+50.00



606+00.00



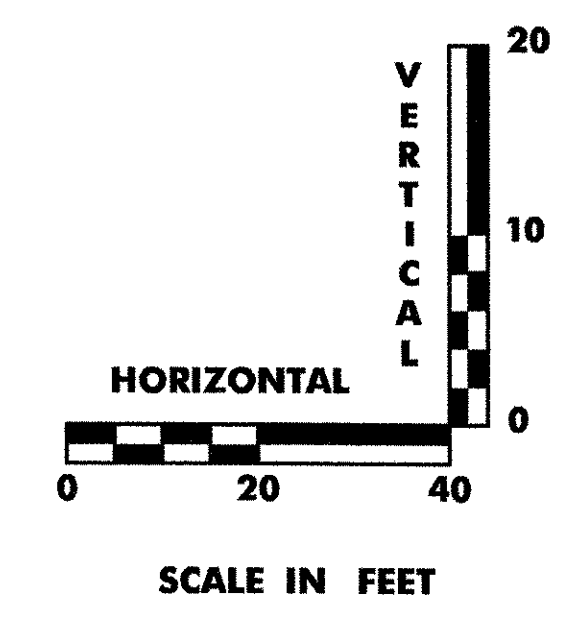
607+05.75
END TAXIWAY G CONSTRUCTION
MATCH TAXIWAY B



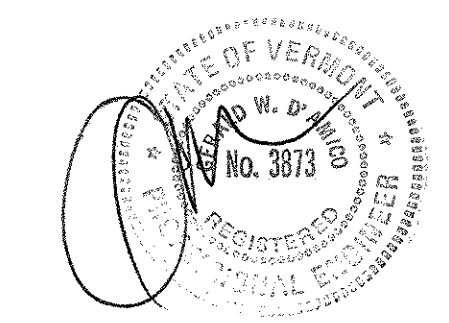
607+00.00

DATUM

VERTICAL	NAVD 88
HORIZONTAL	NAD 83



AIP 3-50-0015



PROJECT NAME:	CLARENDON
PROJECT NUMBER:	AIR 04-3172-C2
FILE NAME:	38397036sheet15.dgn
PROJECT LEADER:	G. D'AMICO
DESIGNED BY:	R. DEWEY
CHECKED BY:	G. D'AMICO
TAXIWAY G CROSS SECTIONS	
PLOT DATE:	2/16/2006
DRAWN BY:	R. DEWEY
SHEET 15	OF 27

P:\38397036\Civil\Sheet\February 2006 Submission\38397036sheet15.dgn