

NOTE:
ADDITIONAL CONDUITS MAY BE PLACED IN SAME TRENCH @ 3" SPACING. MAX. NUMBER OF CABLES / CONDUIT PER N.E.C.

WHERE CABLE IS INSTALLED ADJACENT TO PAVEMENT, COUNTERPOISE IS INSTALLED 8-INCHES BELOW FINISHED GRADE AND INSTALLED HALF THE DISTANCE FROM THE EDGE OF PAVEMENT TO THE DUCT.

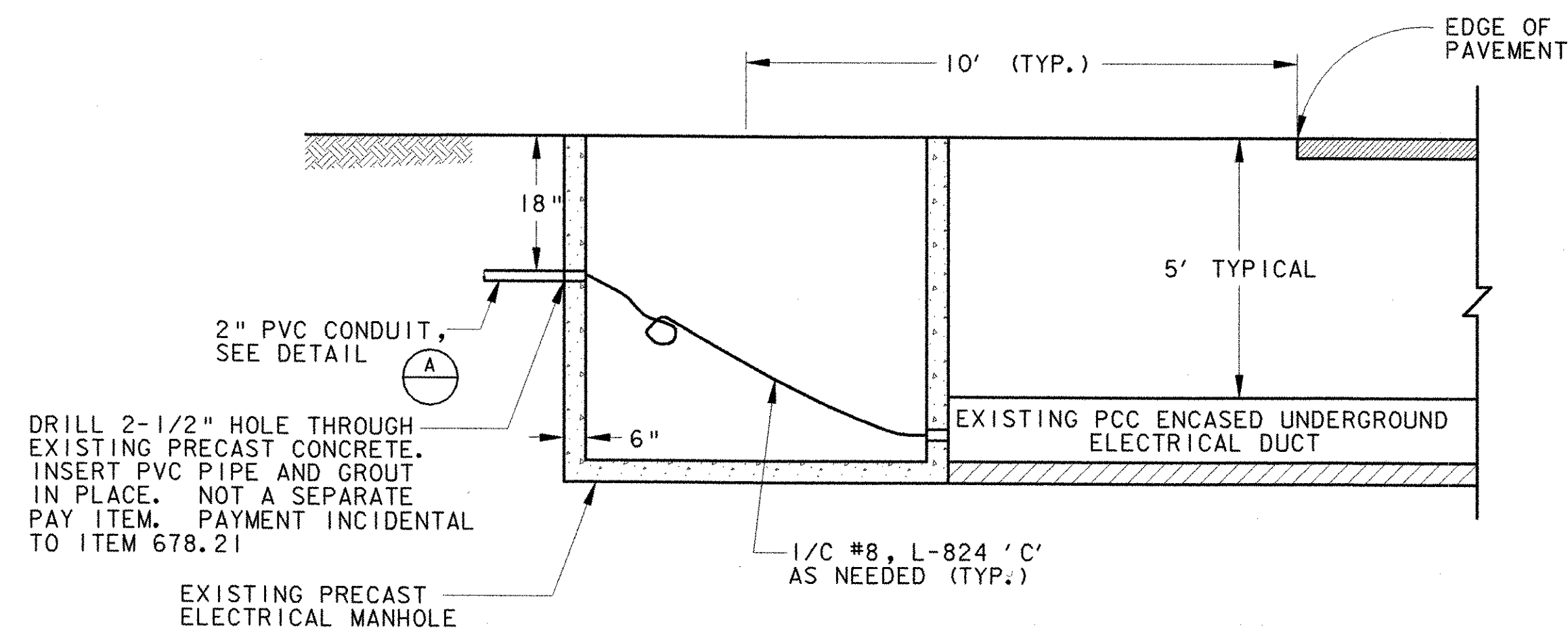
WHERE CABLE IS NOT INSTALLED ADJACENT TO PAVEMENT, COUNTERPOISE IS INSTALLED 4-INCHES MINIMUM ABOVE DUCT OR TO A HEIGHT WHERE THE DUCT IS PROTECTED WITH A 45 DEGREE ZONE OF PROTECTION BELOW THE COUNTERPOISE.

EXCAVATION FOR THE INSTALLATION OF COUNTERPOISE WIRE TO BE INCIDENTAL TO ITEM 864.06

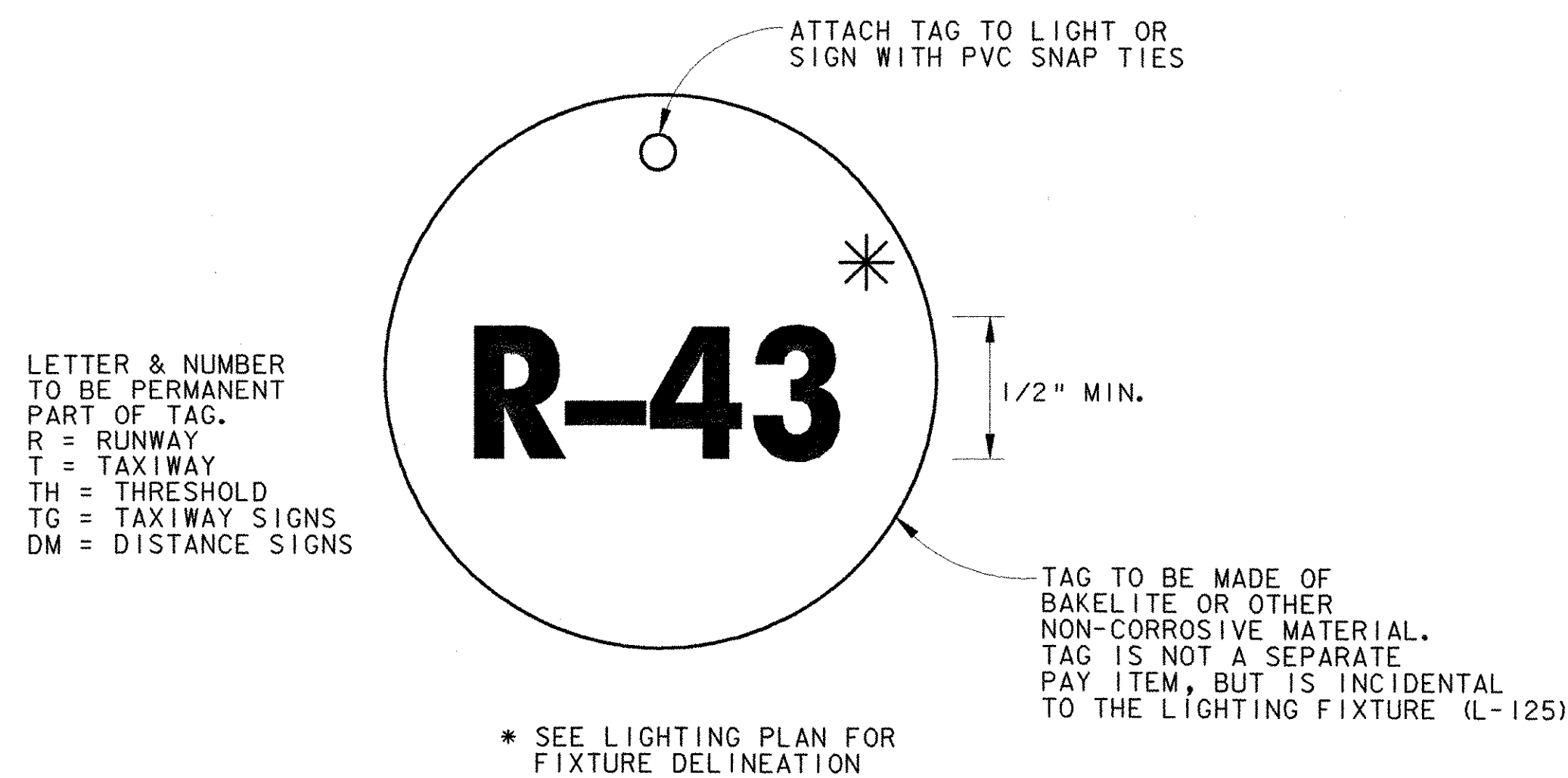
A CONDUIT TRENCH DETAIL (TYP)
SCALE: NONE L-108

NOTES:

1. WHERE NECESSARY, HAND EXCAVATE AROUND EXISTING DUCT. EXISTING CABLES MAY BE DIRECT BURIAL.
2. SEE VTRANS STANDARD DRAWING D-15 FOR PRE-CAST ELECTRICAL MANHOLE DETAILS.



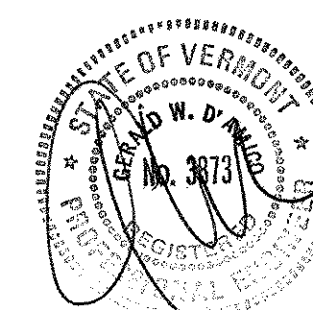
B CONDUIT DUCT DETAIL (TYP)
SCALE: NONE



C FIXTURE IDENTIFICATION TAG (TYP)
SCALE: NONE

P:\38397036\Civil\Sheet\February 2006 Submission\38397036sheet13.dgn

DATUM	
VERTICAL	NAVD 88
HORIZONTAL	NAD 83



AIP 3-50-0015

PROJECT NAME:	CLARENDON	PLOT DATE:	2/16/2006
PROJECT NUMBER:	AIR 04-3172-C2	DRAWN BY:	R. DEWEY
FILE NAME:	38397036sheet13.dgn	CHECKED BY:	G. D'AMICO
PROJECT LEADER:	G. D'AMICO	SHEET 13	OF 27
DESIGNED BY:	R. DEWEY	AIRFIELD LIGHTING DETAILS	