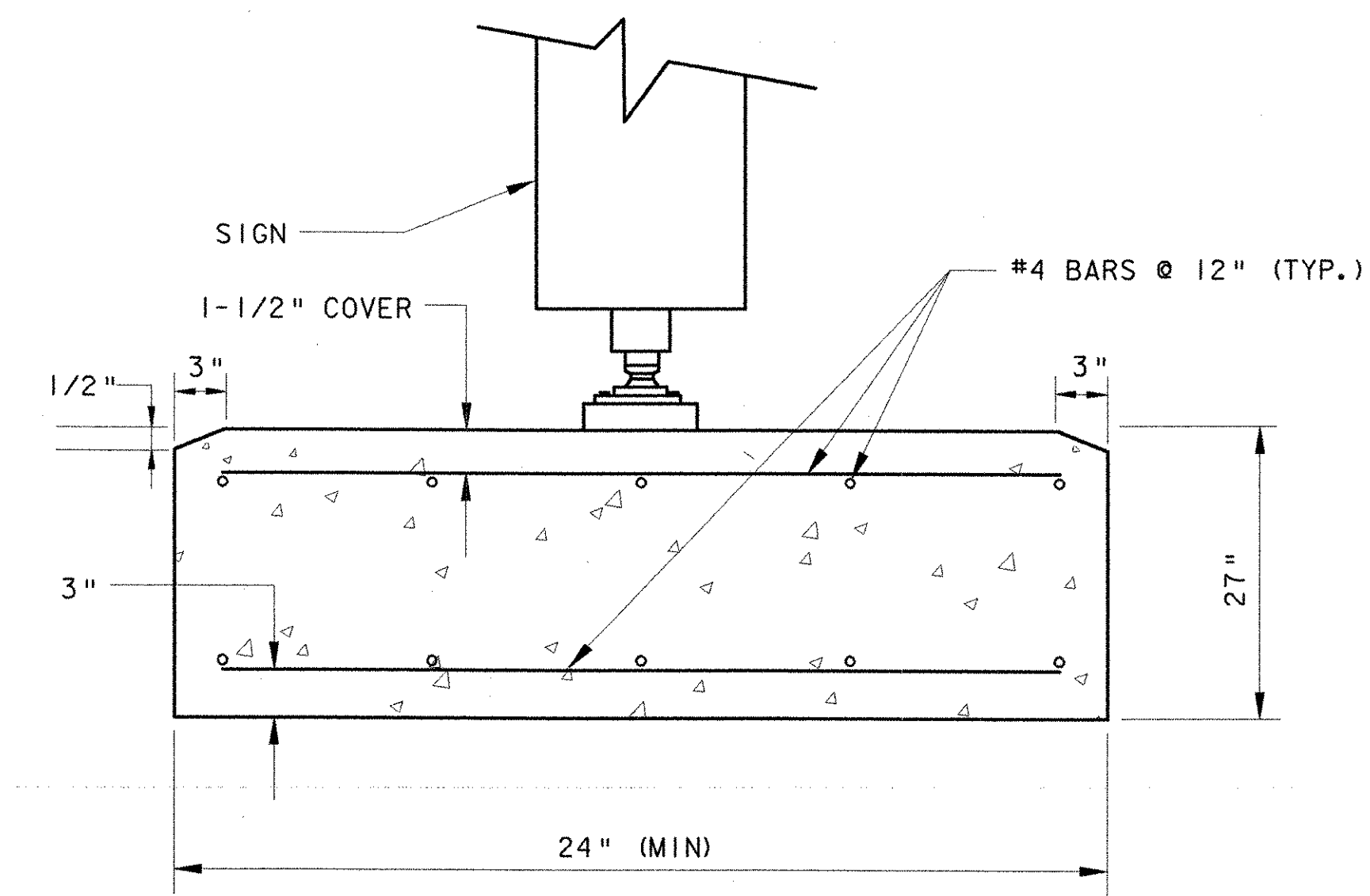
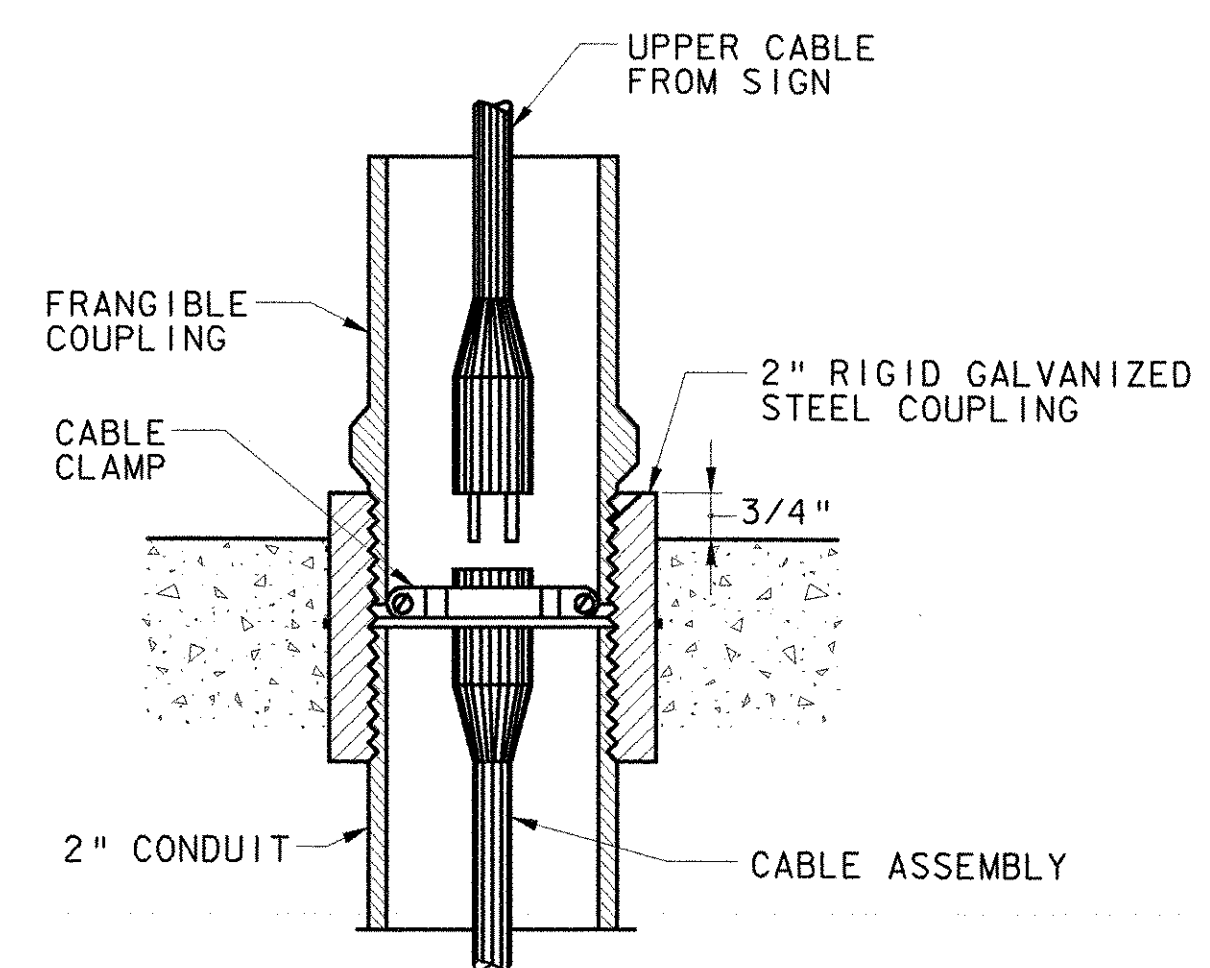


L-858 TAXIWAY GUIDANCE SIGN
NOT TO SCALE

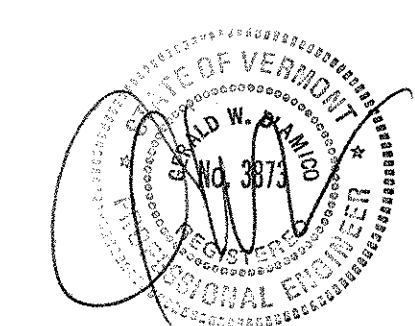


TAXIWAY GUIDANCE SIGN SECTION A-A
NOT TO SCALE



FRANGIBLE COUPLING CONNECTION DETAIL
NOT TO SCALE

| | |
|--------------|---------|
| DATUM | |
| VERTICAL | NAVD 88 |
| HORIZONTAL | NAD 83 |



AIP 3-50-0015

| | | | |
|-----------------|-----------------------|---------------------------|----------------|
| PROJECT NAME: | CLARENDON | PLOT DATE: | 2/16/2006 |
| PROJECT NUMBER: | AIR 04-3172-C2 | DRAWN BY: | R. DEWEY |
| FILE NAME: | 38397036sheet12.dgn | CHECKED BY: | G. D'AMICO |
| PROJECT LEADER: | G. D'AMICO | AIRFIELD LIGHTING DETAILS | SHEET 12 OF 27 |

P:\38397036\Civil\Sheet\February 2006 Submission\38397036sheet12.dgn