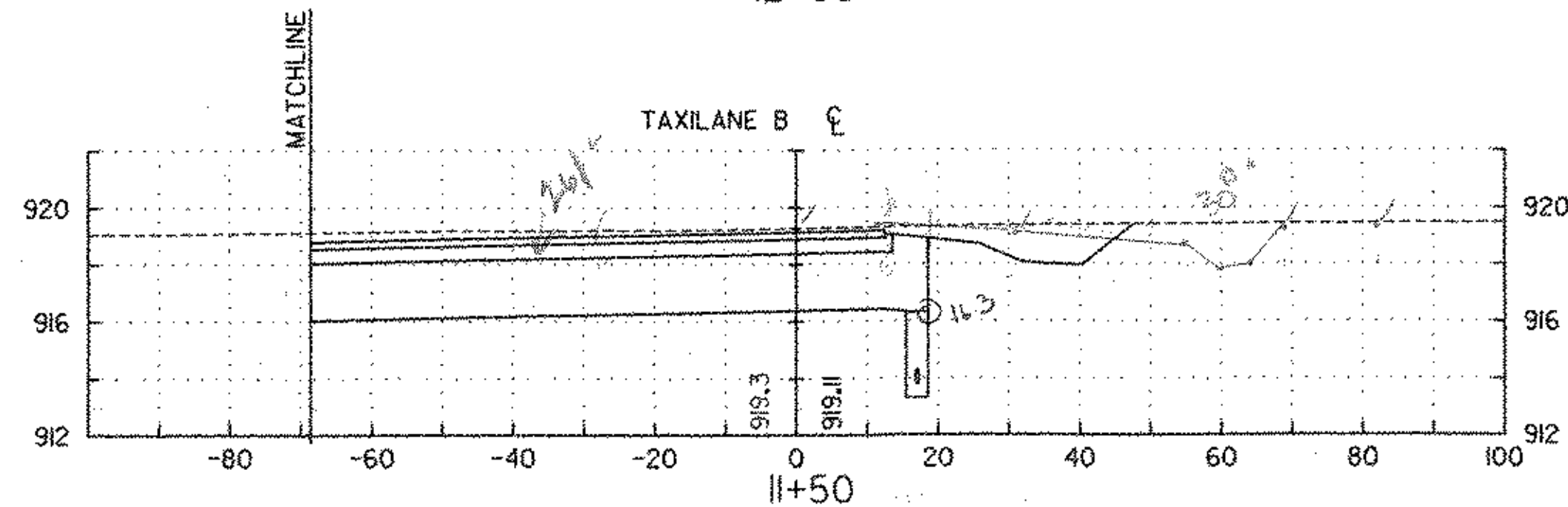
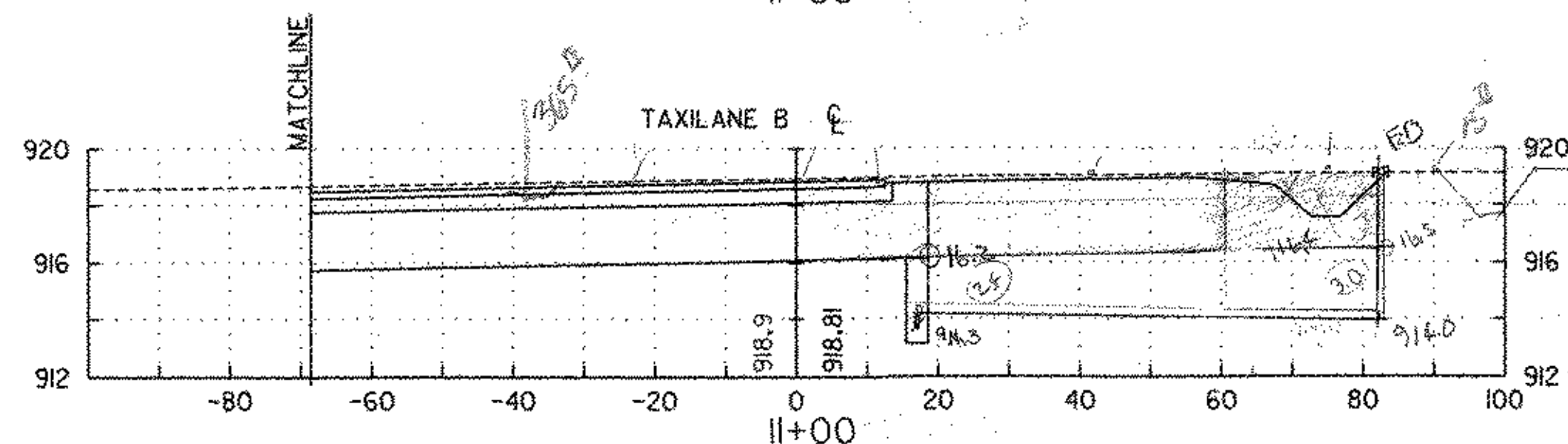


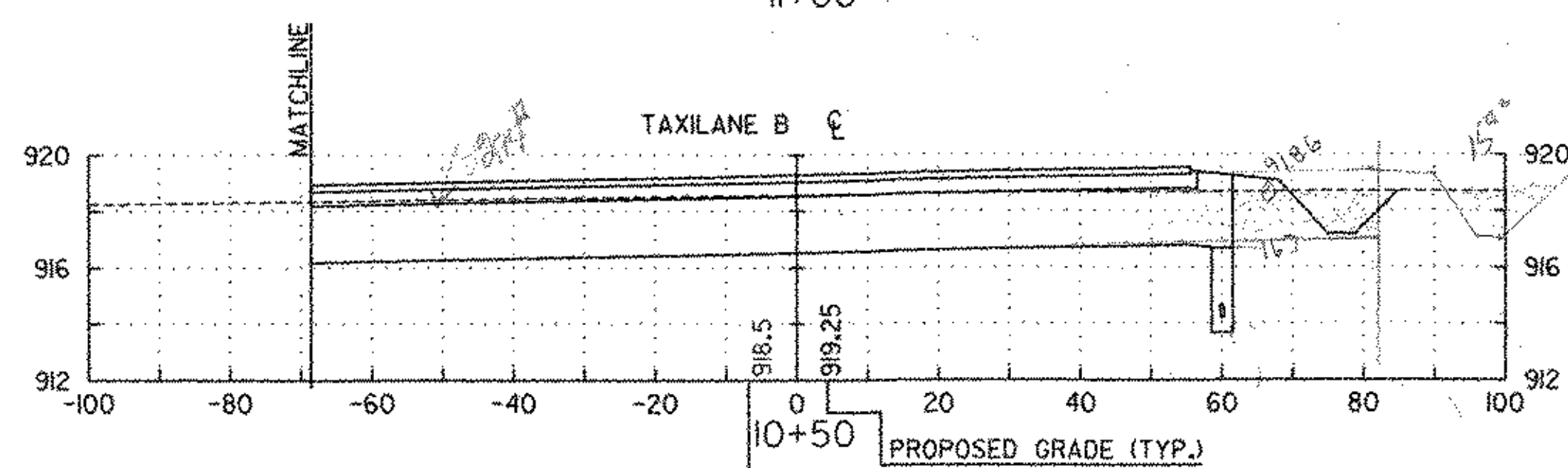
2.24' cut
SUBBASE 169
BASE COURSE 41



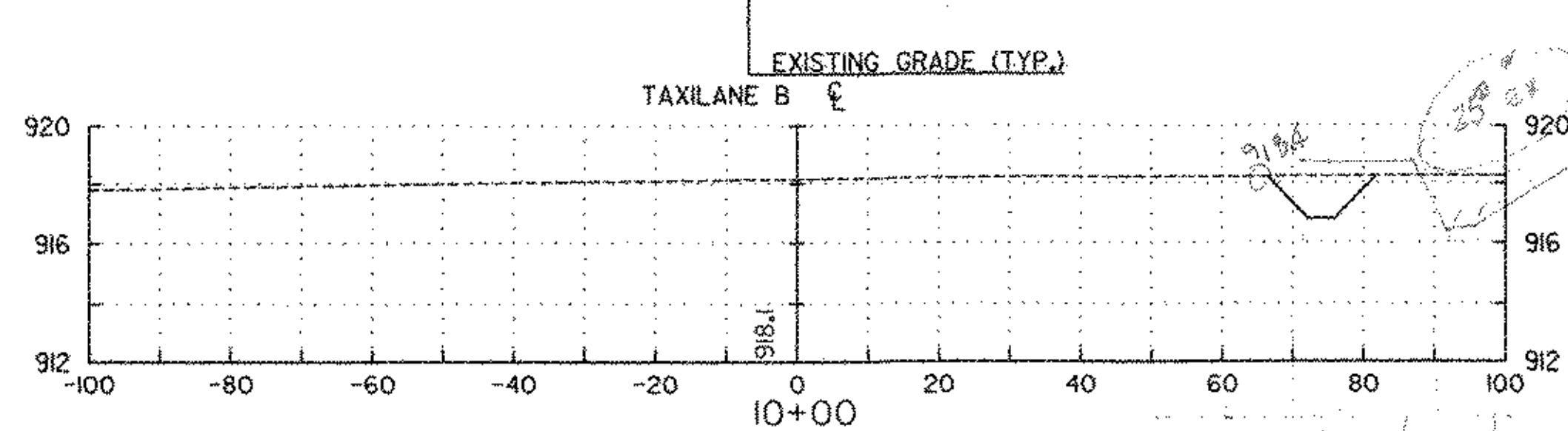
2.91' cut
SUBBASE 177
BASE COURSE 41



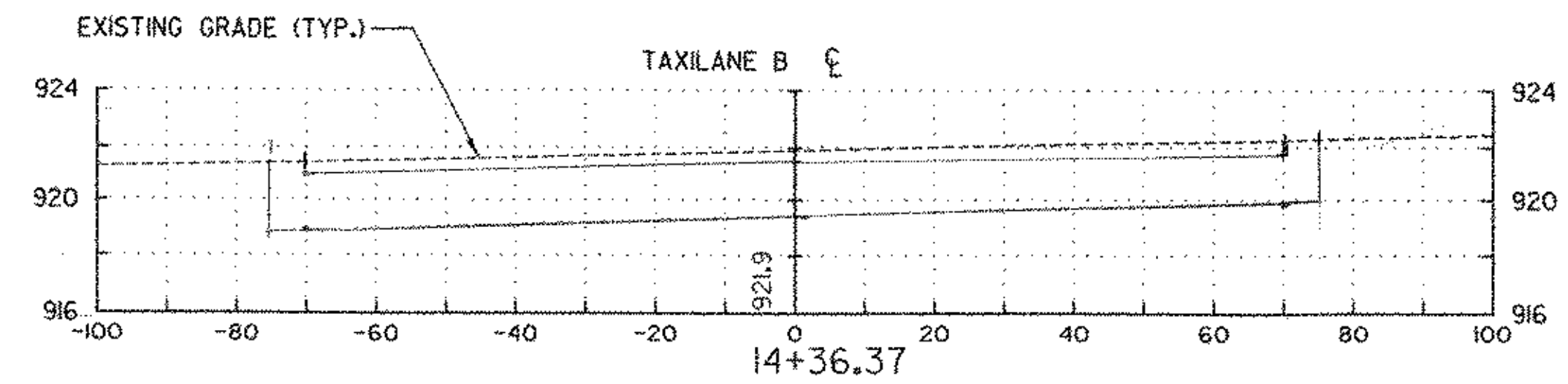
3.65' cut
6.5' x 30" DIA. x 3 = 19.5' CY
H35 EX BACK
SUBBASE 200
BASE COURSE 41



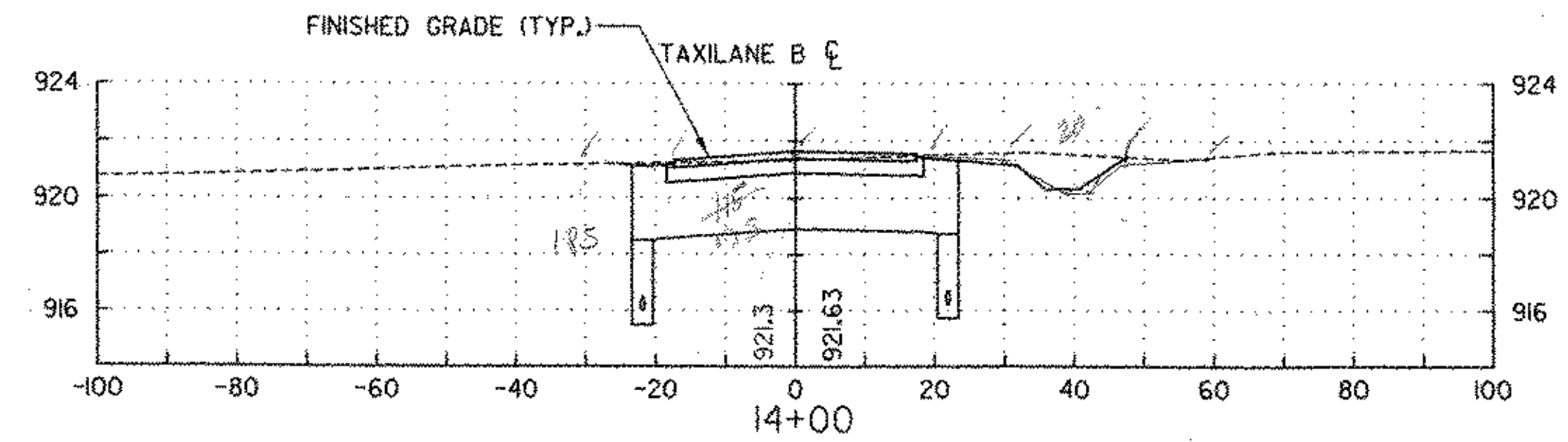
3.07' cut
H35 EX HEAD
15' BASE
SUBBASE 200
BASE COURSE 41



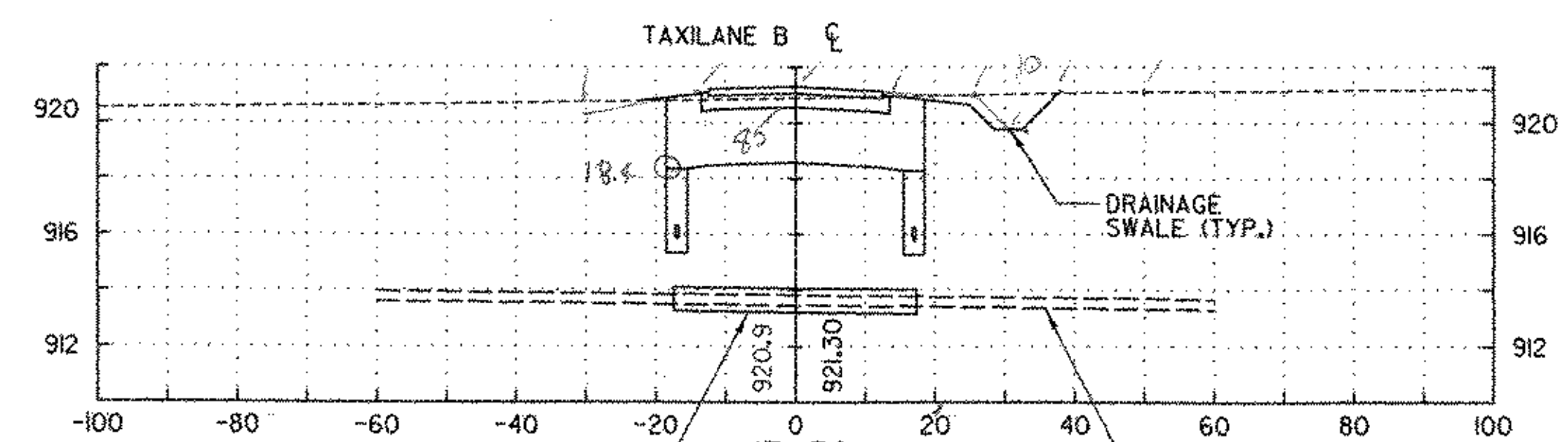
3.5' cut
9150



4.12
3.45' cut
SUBBASE 206
BASE COURSE 41

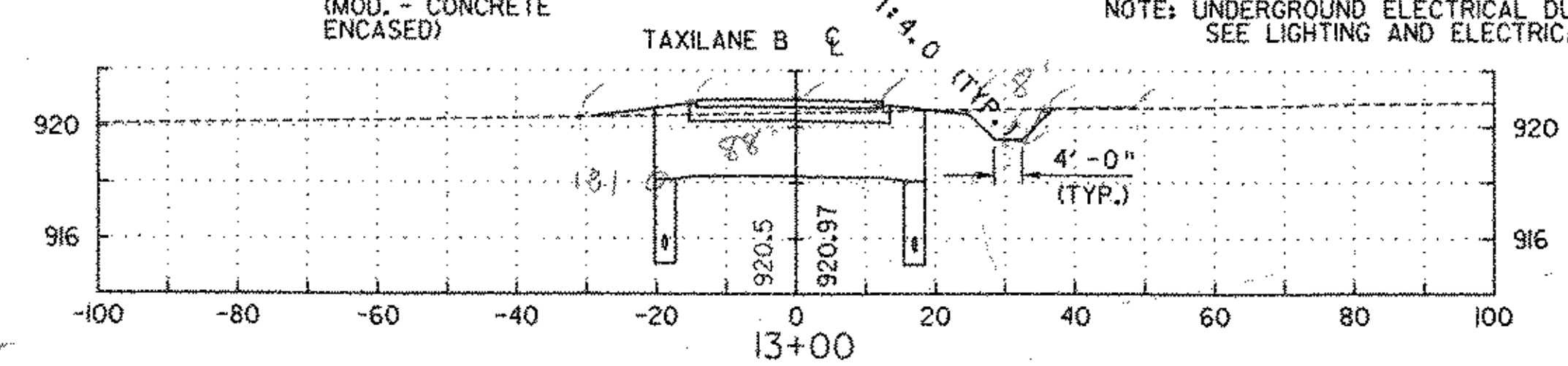


1.35' cut
1.53
SUBBASE 83
BASE COURSE 41

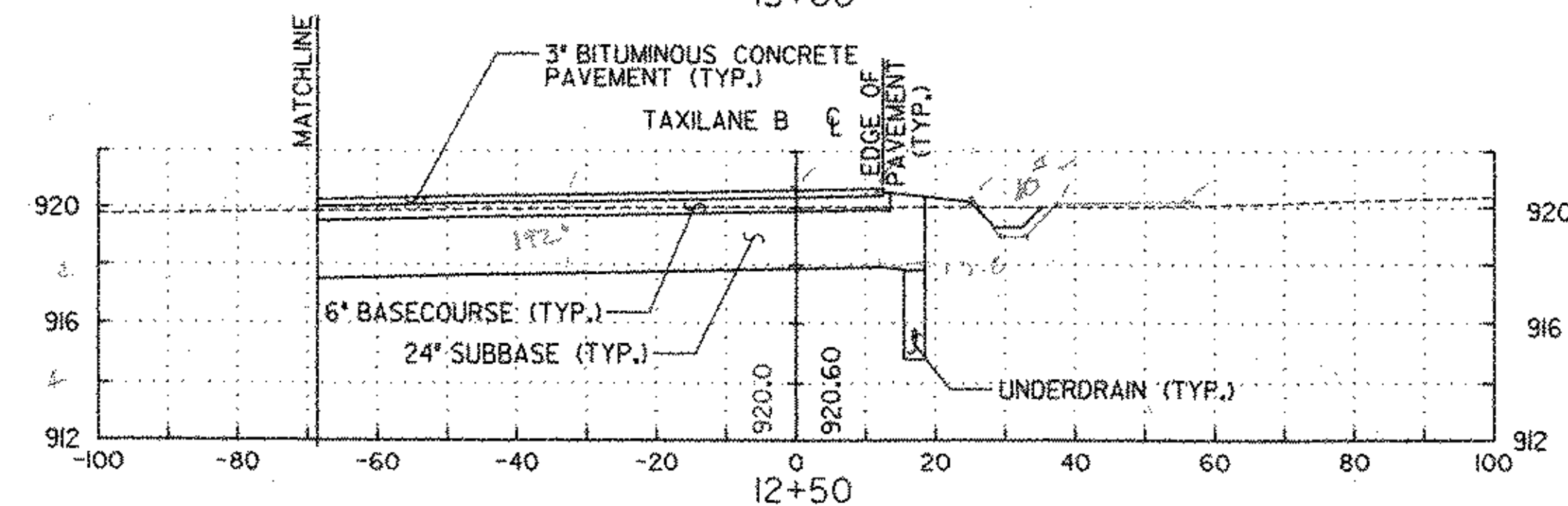


9.5' cut
SUBBASE 83
BASE COURSE 41

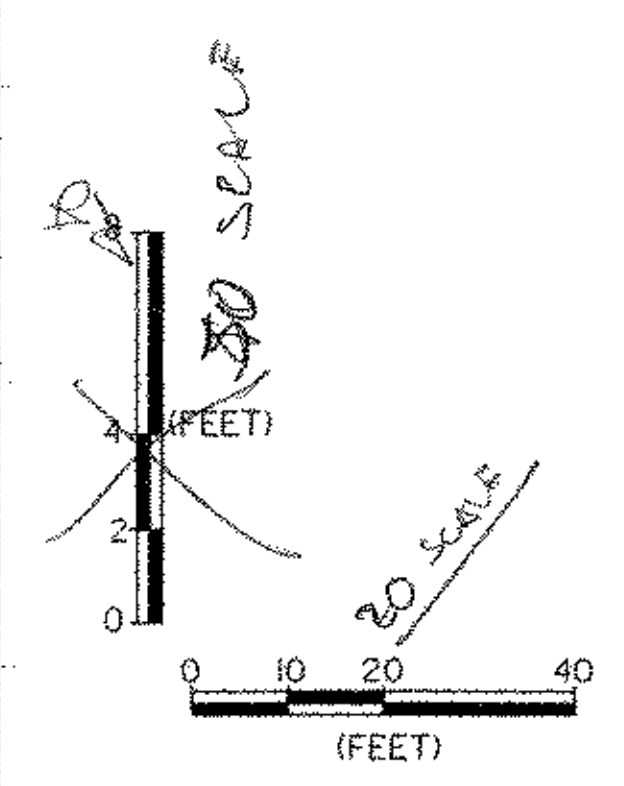
L-110, 2-WAY X 4" DIA. UNDERGROUND ELECTRICAL DUCT (MOD. - CONCRETE ENCASED)
L-110, 2-WAY X 4" DIA. UNDERGROUND ELECTRICAL DUCT
NOTE: UNDERGROUND ELECTRICAL DUCT AT APPROX. STA. 13+40. SEE LIGHTING AND ELECTRICAL PLAN FOR LAYOUT.



9.6' cut
SUBBASE 83
BASE COURSE 41



11' cut
202
SUBBASE 177
BASE COURSE 41



DATUM
VERTICAL NAVD 88
HORIZONTAL NAD 83

VERT = 50 SCALE
HORIZ = 20

PROJECT NAME:	COVENTRY	FILE NAME:		PLOT DATE:	04/06/2005
PROJECT NUMBER:	AIR 04-3173	PROJECT LEADER:	JAA	DRAWN BY:	PGJ
		DESIGNED BY:	JDR	CHECKED BY:	JWT
		TAXILANE B CROSS SECTIONS			SHEET 22 OF 22