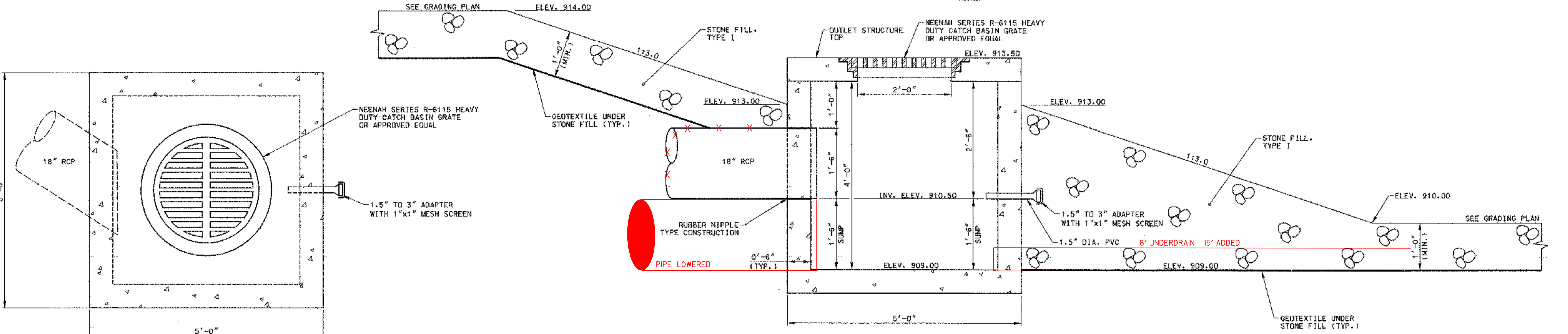


OUTLET STRUCTURE TOP DETAIL

SCALE 1/4" = 1'-0"  
 1 0 2 4 6

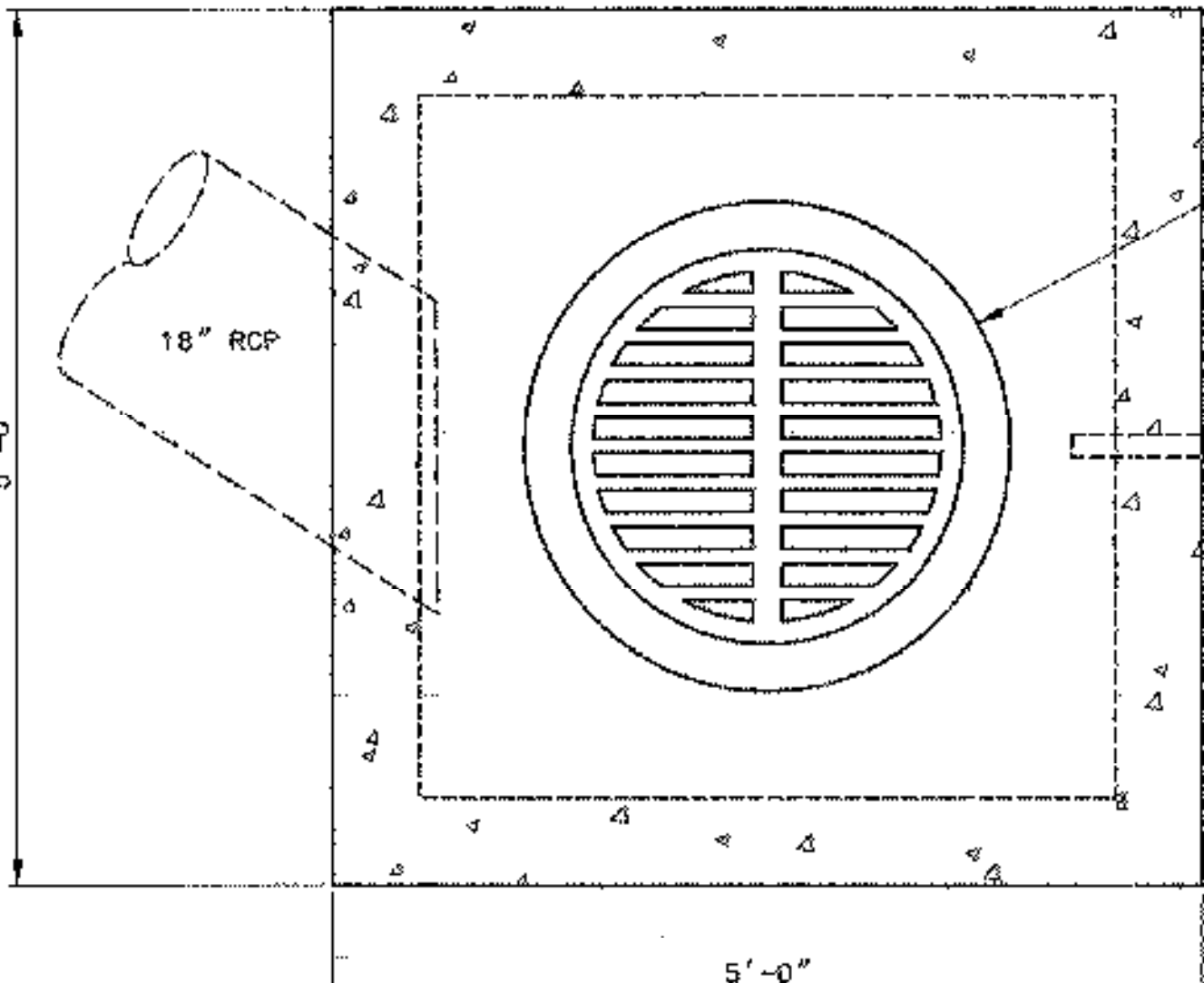


OUTLET CONTROL STRUCTURE

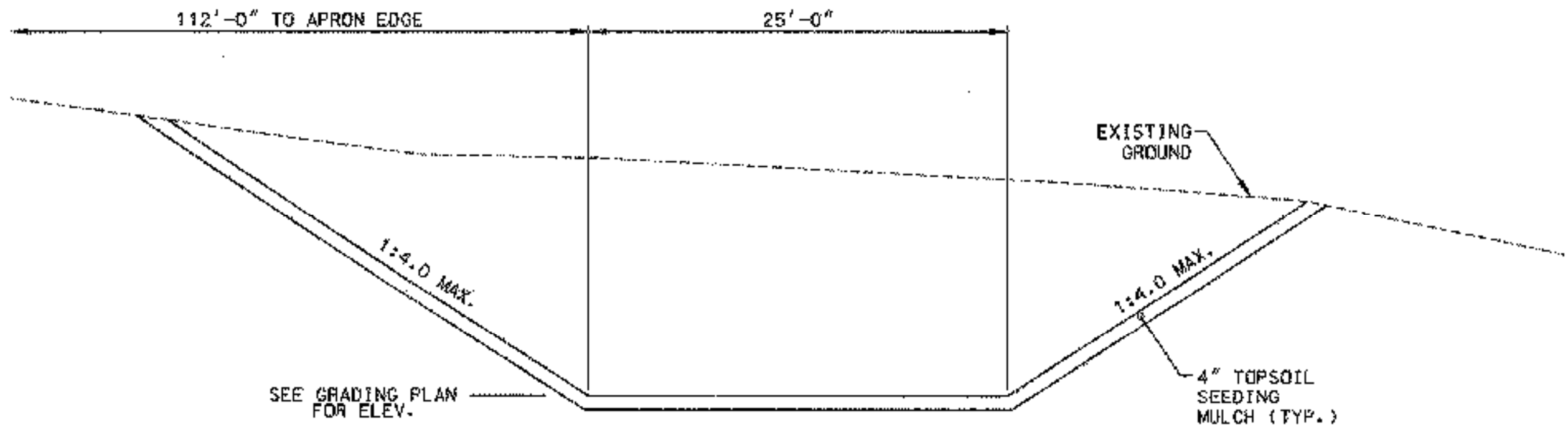
SCALE 1" = 1'-0"  
 1 0 1

ELEVATION VIEW

NOTE:  
 THE CONTRACTOR SHALL TAKE CARE IN PLACING THE STONE FILL TO AVOID BREAKING THE 1.5" DIA. PIPE.

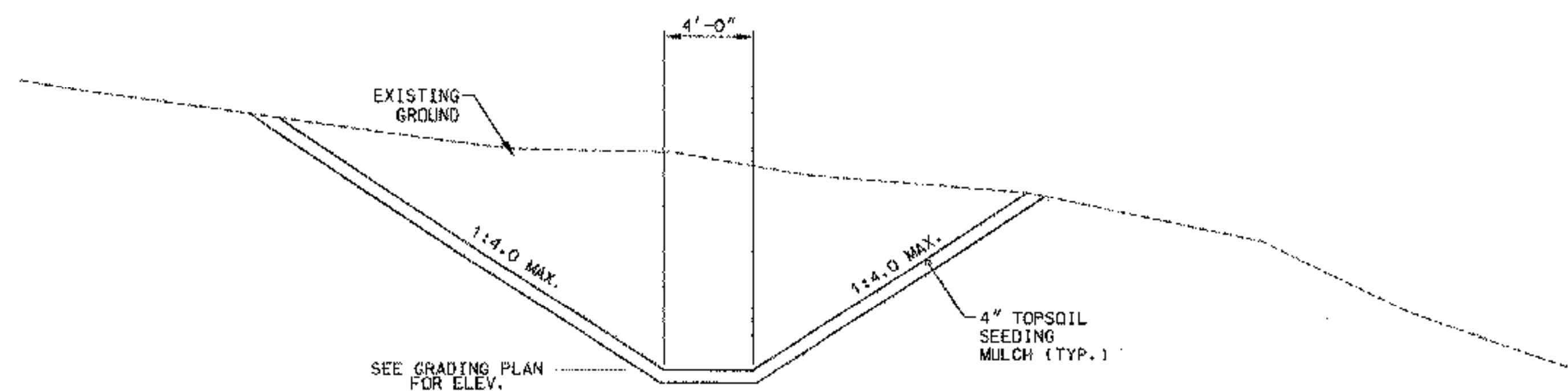


PLAN VIEW



DETENTION BASIN TYPICAL SECTION

STA. 6+96.00 - 4+68.00 RT  
 NOT TO SCALE



DITCH TYPICAL SECTION

STA. 4+26.00 - 2+37.00 RT  
 NOT TO SCALE

PROJECT NAME:	COVENTRY
PROJECT NUMBER:	AIR 04-3173
FILE NAME:	Drainage & ElectricalDetails.dgn
PROJECT LEADER:	JAA
DESIGNED BY:	JDR
DRAINAGE DETAILS:	
PLOT DATE:	04/06/2005
DRAWN BY:	PGJ
CHECKED BY:	JWT
SHEET	12 OF 22