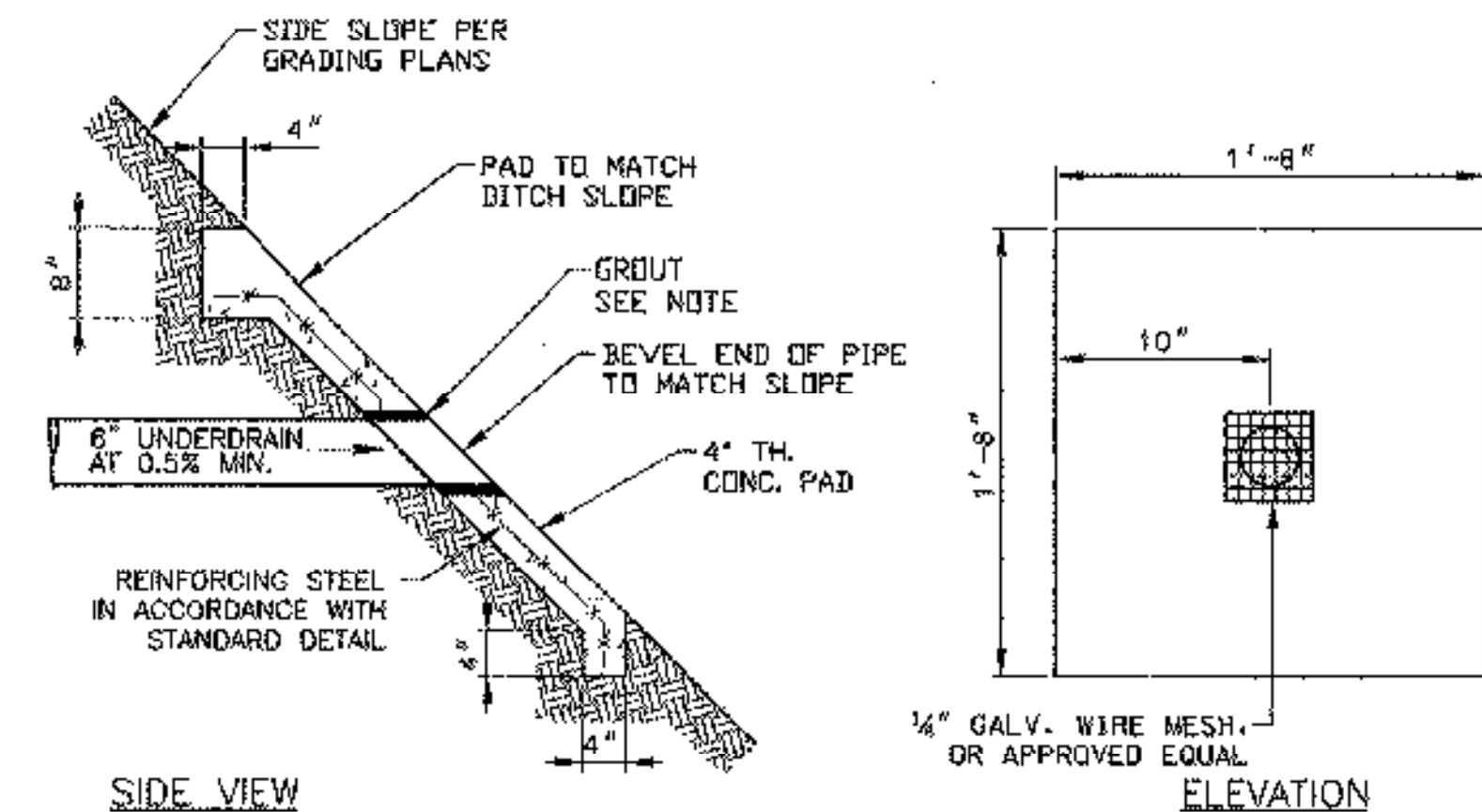
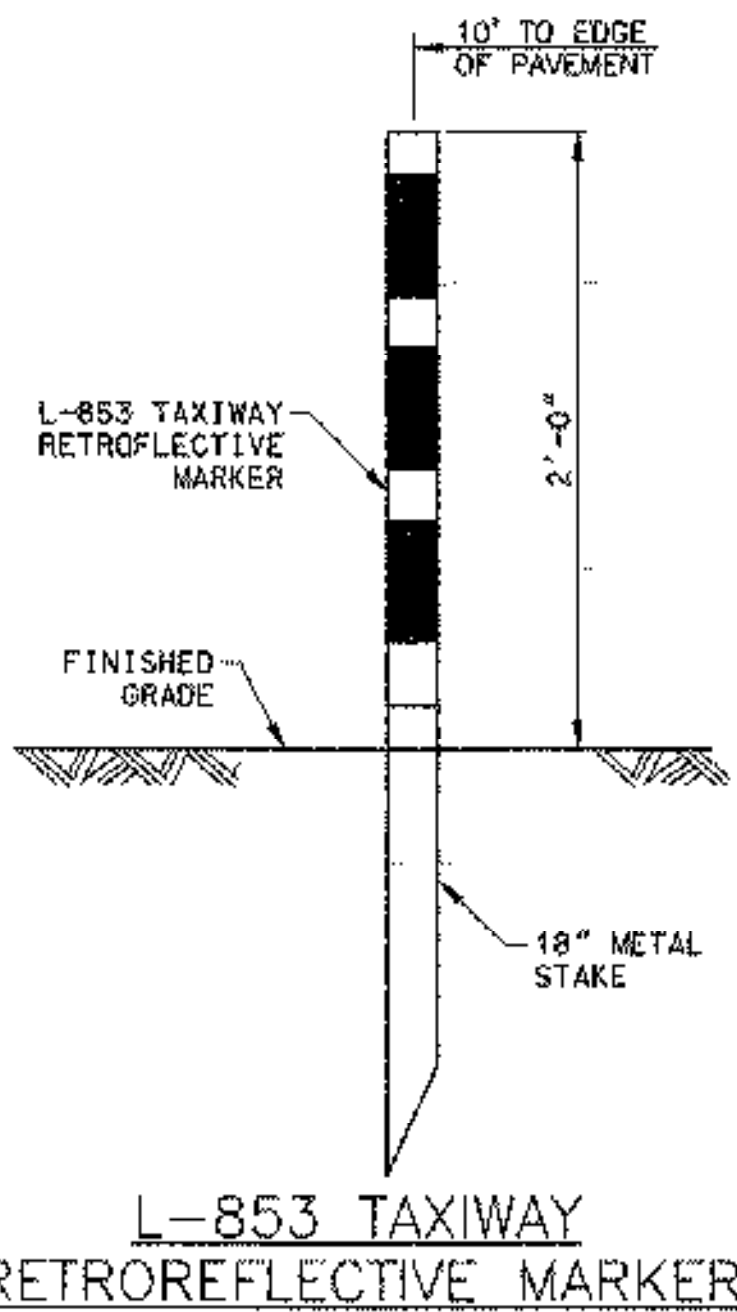
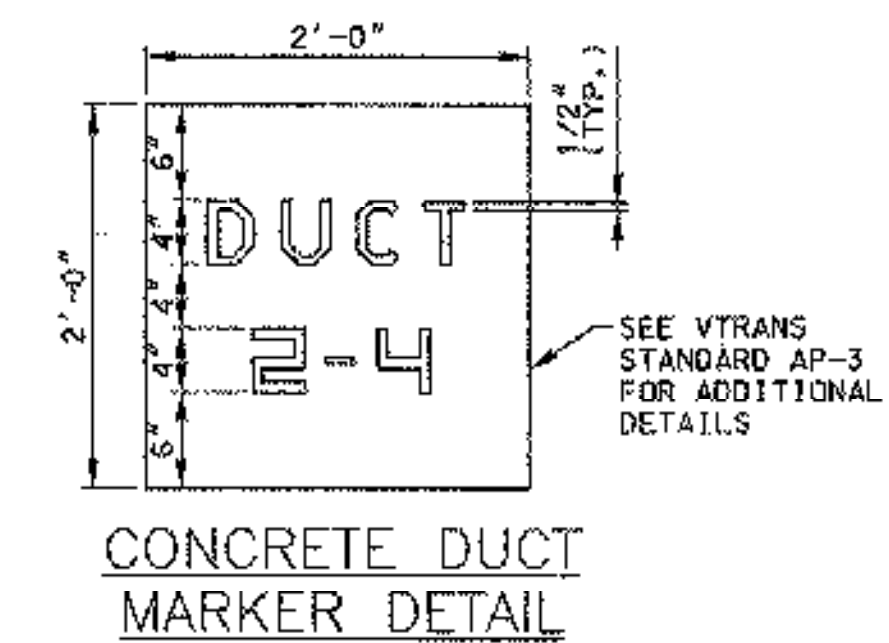
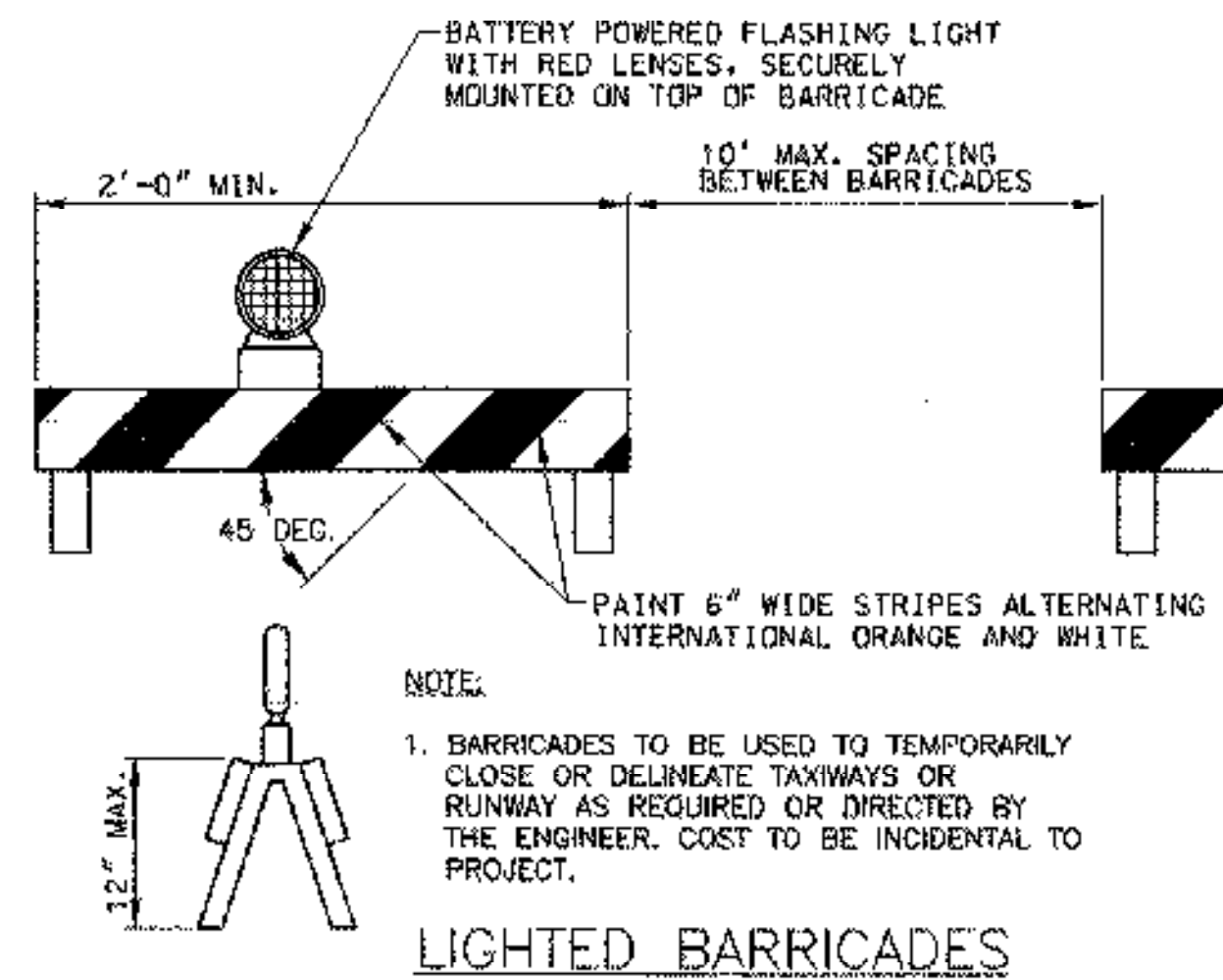
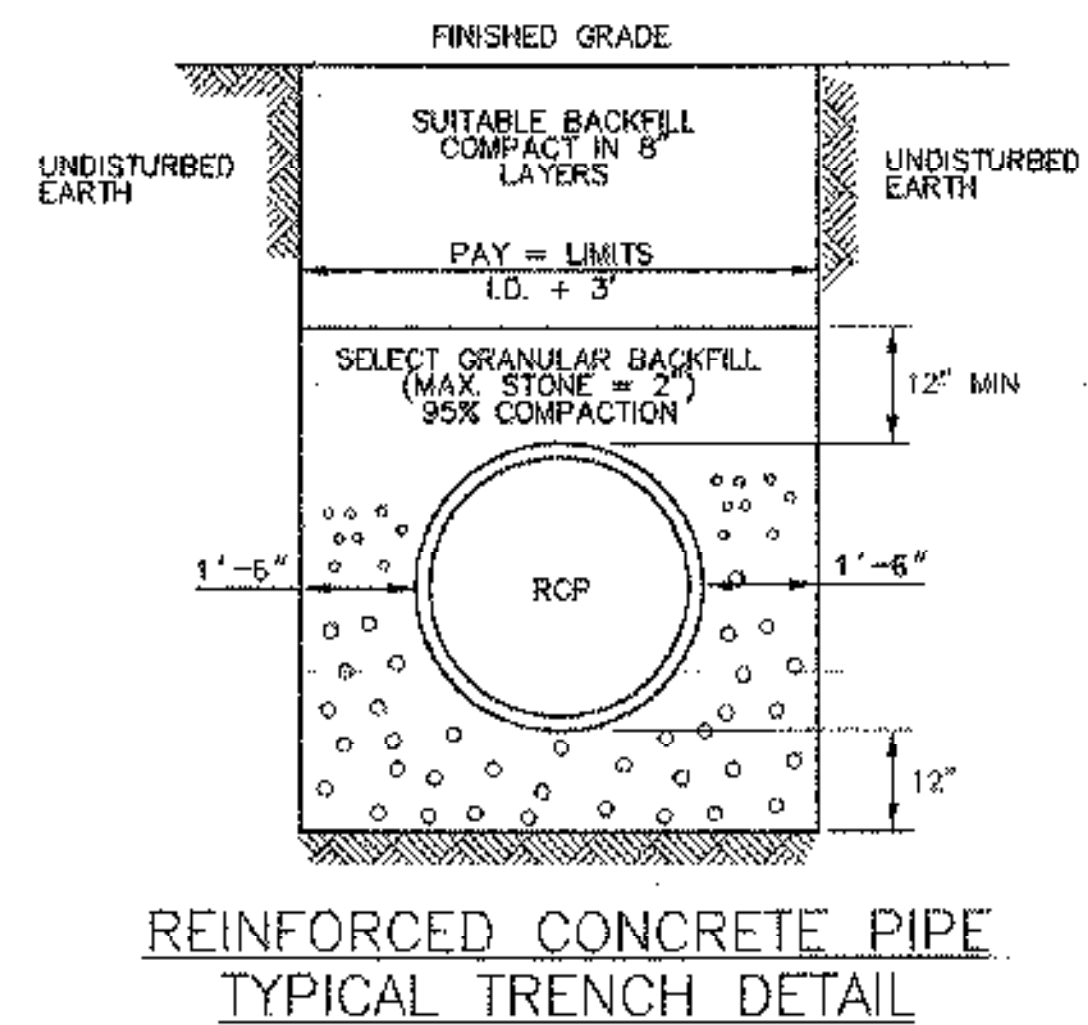
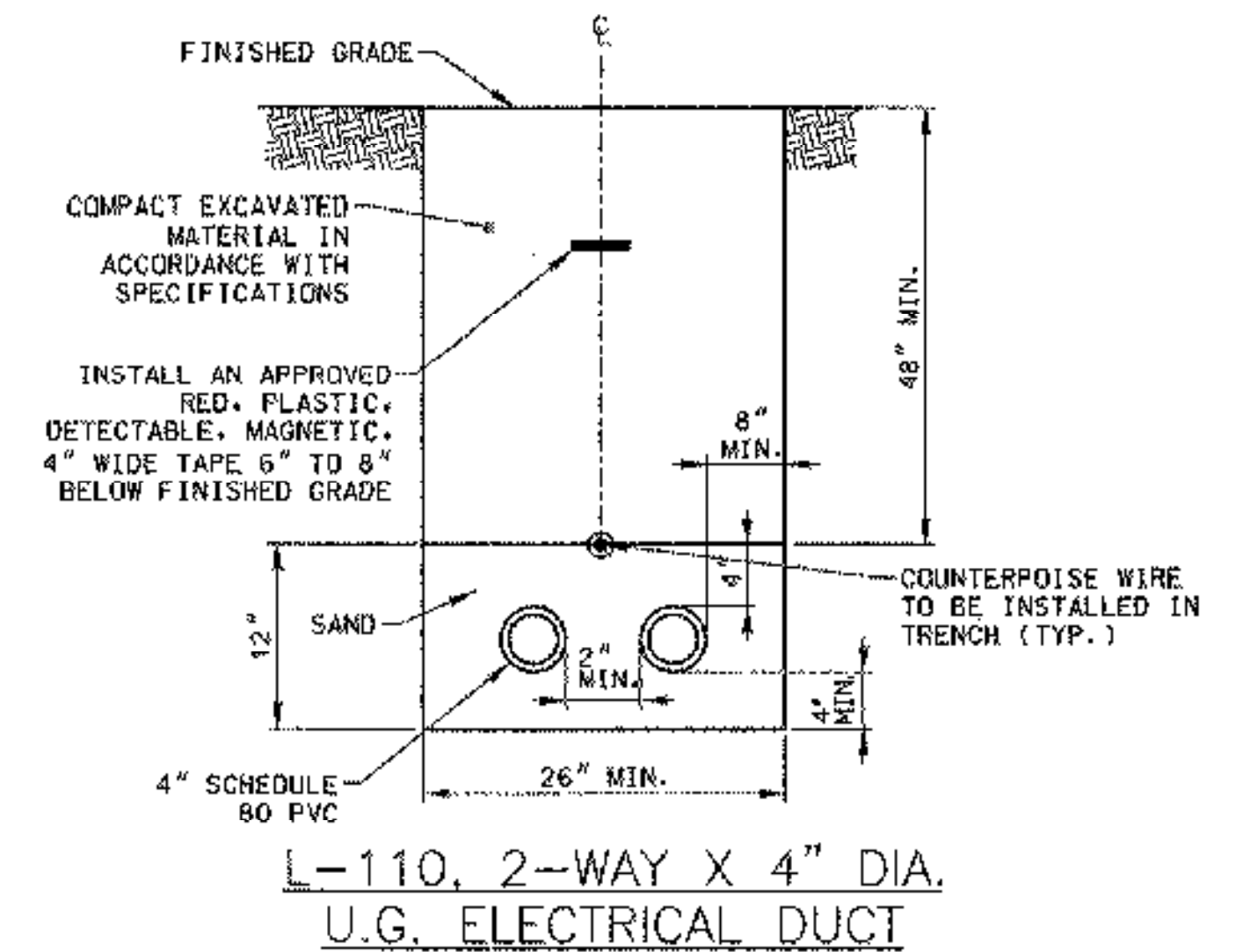
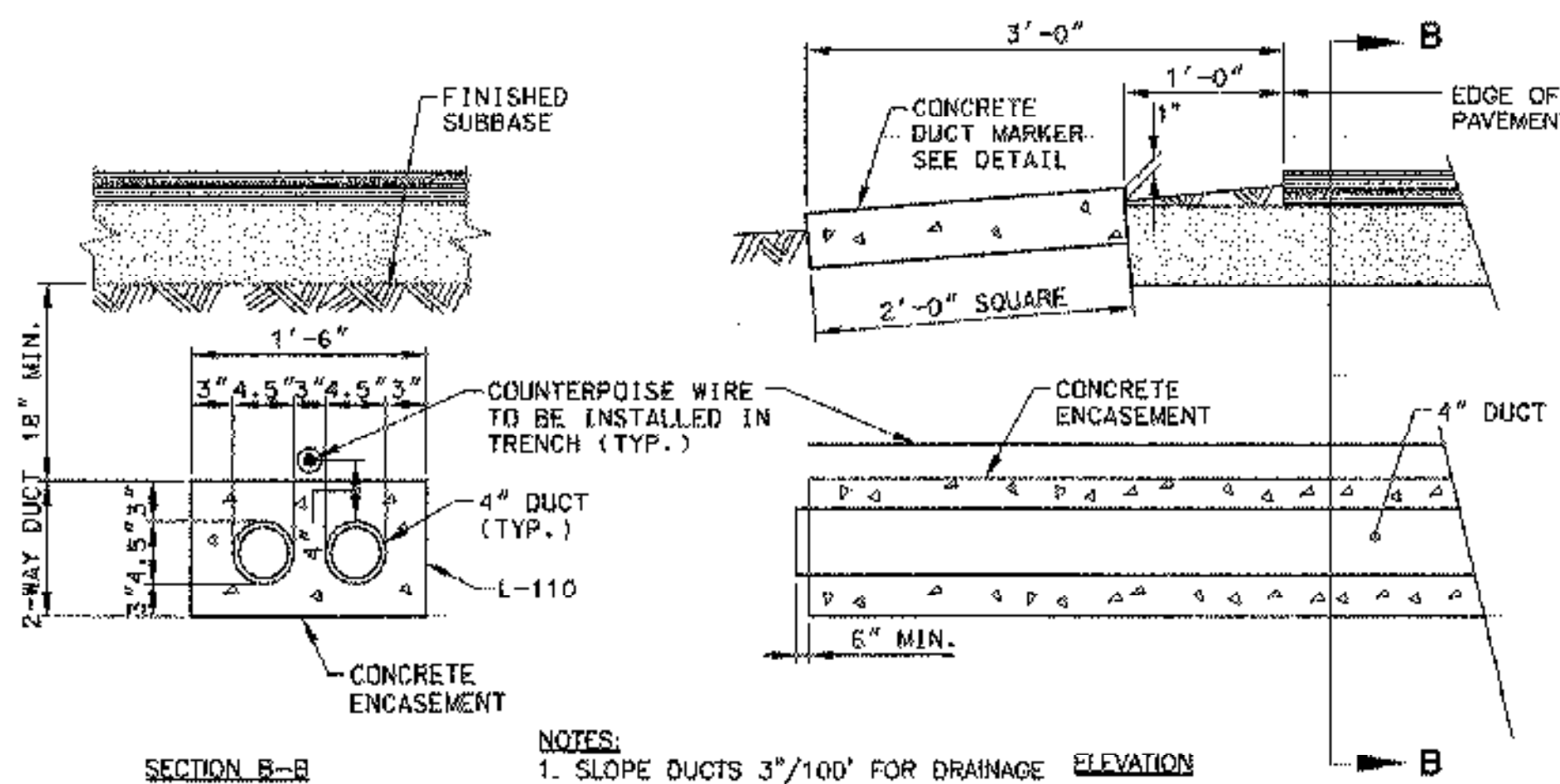


CHART FOR UNDERDRAIN BACKFILL
 BACKFILL FOR UNDERDRAIN SHALL MEET THE FOLLOWING GRADATION REQUIREMENTS:

SIEVE SIZE	PERCENT BY WEIGHT PASSING THE SQUARE MESH SIEVES
1.5"	100
1.0"	95-100
0.5"	60-80
NO. 4	40-55
NO. 8	5-25
NO. 16	0-12
NO. 30	0-5



NOTE:
 PAYMENT FOR INSTALLATION OF NEW TAXIWAY RETROREFLECTIVE MARKERS TO BE MADE UNDER ITEM 678.10 - DELINEATORS WITH STEEL POSTS (MOD. - TAXIWAY REFLECTORS).



NOTES:
 1. SLOPE DUCTS 3"/100' FOR DRAINAGE
 2. PROVIDE FULL NYLON PULL WIRES

L-110, 2-WAY X 4" DIA. U.G. ELECTRICAL DUCT (MOD. - CONCRETE ENCASED)

NOTES:
 CONSTRUCTION OF HEADWALL SHALL BE IN ACCORDANCE WITH CEMENT RUBBLE MASONRY STANDARD DETAIL. PAYMENT FOR HEADWALL SHALL BE MADE UNDER ITEM 602.15 CEMENT RUBBLE MASONRY. REINFORCING STEEL AND WIRE MESH SHALL BE CONSIDERED INCIDENTAL TO ITEM 602.15.

UNDERDRAIN ENDWALL DETAIL

THIS DETAIL NOT POSSIBLE TO DO DUE TO THE FLAT SLOPE IT WAS ELIMINATED AND REPLACED WITH STONE FILL

ALL DETAILS NOT TO SCALE

PROJECT NAME:	COVENTRY	FILE NAME:	Drainage & ElectricalDetails.dgn	PLOT DATE:	04/06/2005
PROJECT NUMBER:	AIR 04-3173	DESIGNED BY:	JDR	CHECKED BY:	JWT
		PROJECT LEADER:	JAA	DRAWN BY:	PGJ
					SHEET # OF 22
					DRAINAGE & ELECTRICAL DETAILS