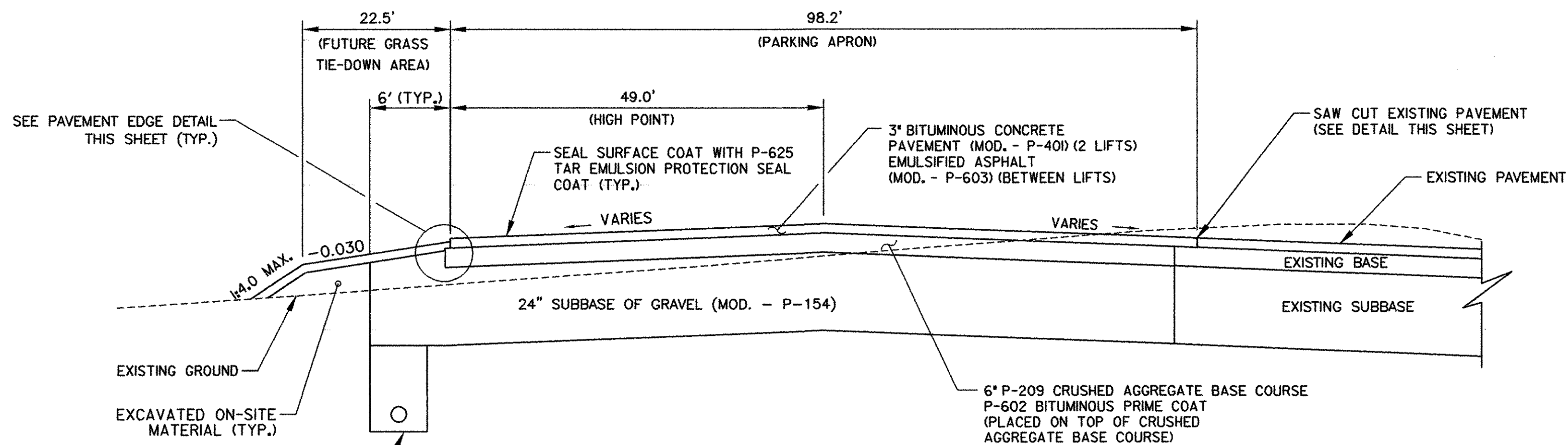
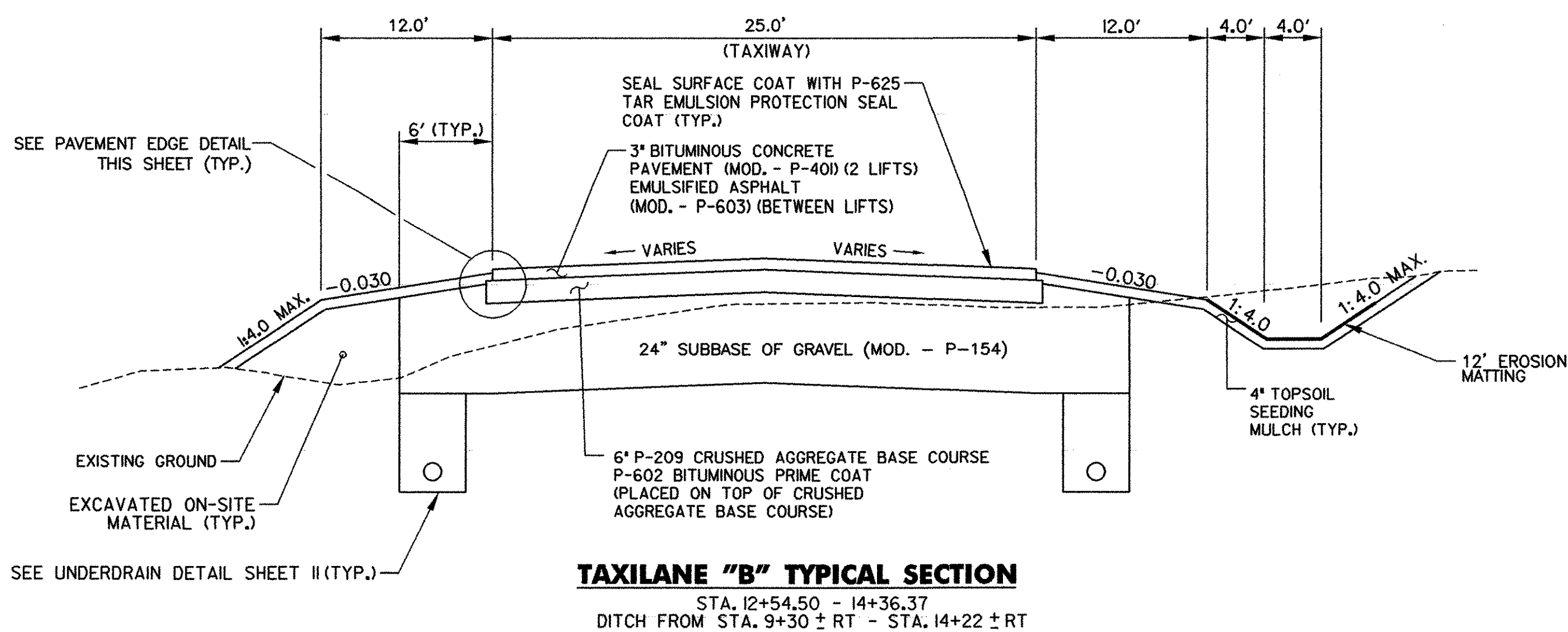


APRON TYPICAL SECTION
STA. 1+83.43 - 6+31.00

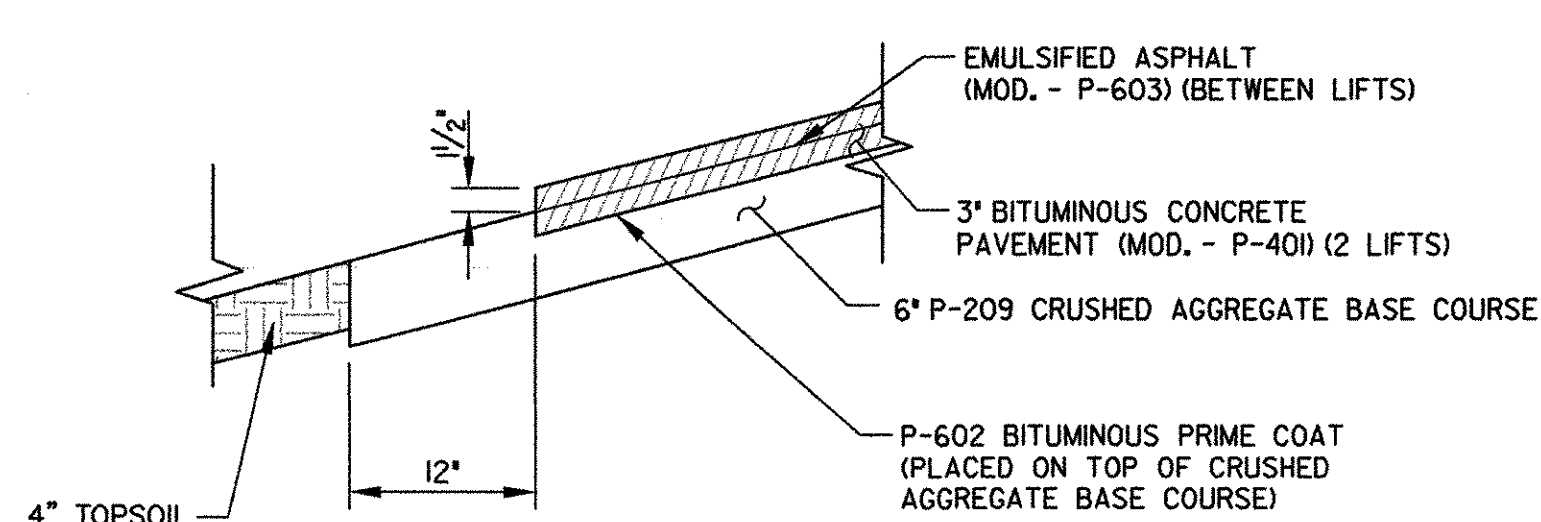


APRON TYPICAL SECTION
STA. 0+00.93 - STA. 1+83.43

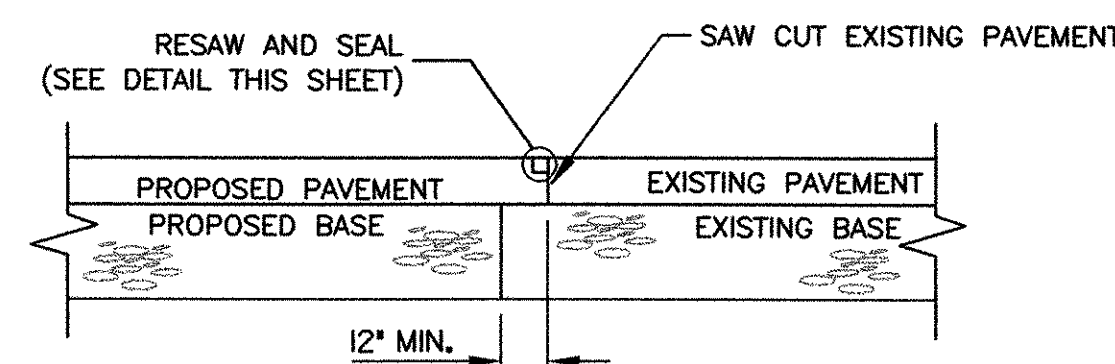


TAXILANE "B" TYPICAL SECTION

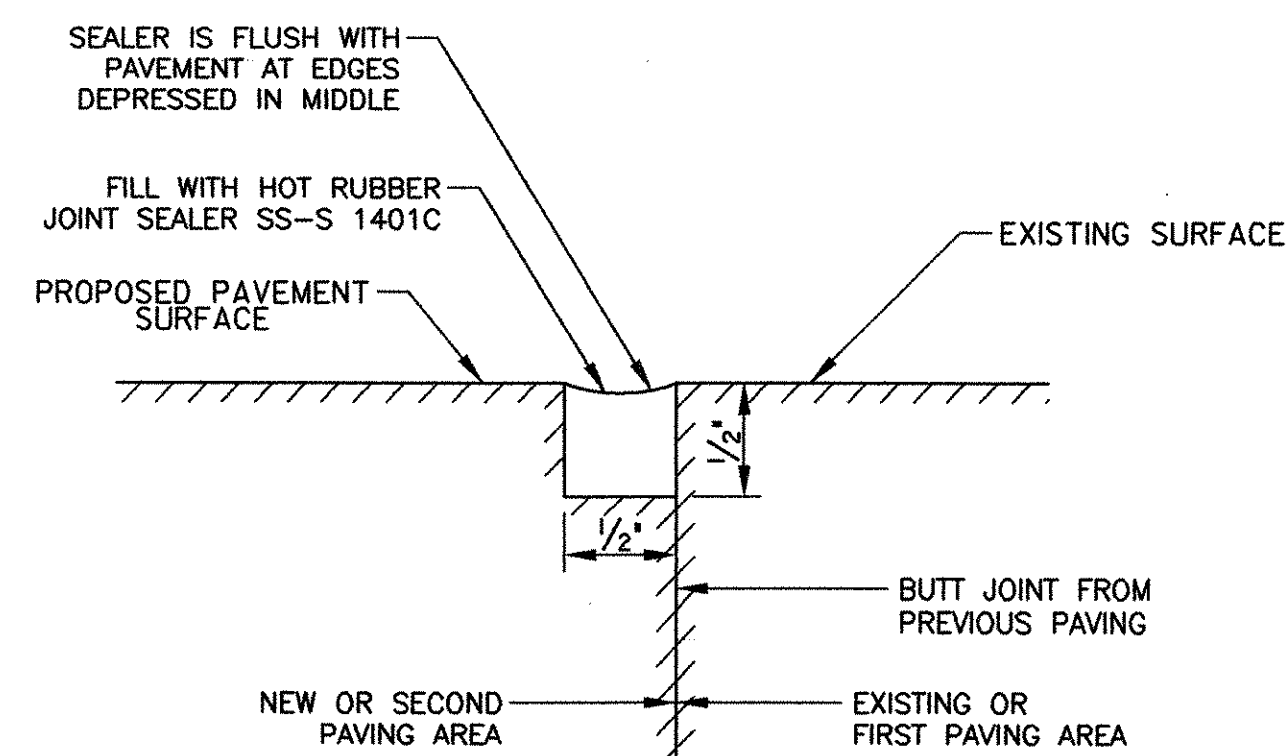
STA. 12+54.50 - 14+36.37
DITCH FROM STA. 9+30 ± RT - STA. 14+22 ± RT



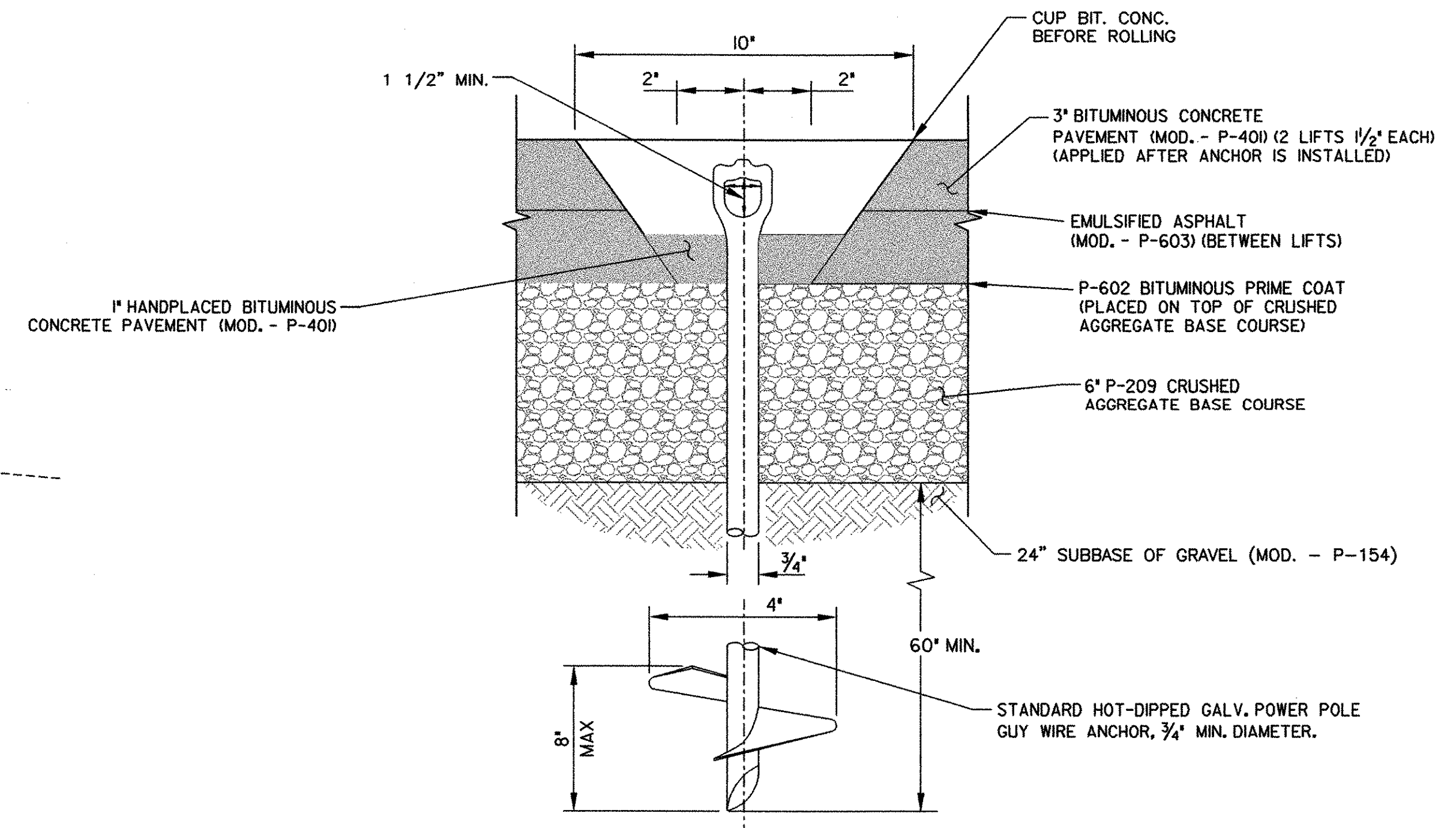
PAVEMENT EDGE DETAIL



SAWCUT JOINT DETAIL



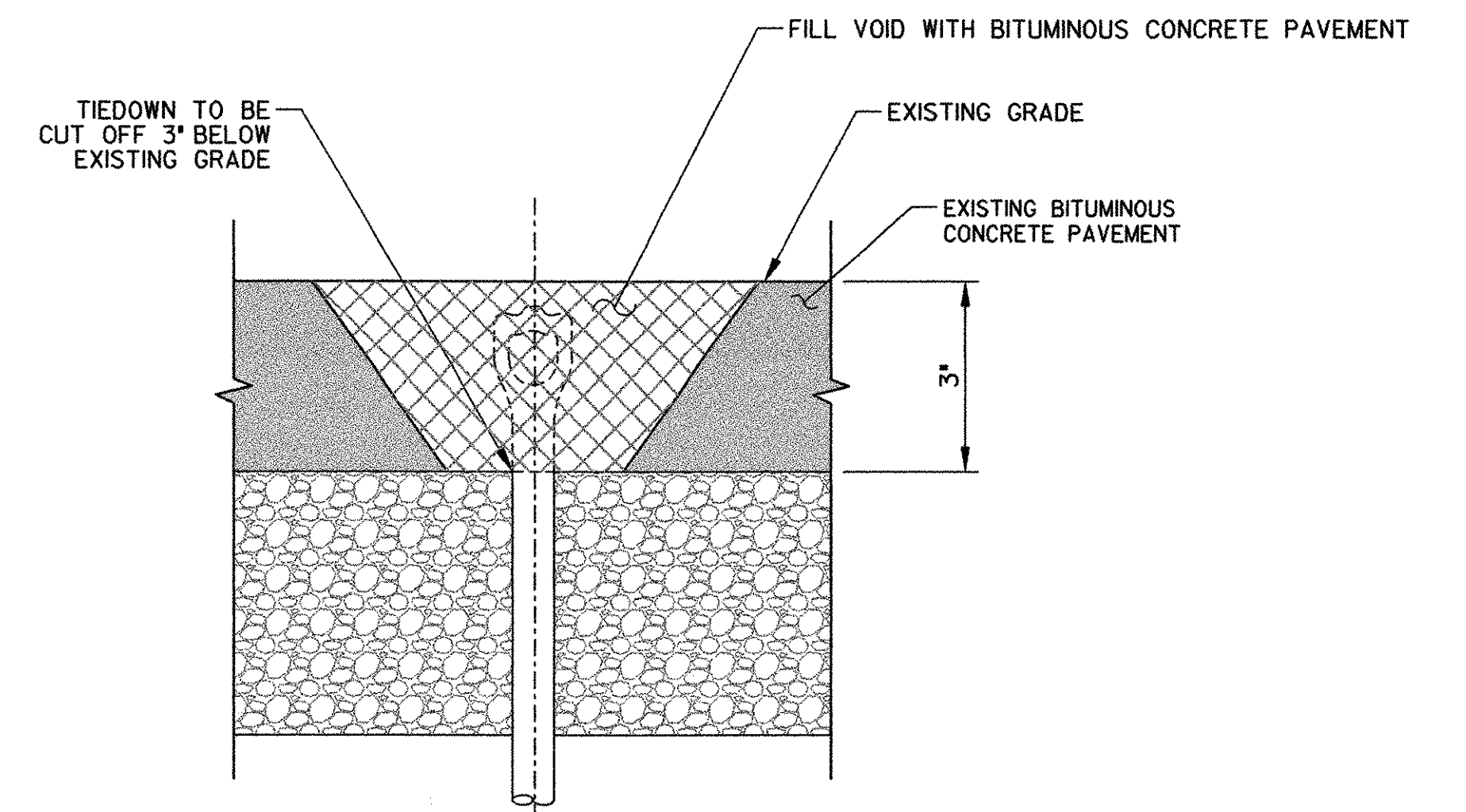
RESAW AND SEAL DETAIL



TIEDOWN ANCHOR DETAIL

NOTE:

WHERE TIEDOWNS ARE TO BE INSTALLED IN AREAS OF EXISTING PAVEMENT, PAVEMENT SHALL BE CORED AT LOCATION OF INSTALLATION TO A 10\"/>



TIEDOWN ANCHOR REMOVAL IN AREAS OUTSIDE OF EXCAVATION

NOTE:

WHERE TIEDOWNS OUTSIDE OF THE LIMITS OF CONSTRUCTION ARE TO BE REMOVED, THE TIEDOWN SHALL BE CUT AT A DISTANCE OF 3\"/>

ALL TYPICAL SECTIONS & DETAILS NOT TO SCALE

PROJECT NAME: COVENTRY
PROJECT NUMBER: AIR 04-3173

FILE NAME: Typical Sections.dgn
PROJECT LEADER: JAA
DESIGNED BY: JDR
TYPICAL SECTIONS

PLOT DATE: 04/06/2005
DRAWN BY: PGJ
CHECKED BY: JWT
SHEET 2 OF 22

TYPICAL SECTIONS.dgn 04/06/2005 08:38:22 AM