

DESCRIPTION	File No. 38397056d45
REV.	DATE
Job No.	38397056

RUTLAND STATE AIRPORT
CLARENDON, VERMONT

AIRFIELD LIGHTING DETAILS

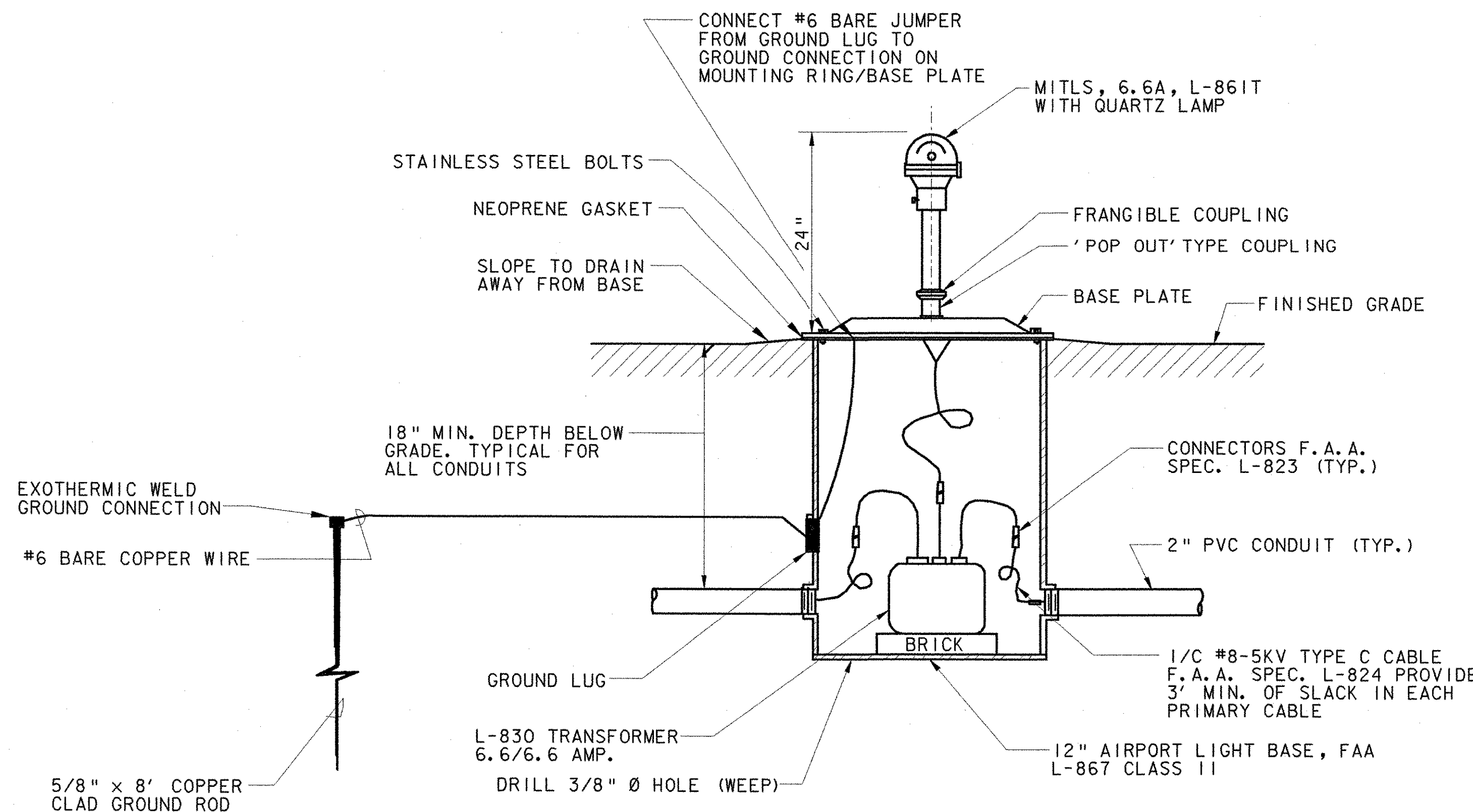
URS
28 CORPORATE DRIVE
CLIFTON PARK, NEW YORK

Designed by: G.W.D.
Drawn by: M.C.M.
Checked by: L.M.M.
Approved by: G.W.D.

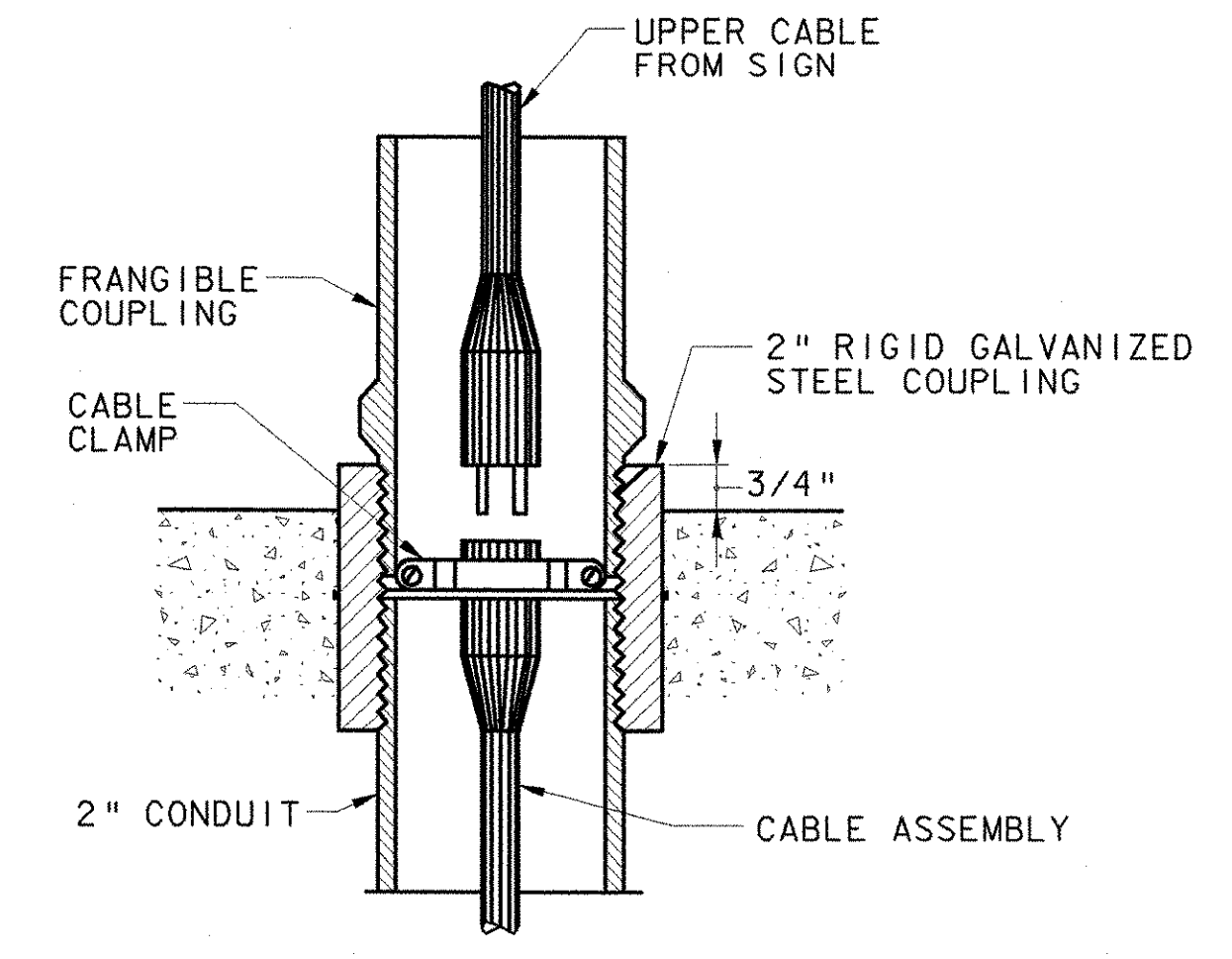
Scale: NTS
Date: MARCH, 2005
Sheet 10 of 13
Sheet No. 10

A.I.P. 3-50-0015-19

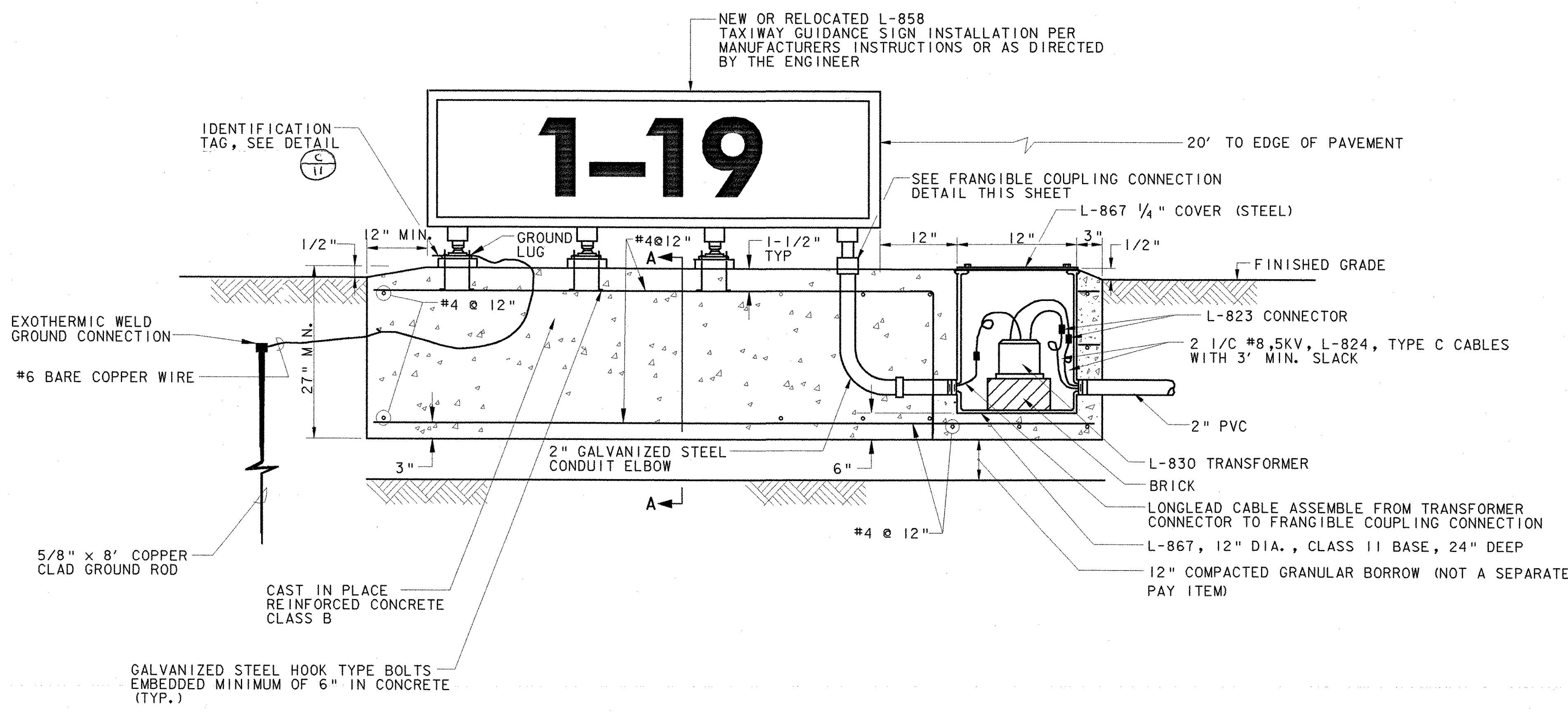
NOTE:
DO NOT FASTEN COUNTERPOISE
TO BASE CANS



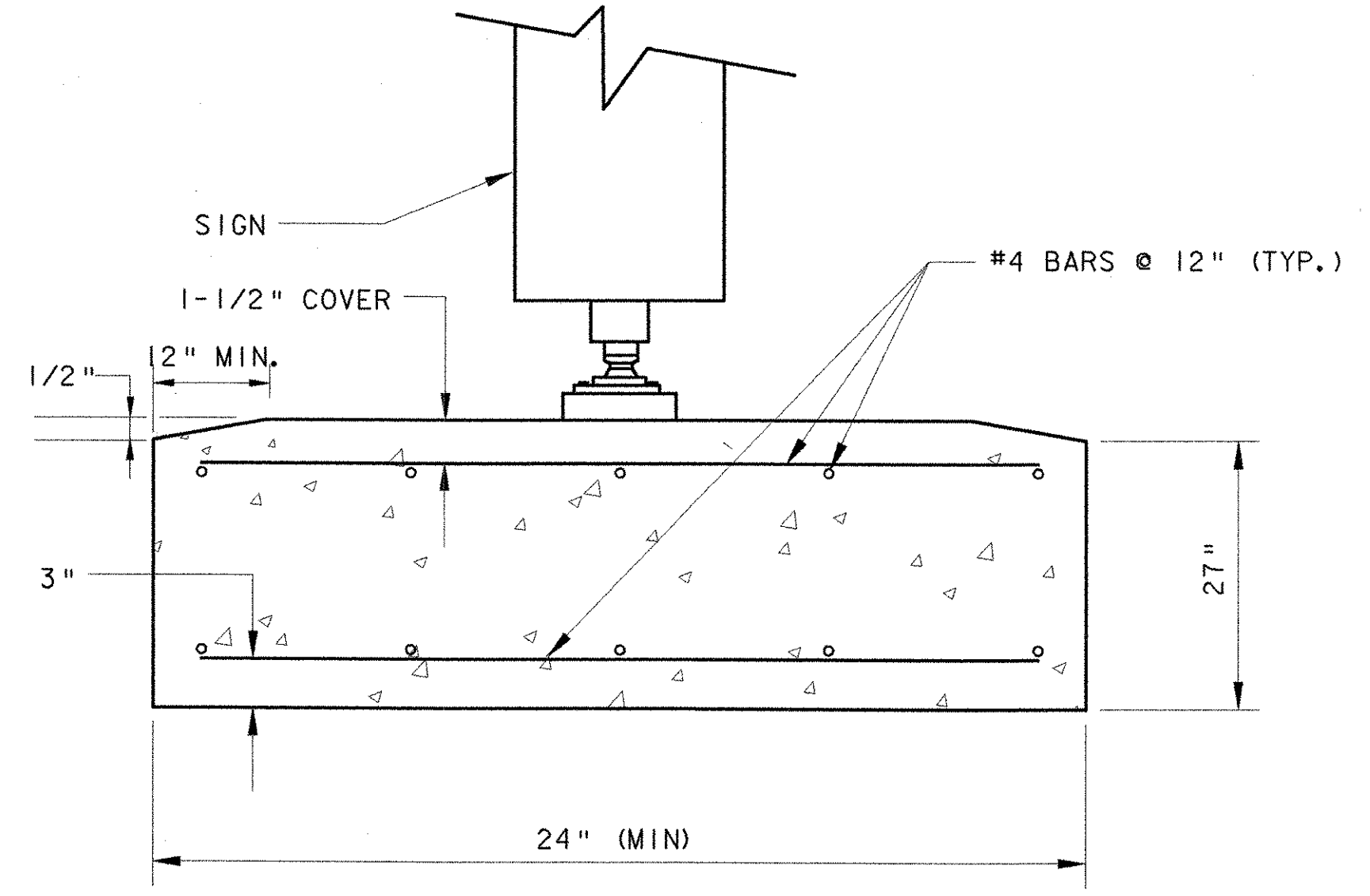
TYPICAL ELEVATED EDGE LIGHT (L-861T)
NOT TO SCALE



FRANGIBLE COUPLING CONNECTION DETAIL
NOT TO SCALE



L-858 TAXIWAY GUIDANCE SIGN
NOT TO SCALE



TAXIWAY GUIDANCE SIGN SECTION A-A
NOT TO SCALE

P:\38397036\Civil\Sheet\Project A Sheets\38397036del0.dgn
4/8/2005