



DESCRIPTION	FILE NO. 3837036B
REV.	DATE
Job No. 3837036	

RUTLAND STATE AIRPORT
CLARENDON, VERMONT

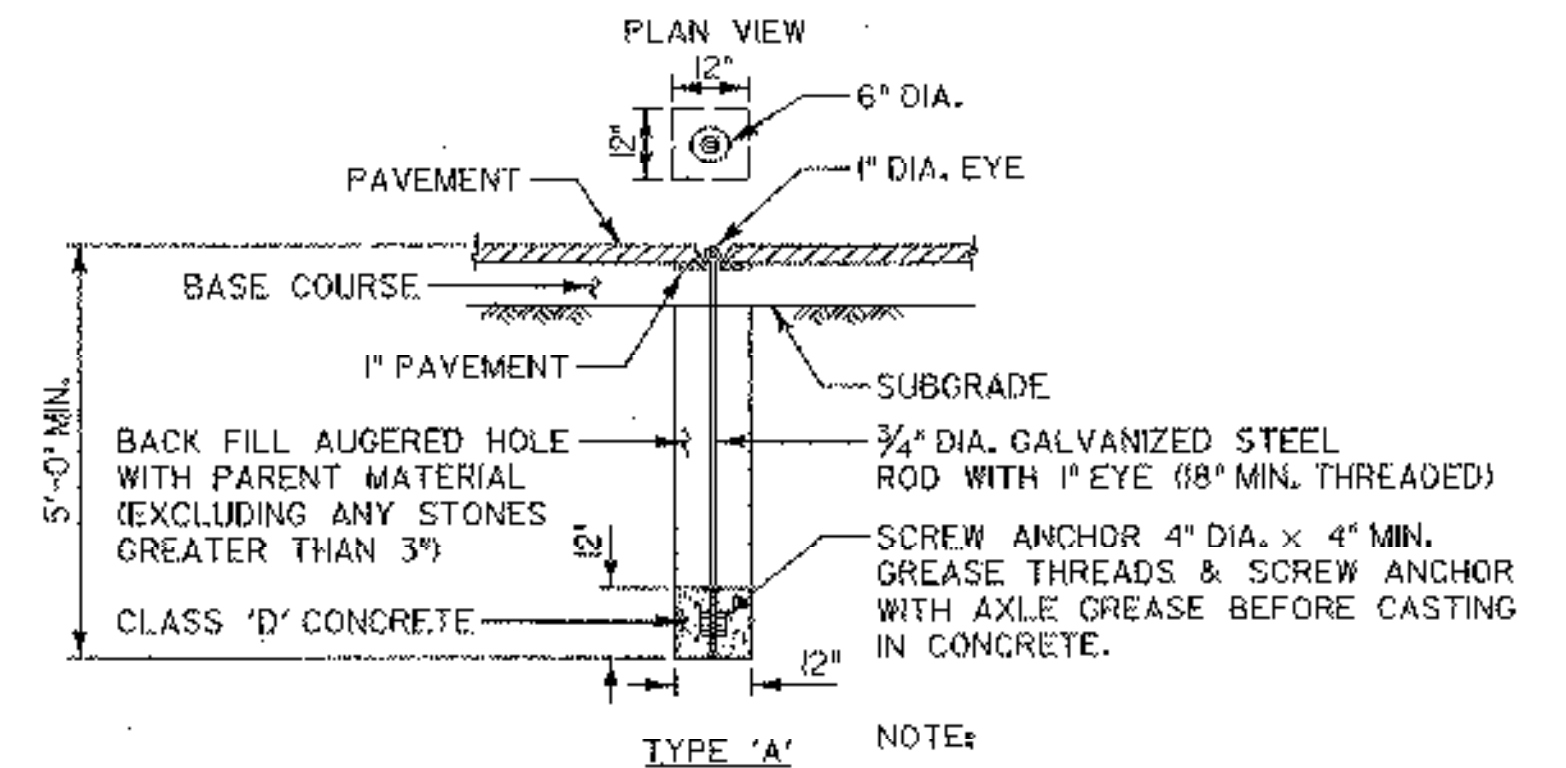
TAXIWAY F MARKING & SIGN PLAN

URS
28 CORPORATE DRIVE
CLIFTON PARK, NEW YORK

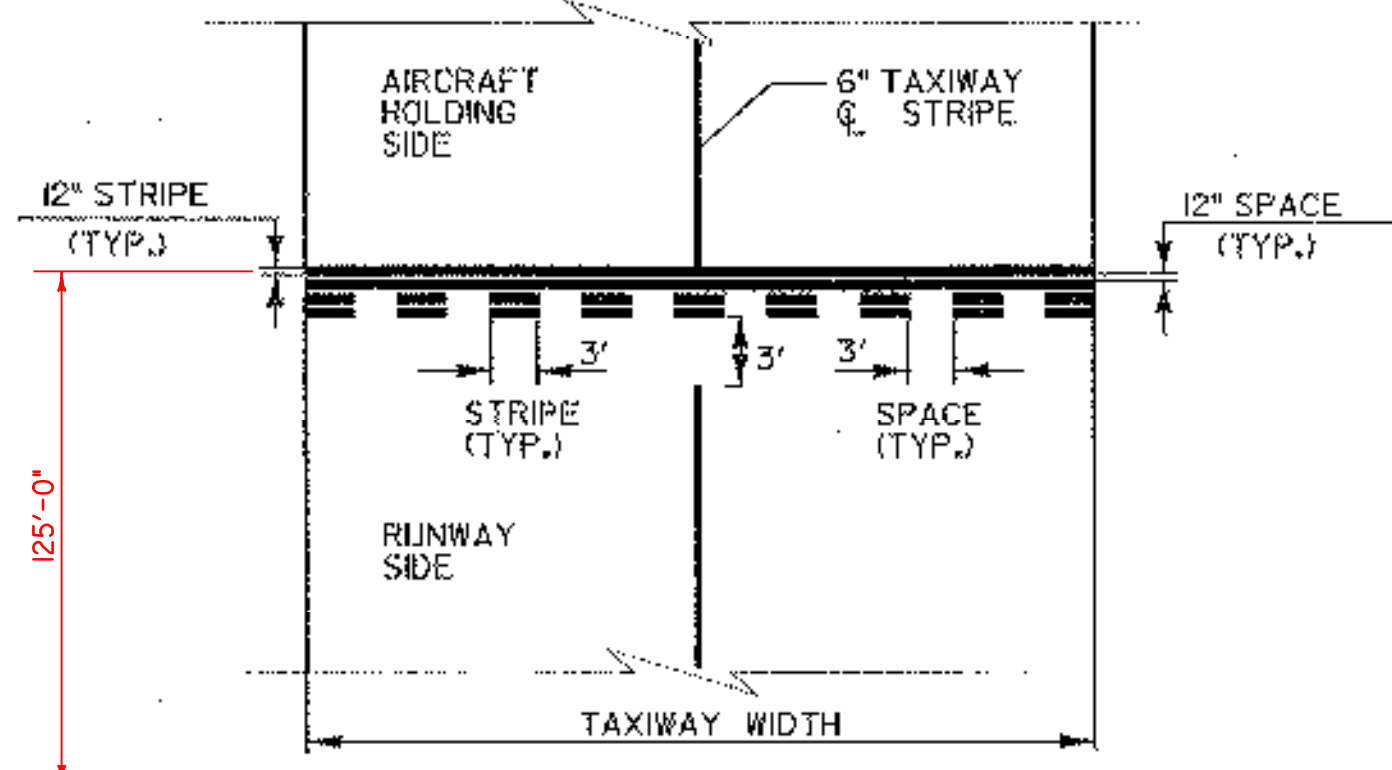
Designed by: R.P.D.	Drawn by: P.P.D.	Checked by: G.W.J.	Approved by: G.W.J.
Scale: 1"=50'	Date: MARCH, 2005	Sheet 8 of 13	Sheet No. 8

SIGN SCHEDULE						
SIGN	LEGEND	COLOR	TYPE	LOCATION	REMARKS	PAY ITEM
TG18R		(W/R) (BLANK)	MANDATORY	45' RT. 311+25	RELOCATE TG18	864.14
TG19R		(Y/B) (BLANK)	LOCATION	48' RT. 311+25	RELOCATE TG19	864.14
TG20		(BLANK) (B/Y)	DESTINATION	40' RT. 400+72.5	TO BE REMOVED	NOT A SEPARATE PAY ITEM
TG20B		(BLANK) (Y/B)	LOCATION	45' RT. 400+72.5	TO REMAIN	
TG20C		(BLANK) (B/Y)	DIRECTION	40' LT. 312+40	RELOCATE TO 40' RT. 400+72.5	864.14
TG21		(BLANK) (B/Y)	DIRECTION	40' LT. 400+72.5	TO BE REMOVED	NOT A SEPARATE PAY ITEM

NOTES:
 1. ALL SIGNS TO BE L-858, SIZE 1118" PANEL WITH 12" LEGENDS, STYLE 2, CLASS 2.
 2. COLORS
 Y/B = YELLOW LEGEND ON BLACK BACKGROUND
 B/Y = BLACK LEGEND ON YELLOW BACKGROUND



(A) AIRCRAFT TIE DOWN ANCHOR, TYPE A
ITEM 854.07
N.T.S.

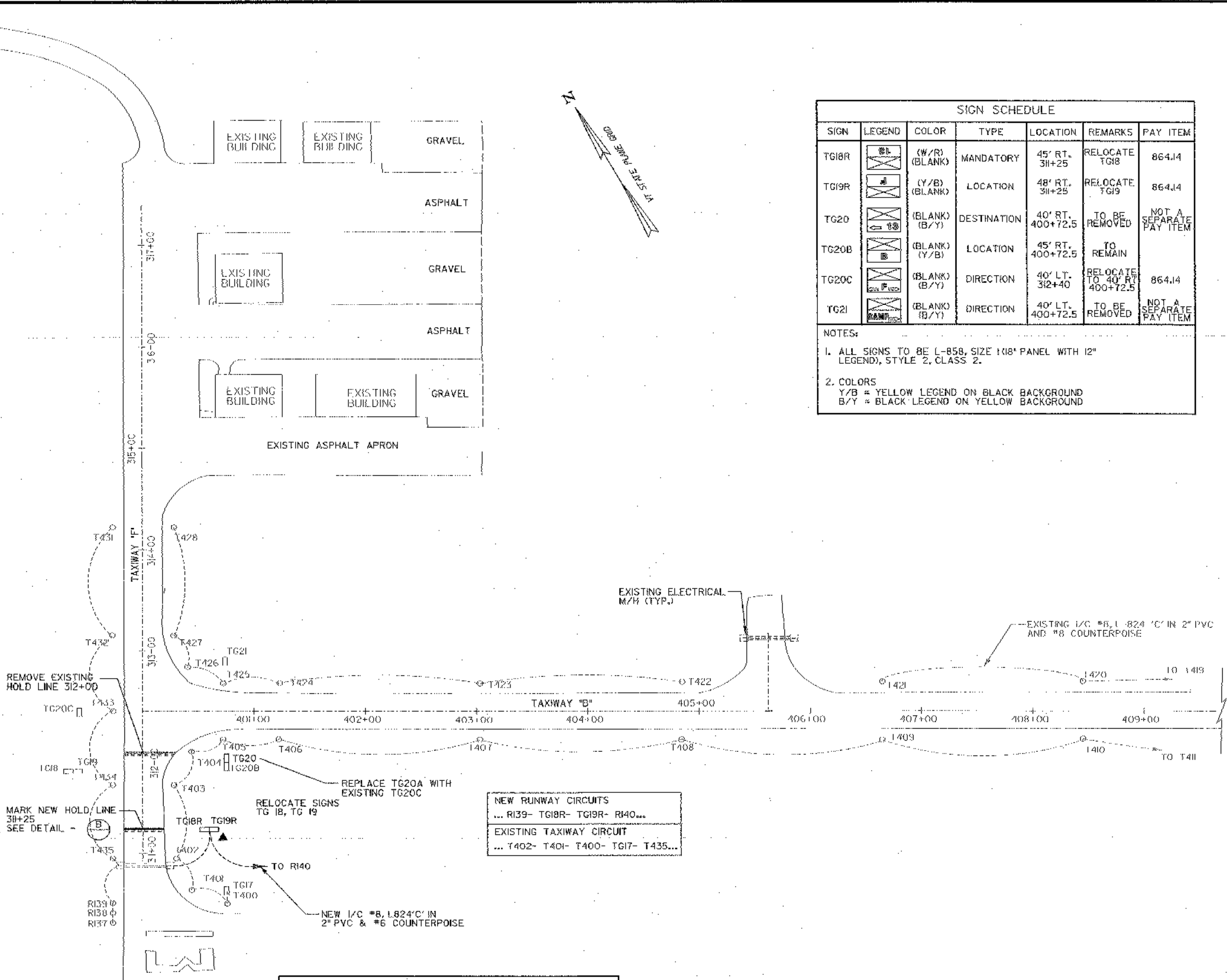


(B) RUNWAY HOLD LINE STRIPE (TYP.)
N.T.S.

- NOTES
- TAXIWAY MARKINGS SHALL CONFORM TO AC 150/5340-1H AND VTRANS STANDARD DRAWING AP-6.
 - ALL TAXIWAY MARKINGS SHALL BE YELLOW, REFLECTIVE USING GLASS BEADS.
 - WHEN DIRECTED BY THE ENGINEER, THE EXISTING SIGN BASES CAN BE LEFT IN PLACE AND CABLES SPLICED IN EXISTING LIGHT BASE CANS, NEW SOLID STEEL COVERS TO BE PLACED ON THE CAN (NOT A SEPARATE PAY ITEM).



A.I.P. 3-50-0015-19



LEGEND	
	EXISTING TAXIWAY LIGHTS (M.T.L.S.)
	EXISTING TAXIWAY GUIDANCE SIGN
	RELOCATED TAXIWAY GUIDANCE SIGN
	NEW 5/8" dia. X 8' COPPER CLAD GROUND ROD
	EXISTING UNDERGROUND ELECTRICAL
	PROPOSED UNDERGROUND ELECTRICAL

NEW RUNWAY CIRCUITS
 ... R139- TG18R- TG19R- R140...
 EXISTING TAXIWAY CIRCUIT
 ... T402- T401- T400- TG17- T435...

REMOVE EXISTING HOLD LINE 312+00
 MARK NEW HOLD LINE 311+25 SEE DETAIL
 REPLACE TG20A WITH EXISTING TG20C
 RELOCATE SIGNS TG 18, TG 19
 NEW 1/2" #8, 1.824' C' IN 2" PVC & #6 COUNTERPOISE