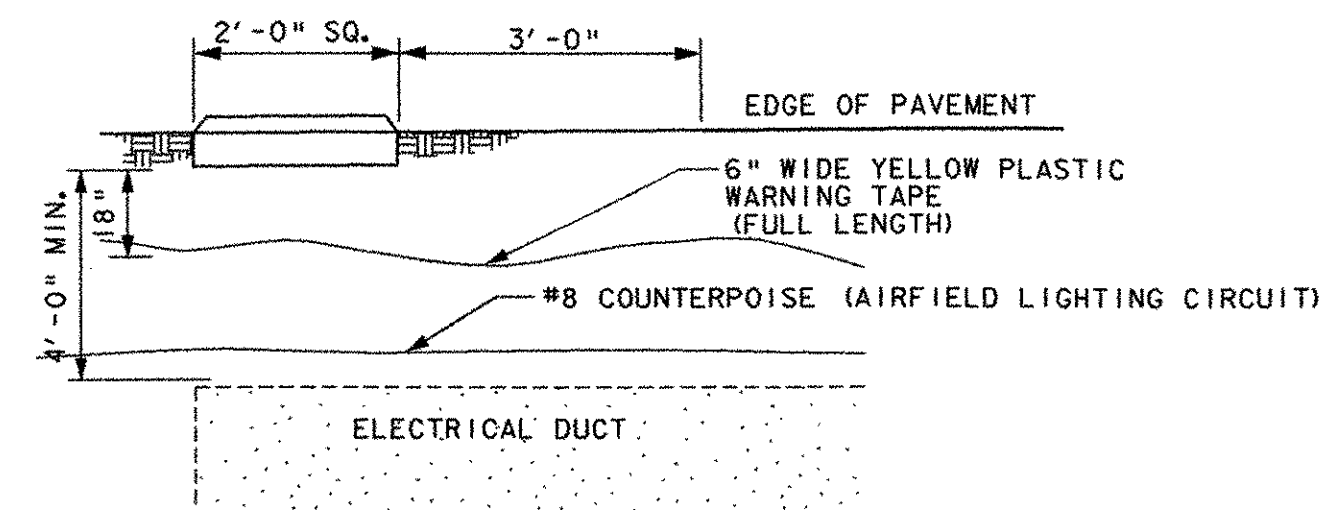
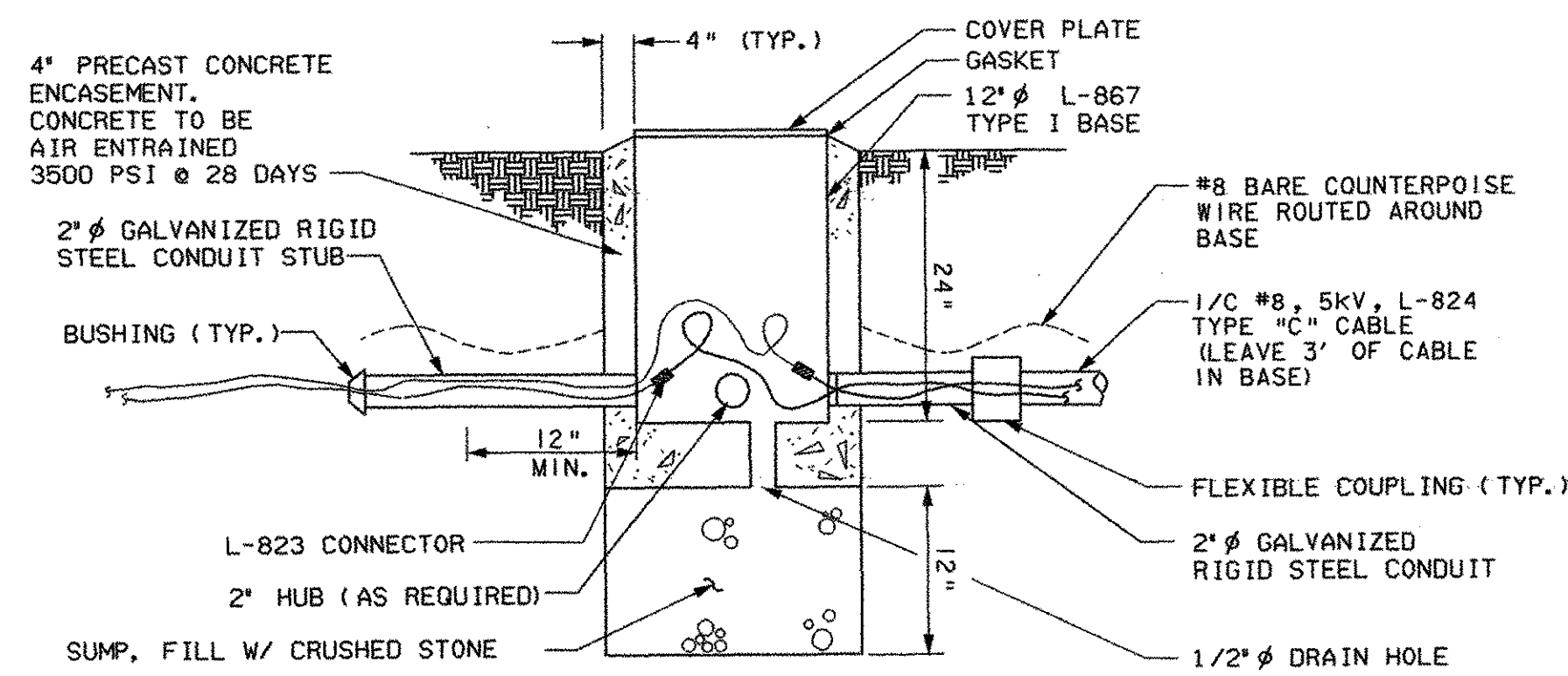


1 ELECTRICAL DUCT & MARKER DETAIL (ITEM 864.08) (MOD.)
NOT TO SCALE

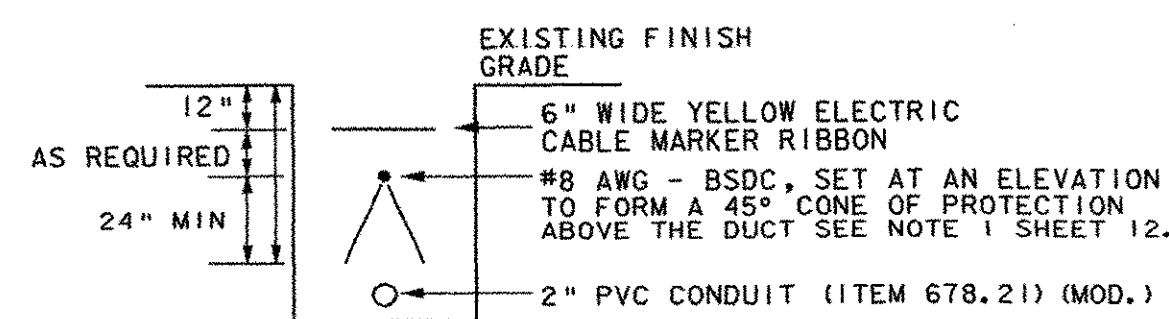


2 ELECTRICAL DUCT & MARKER INSTALLATION DETAIL
NOT TO SCALE

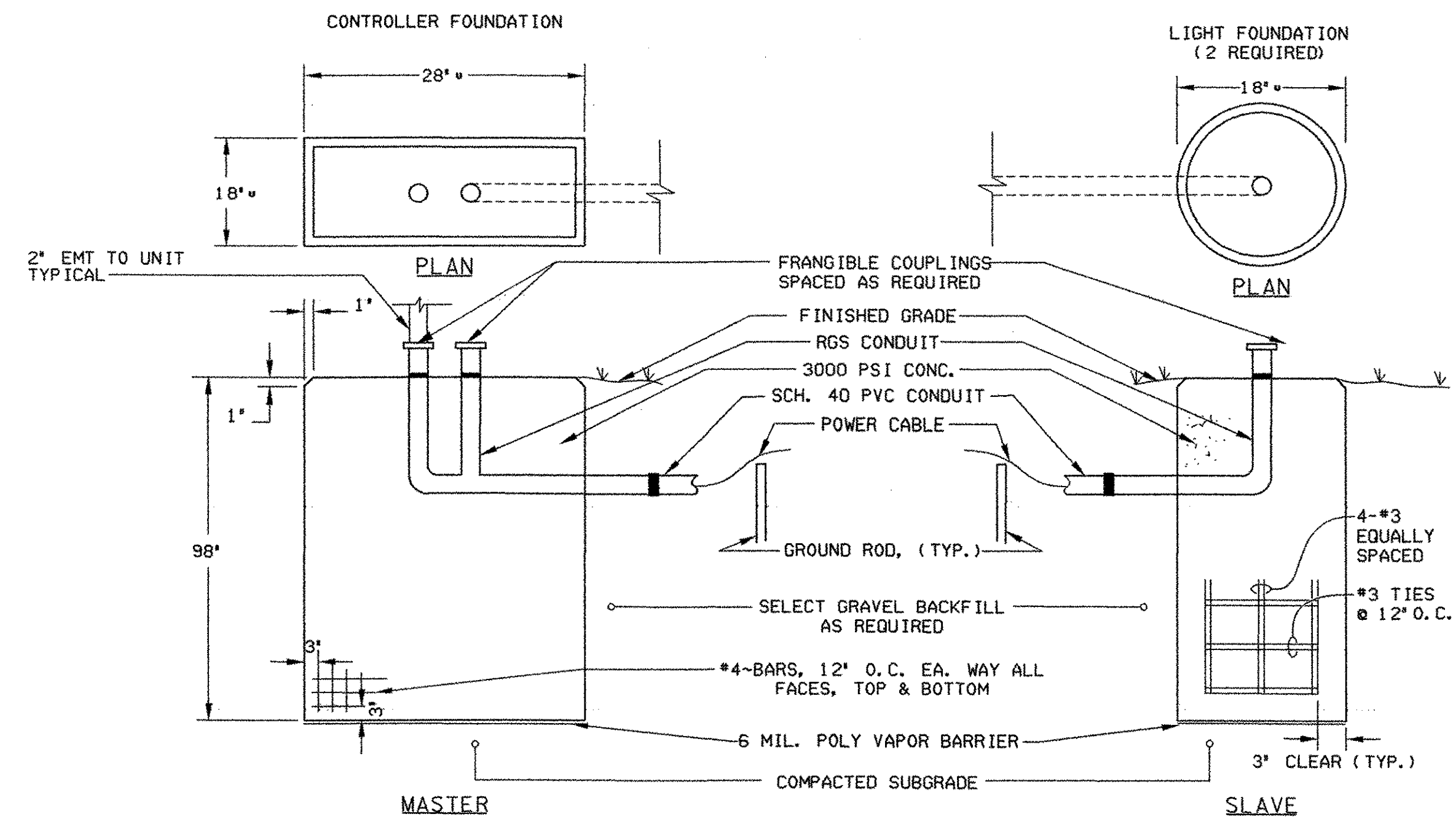


3 HAND HOLE (ITEM 604.11)
NOT TO SCALE

NOTE:
1. SPLICE EXISTING CABLE TO NEW IN HAND HOLE



4 UNDERGROUND CONDUIT INSTALLATION TYPICAL
NOT TO SCALE



NOTE:
1. TOP OF CONCRETE SLABS FLUSH W/ADJACENT GRADE. DISTURBED AREA LOAMED, SEEDED AND MULCHED.
2. INSTALL NEW HANDHOLE ADJACENT TO REIL UNIT (ITEM 604.11) (MOD.)

5 REIL' FOUNDATION (ITEM 864.13)
NOT TO SCALE



PROJECT NAME: FRANKLIN COUNTY AIRPORT
PROJECT NUMBER: AIR 04-3170

FILE NAME: ...z000frm.dgn
PROJECT LEADER: MLC
DESIGNED BY: MLC
ELECTRICAL DETAILS

PLOT DATE: 04/06/2004
DRAWN BY: JDO
CHECKED BY: DPD
SHEET 14 OF 17