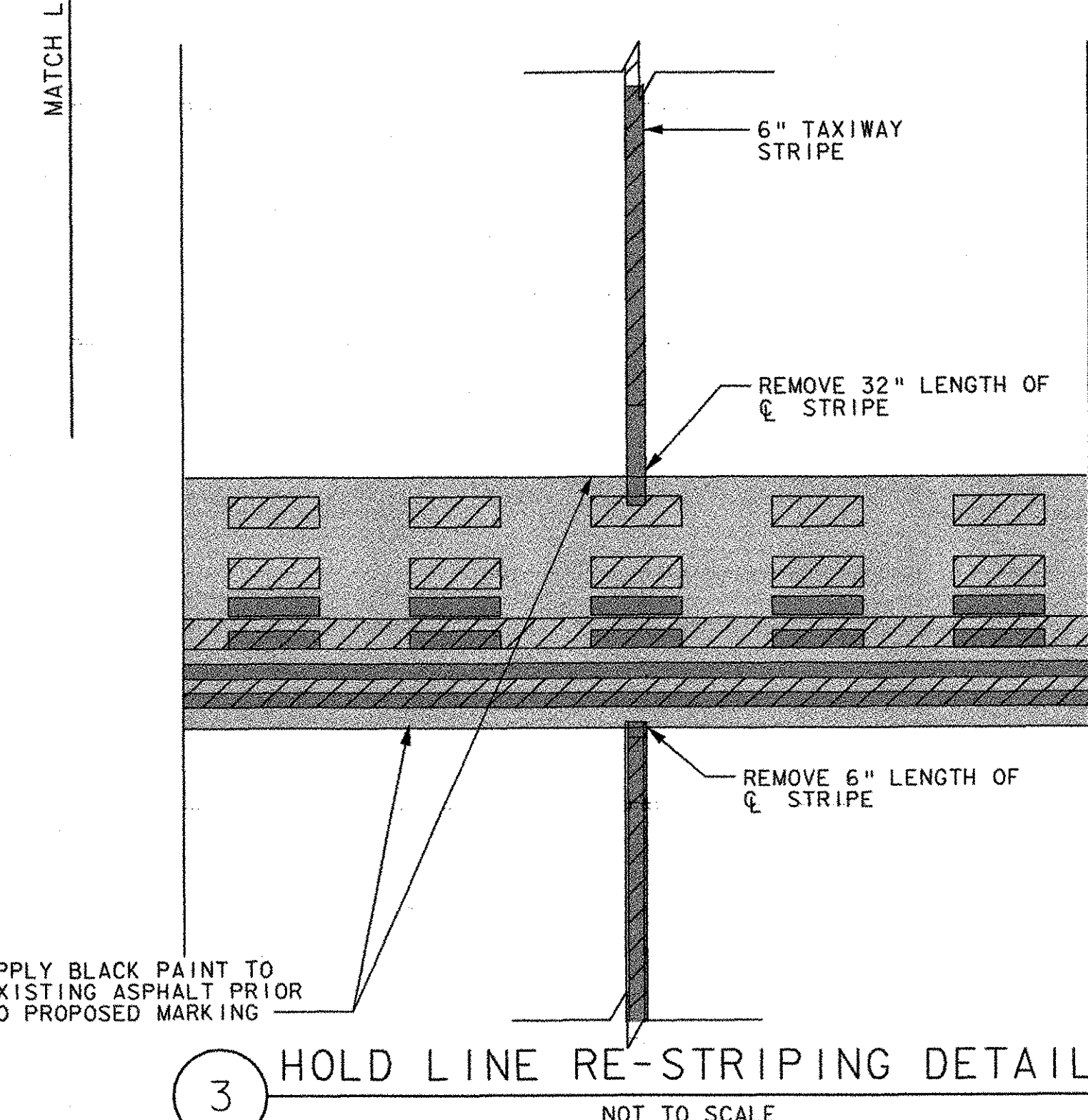
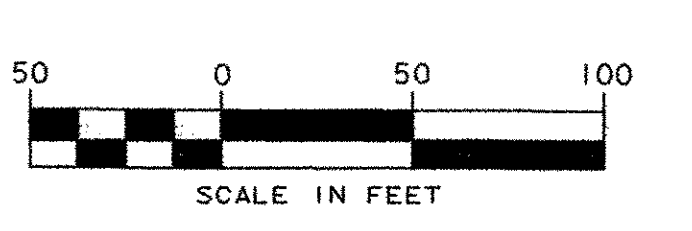


FOR CONTINUATION, SEE SHEET 9

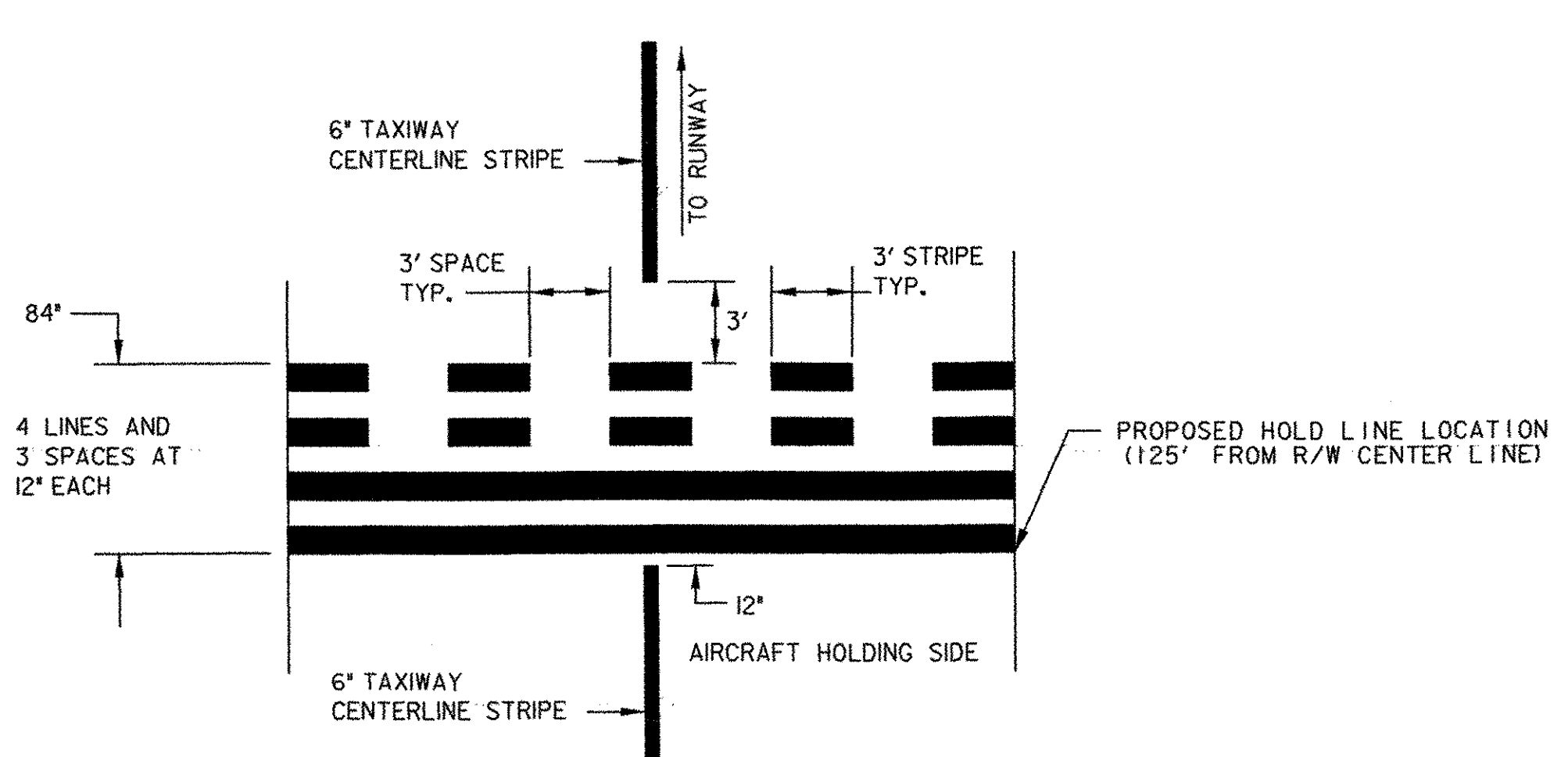
FOR CONTINUATION, SEE SHEET 9

FOR CONTINUATION, SEE SHEET 9

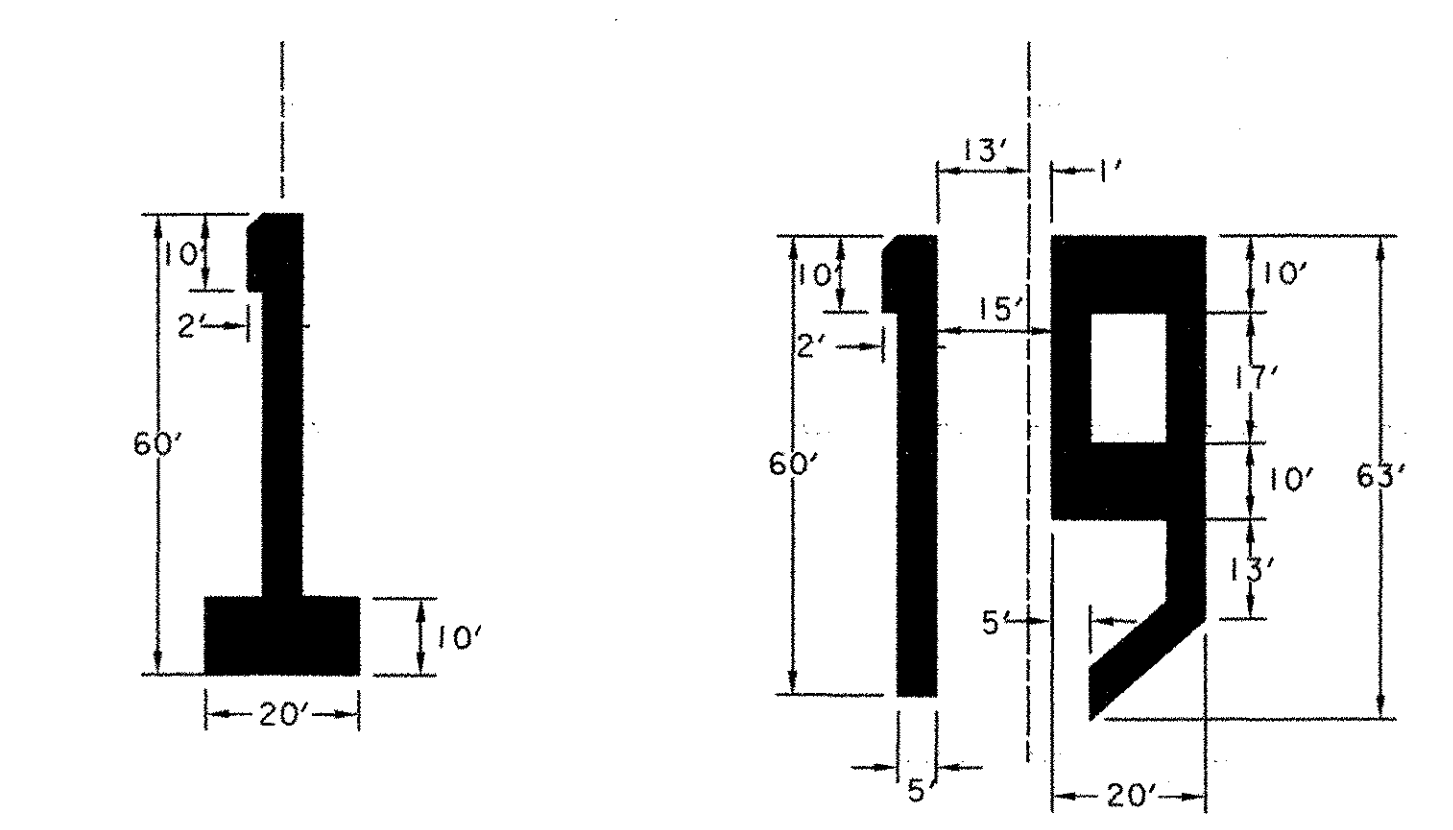
EXISTING MARKING TO BE REMOVED  
 NEW MARKINGS TO BE INSTALLED



3 HOLD LINE RE-STRIPING DETAIL  
 NOT TO SCALE



2 TYPICAL RUNWAY HOLDING POSITION MARKINGS  
 NOT TO SCALE



1 RUNWAY DESIGNATION NUMERALS  
 NOT TO SCALE

	PROJECT NAME: FRANKLIN COUNTY AIRPORT	PLOT DATE: 04/06/2004
	PROJECT NUMBER: AIR 04-3170	DRAWN BY: JDO
	FILE NAME: ...z000runwaymarking.dgn	CHECKED BY: DPD
	DESIGNED BY: MLC	SHEET 10 OF 17
	<b>RUNWAY MARKING PLAN</b>	