

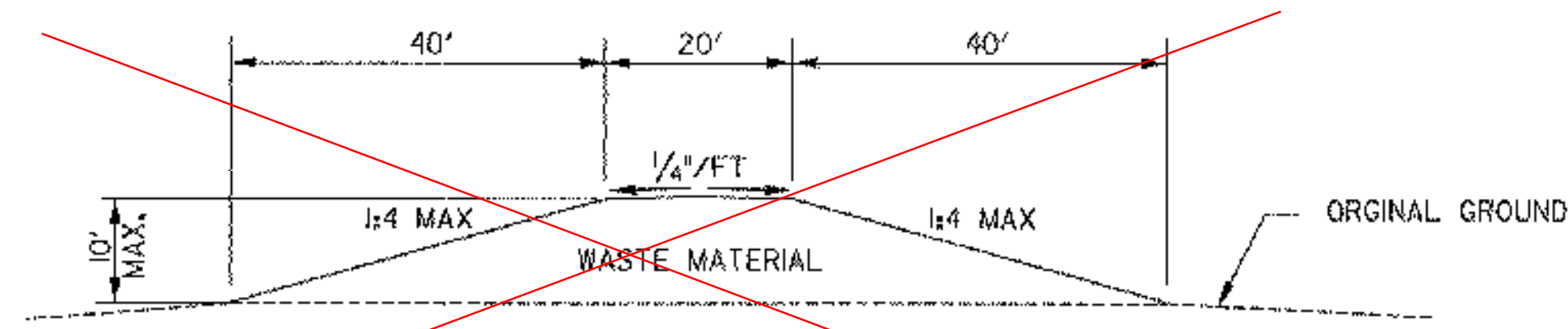
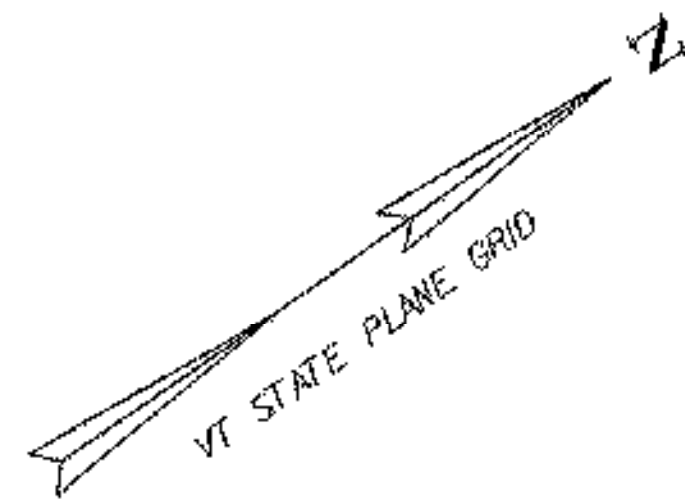
T.B.M. ELEV. 578.98
N.E. BOLT ON HYDRANT
BONNET

WASTE MATERIAL
DISPOSAL AREA. SEE
DETAIL THIS SHEET
(TOPSOIL AND SEED STOCKPILES
STORED LONGER THAN
24 HOURS)

TAXIWAY A

EXISTING 30 CM DIAMETER
MONUMENT W/SURVEY MARKER ON TOP

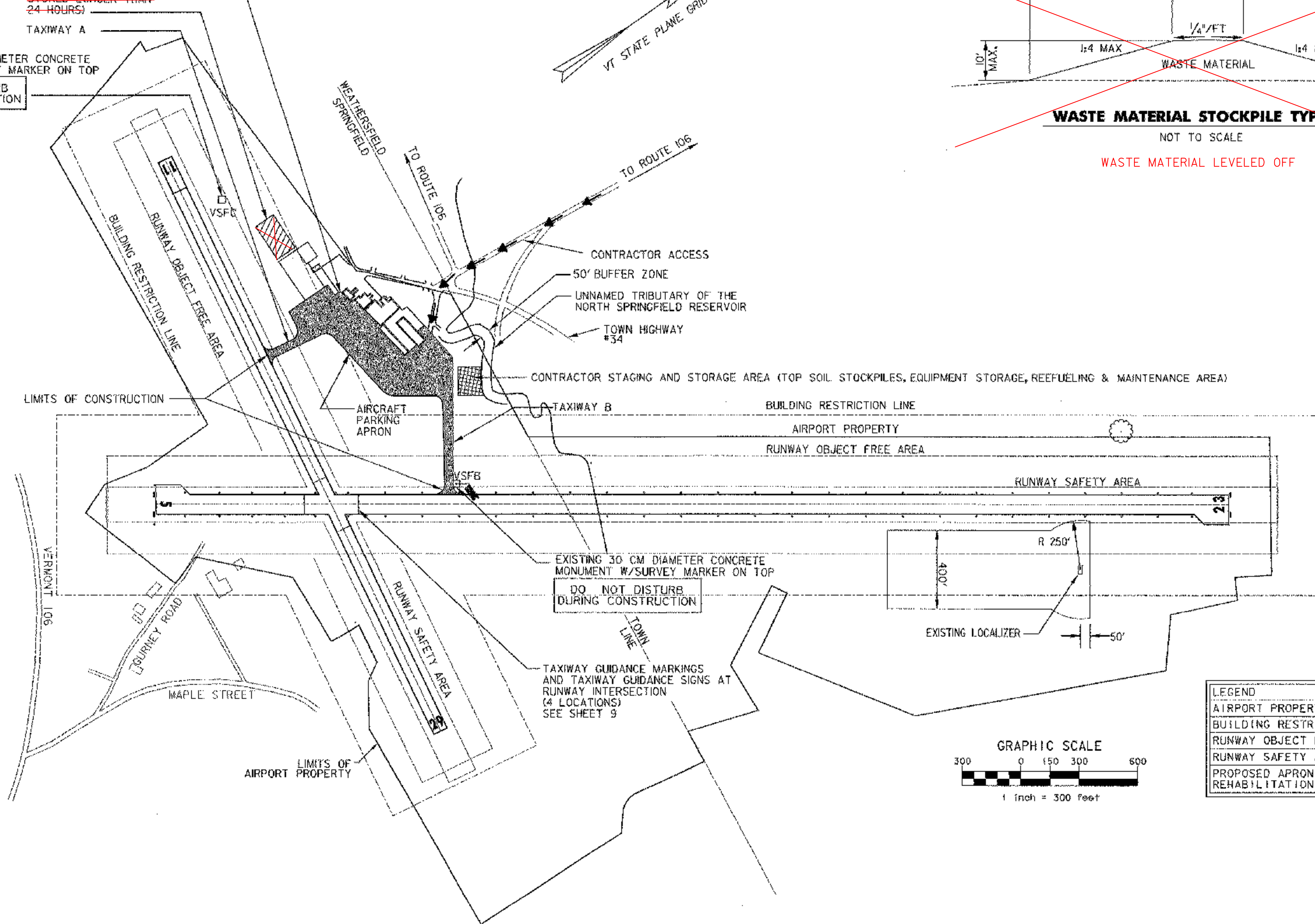
DO NOT DISTURB
DURING CONSTRUCTION



WASTE MATERIAL STOCKPILE TYPICAL

NOT TO SCALE

WASTE MATERIAL LEVELED OFF



LIMITS OF CONSTRUCTION

VERMONT
ROUTE 106

BL

BOURNEY ROAD

MAPLE STREET

LIMITS OF
AIRPORT PROPERTY

TAXIWAY GUIDANCE MARKINGS
AND TAXIWAY GUIDANCE SIGNS AT
RUNWAY INTERSECTION
(4 LOCATIONS)
SEE SHEET 9

EXISTING 30 CM DIAMETER CONCRETE
MONUMENT W/SURVEY MARKER ON TOP
DO NOT DISTURB
DURING CONSTRUCTION

TOWN
LINE

CONTRACTOR STAGING AND STORAGE AREA (TOP SOIL STOCKPILES, EQUIPMENT STORAGE, REFUELING & MAINTENANCE AREA)

TOWN HIGHWAY
#34

UNNAMED TRIBUTARY OF THE
NORTH SPRINGFIELD RESERVOIR

50' BUFFER ZONE

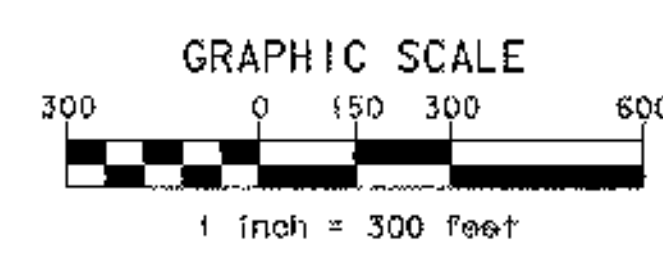
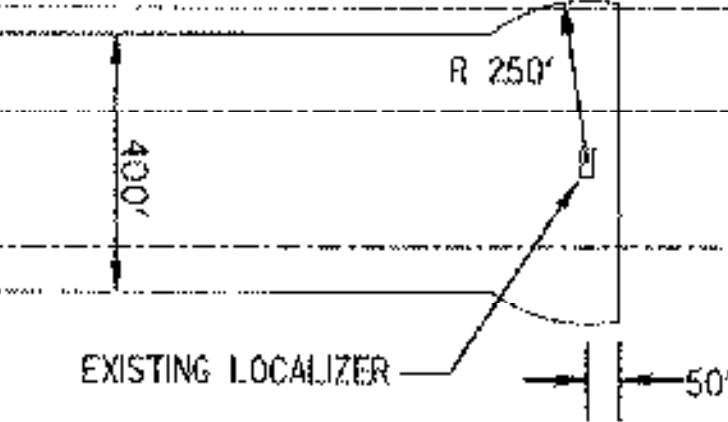
CONTRACTOR ACCESS

TO ROUTE 106

WEATHERSFIELD
SPRINGFIELD

BUILDING RESTRICTION LINE
AIRPORT PROPERTY
RUNWAY OBJECT FREE AREA

RUNWAY SAFETY AREA



LEGEND	
AIRPORT PROPERTY	[Symbol]
BUILDING RESTRICTION LINE (BRL)	[Symbol]
RUNWAY OBJECT FREE AREA (OFA)	[Symbol]
RUNWAY SAFETY AREA (RSA)	[Symbol]
PROPOSED APRON AND TAXIWAY REHABILITATION AREA	[Symbol]

	PROJECT NAME: HARTNESS APRON REHAB	PLOT DATE: 05/21/2003
	PROJECT NUMBER: 04-3161	DRAWN BY: TPL
	FILE NAME: overall.dgn	CHECKED BY: JBL
	DESIGNED BY: MCS	SHEET 10 OF 17
PROJECT WORK AREA PLAN		