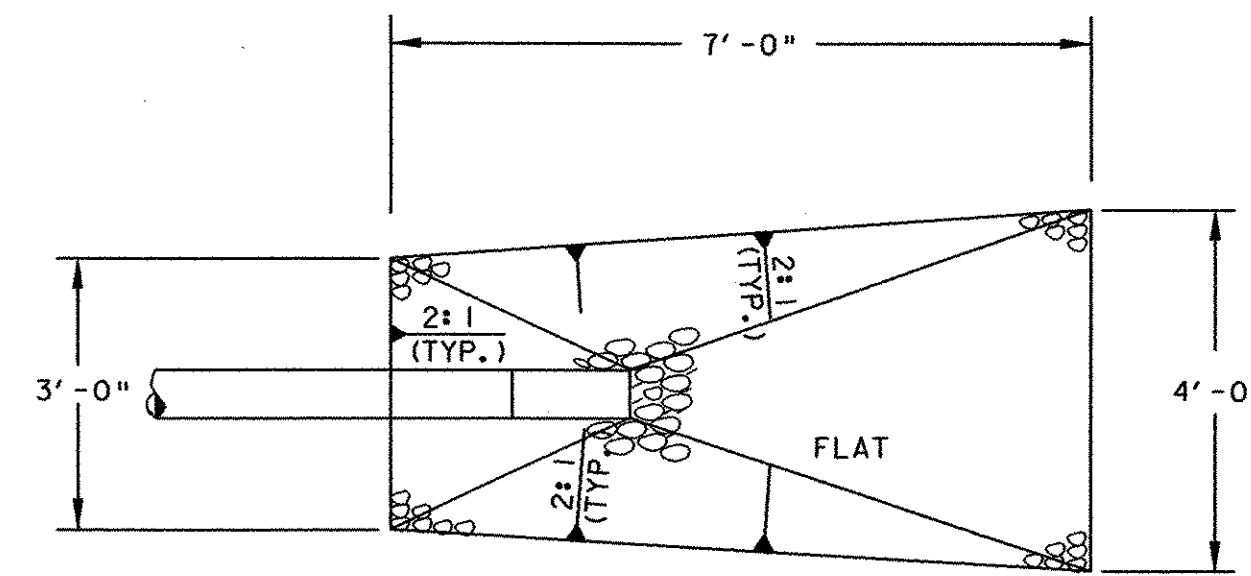


NOTES:

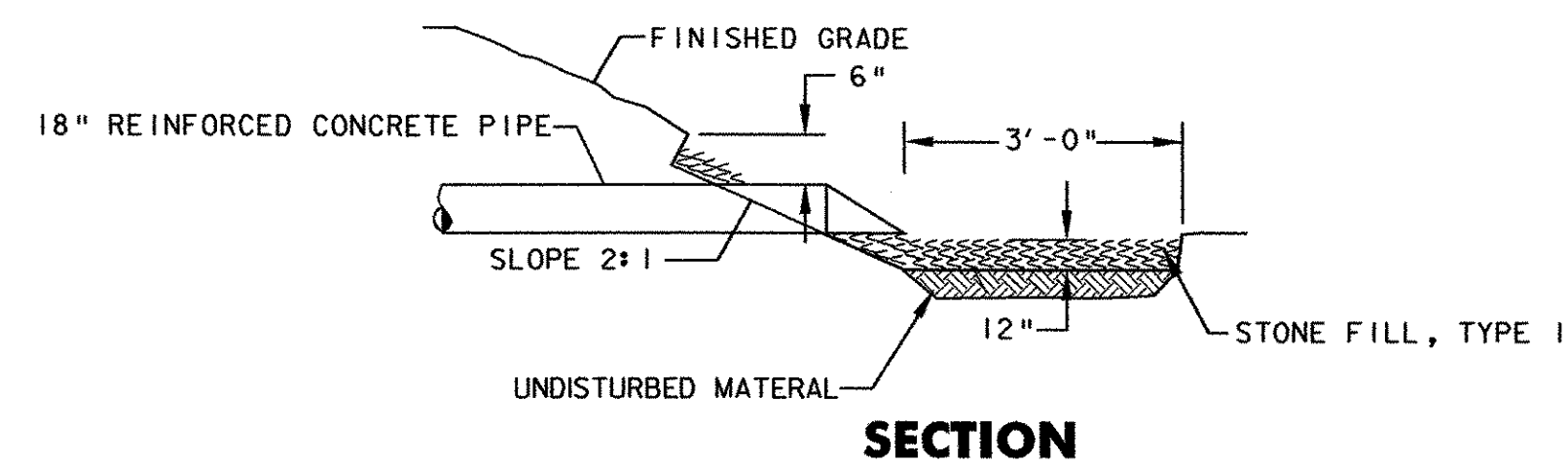
1. ALL CATCH BASINS SHALL BE PRE-CAST SQUARE OR ROUND AND DESIGNED AND REINFORCED TO SUPPORT H-20 LOADING.
2. THE CONTRACTOR SHALL SUPPLY SHOP DRAWINGS, CALCULATIONS, AND MANUFACTURERS CERTIFICATIONS TO THE ENGINEER FOR REVIEW AND APPROVAL PRIOR TO INSTALLATION.
3. CONTRACTOR SHALL EXCAVATE TO EXISTING PIPE, SAW CUT AND REMOVE PIPE TO ACCOMMODATE THE CATCH BASIN. THE EXISTING PIPE SHALL BE CONNECTED TO NEW PIPE WITH STEEL CONNECTING BANDS. MAINTAIN EXISTING PIPE'S LINE AND GRADE DURING CONSTRUCTION.
4. SEE VTRANS STD. D-15 FOR ADDITIONAL INFORMATION.
5. SEE SHEETS 12 & 13 FOR LOCATIONS.
6. BACKFILL MATERIAL SHALL MEET THE GRADING REQUIREMENTS OF T04.08A - GRANULAR BACKFILL FOR STRUCTURES.

CATCH BASIN ON EXISTING PIPE DETAIL (1/6)

NOT TO SCALE



PLAN

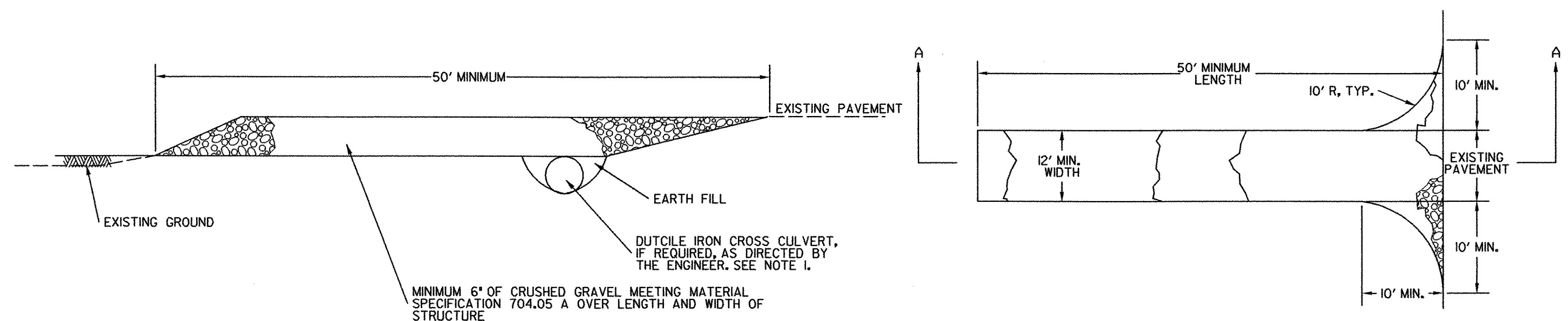


SECTION

- NOTES:**
1. SEE SHEET 13 FOR LOCATION.

OUTLET PROTECTION (2/6)

NOT TO SCALE



NOTES:

1. ALL SURFACE WATER FLOWING TO OR DIVERTED TOWARDS TRACKING PADS SHALL BE PIPED UNDER THE PAD, MAINTAINING POSITIVE DRAINAGE. WHEN THE PAD IS LOCATED AT THE HIGH SPOT AND HAS NO DRAINAGE TO CONVEY A PIPE WILL NOT BE NECESSARY. PIPE SHOULD BE SIZED ACCORDING TO THE AMOUNT OF RUNOFF TO BE CONVEYED, AS DIRECTED BY THE ENGINEER. A 8"0 MINIMUM SIZE WILL BE REQUIRED. CULVERT IS CONSIDERED INCIDENTAL TO VEHICLE TRACKING PAD.
2. A VEHICLE TRACKING PAD SHALL BE LOCATED AT EVERY POINT WHERE CONSTRUCTION TRAFFIC ENTERS OR LEAVES A CONSTRUCTION SITE. VEHICLES LEAVING THE SITE MUST TRAVEL OVER THE ENTIRE LENGTH OF THE PAD.

VEHICLE TRACKING PAD (3/6)

NOT TO SCALE

SEEDING FORMULA

% WT.	LBS./A.	NAME	PUR %	GERM %
37.5	22.5	CREeping RED FESCUE	98	85
37.5	22.5	TALL FESCUE	95	90
5.0	3.0	RED TOP	95	90
15.0	9.0	BIRDSFOOT TREFOL	98	85
5.0	3.0	ANNUAL RYEGRASS	95	85
100.0	60.0			

SEEDING NOTES

- SEED MIXTURE: SHALL NOT HAVE A WEED CONTENT EXCEEDING 0.40% BY WEIGHT AND SHALL BE FREE OF ALL NOXIOUS SEED.
- SEED: TO BE APPLIED PER SEEDING FORMULAS OR AS DIRECTED BY THE ENGINEER.
- FERTILIZER: FORMULA 10-20-10, TO BE USED WITH SEED, APPLIED AT THE RATE OF 500 LBS./ACRE. (HYDRO SEEDERS MAY USE 19-19-19 FORMULA).
- AGRICULTURAL LIMESTONE: TO BE APPLIED AT THE RATE OF 2 TONS/ACRE, OR AS DIRECTED BY THE ENGINEER.
- HAY MULCH: TO BE PLACED ON EARTH SLOPES AT THE RATE OF 2 TONS/ACRE, OR AS DIRECTED BY THE ENGINEER.
- TOPSOIL: TO BE USED WITH SEED AS INDICATED ON THE PLANS, OR AS DIRECTED BY THE ENGINEER.

PERMANENT TURF ESTABLISHMENT (4/6)

NOT TO SCALE



PROJECT NAME: SPRINGFIELD AIR

PROJECT NUMBER: 04-3161

FILE NAME: hartness frn.dgn

PROJECT LEADER: JBL

DESIGNED BY: TPL

DRAINAGE DETAILS

PLOT DATE: 05/21/2003

DRAWN BY: TPL

CHECKED BY: JBL

SHEET 6 OF 17