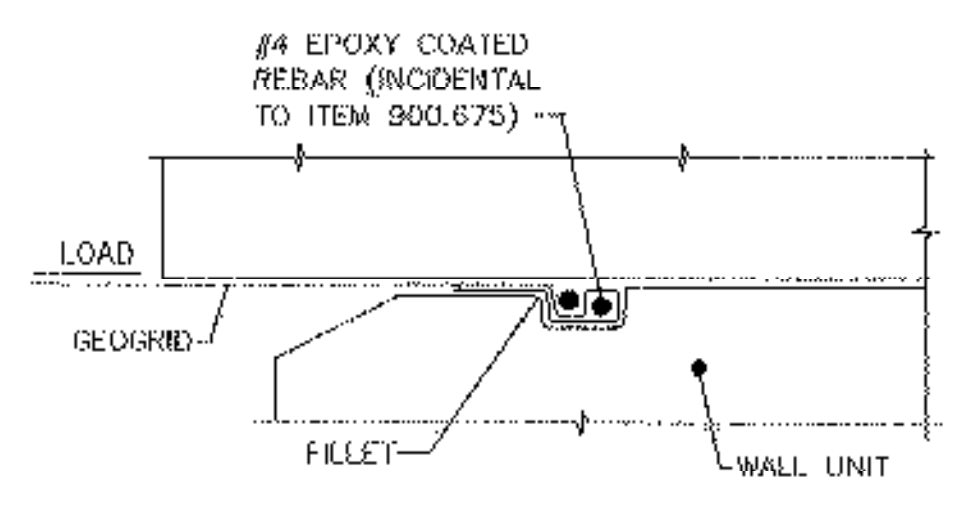
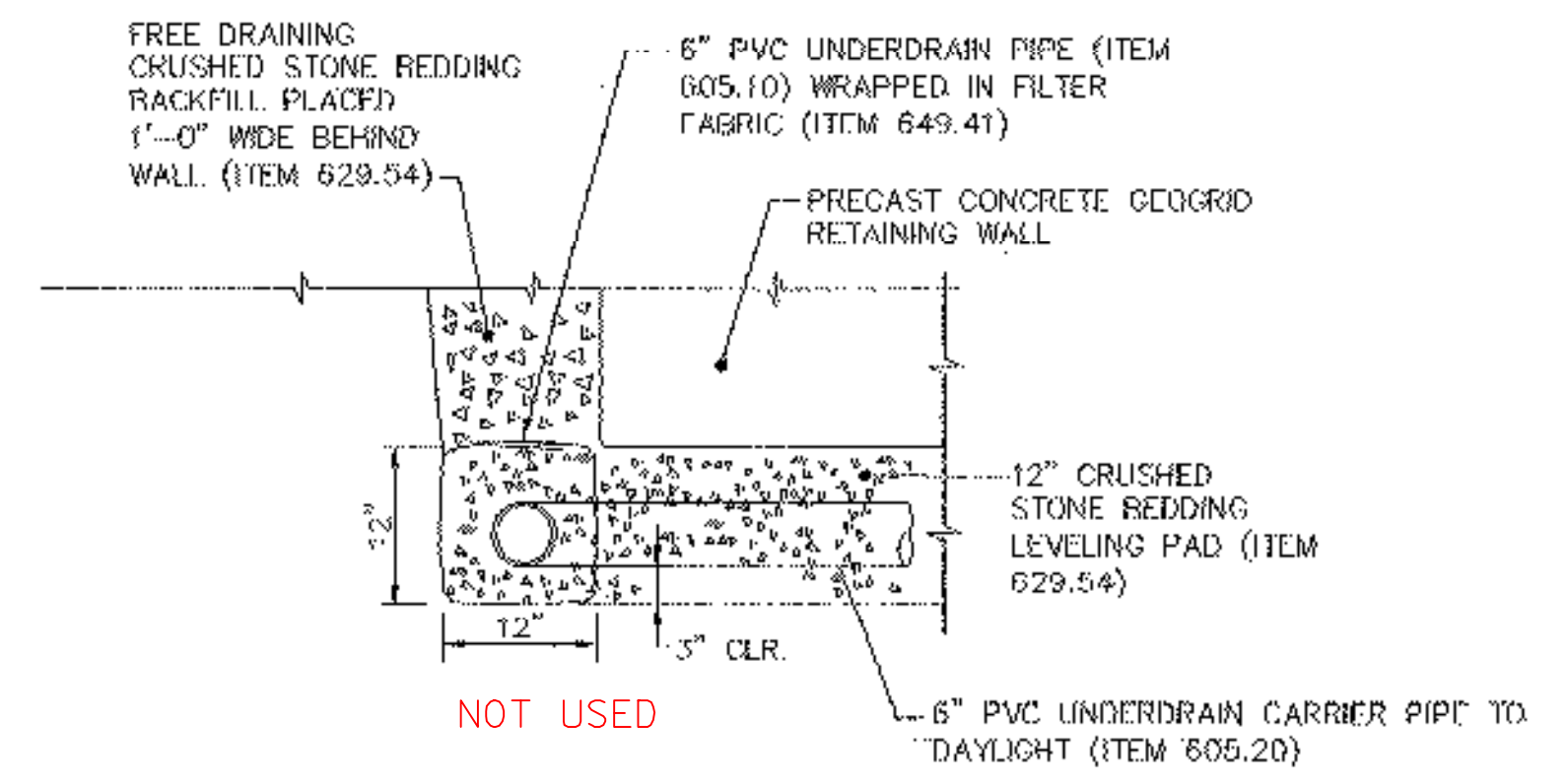
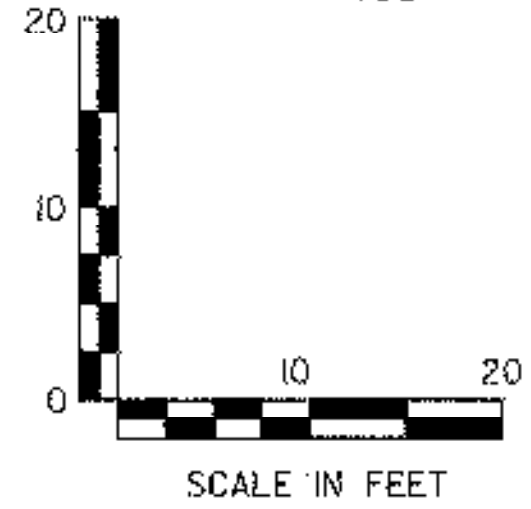
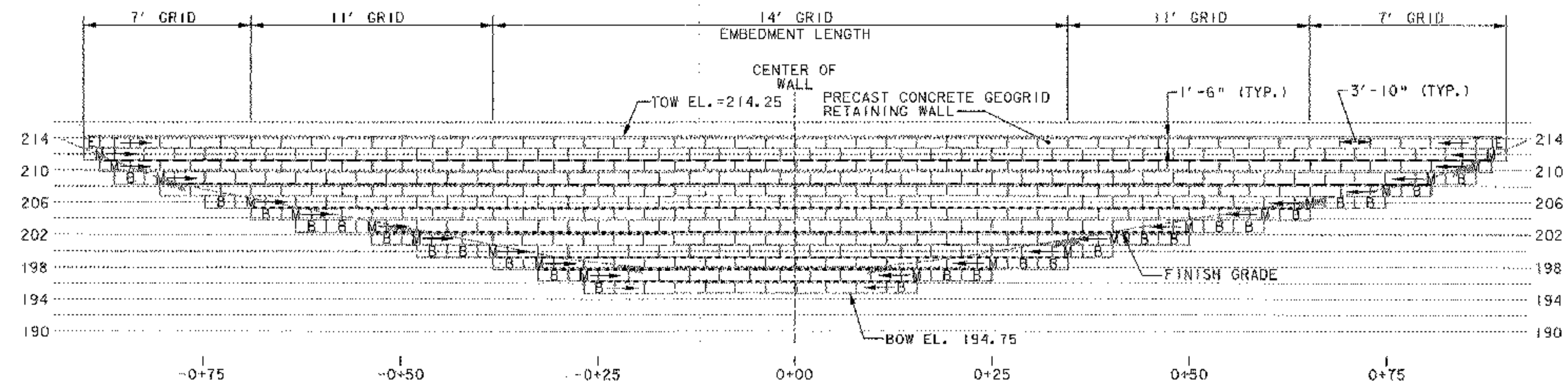


- GENERAL NOTES:** THESE NOTES, ALL NO LONGER APPLICABLE
- LEVELING PAD SHALL CONSIST OF COMPACTED, 3/4" CRUSHED STONE, (2" THICK AND EXTENDING AT LEAST 12" TO EITHER SIDE OF THE BASE BLOCK. A SMOOTHING SURFACE LAYER OF 3/8" CRUSHED STONE MAY BE UTILIZED.
 - MINIMUM EMBEDMENT OF WALL BELOW FINISH GRADE SHALL BE AS INDICATED ON THE WALL ELEVATION VIEW.
 - FOLLOW APPLICABLE PROVISIONS OF THE MANUFACTURER'S INSTALLATION INSTRUCTIONS AND WRITTEN SPECIFICATIONS, ESPECIALLY WITH REGARDS TO LEVELING OF BLOCKS AND BASE.
 - INSTALL 6" PVC UNDERDRAIN PIPING AND 6" PVC UNDERDRAIN CARRIER PIPING AS SHOWN.
 - BACKFILL AND COMPACT THE FILL MATERIAL BEHIND THE WALL AS THE WALL IS INSTALLED.
 - COMPACTION SHALL BE TO 92% (MODIFIED PROCTOR) OR 95% (STANDARD PROCTOR).
 - RECOMMENDED COMPACTION EQUIPMENT WITHIN 15 FEET OF THE BACK OF THE WALL IS AS FOLLOWS:
 0-4 FEET..... HAND TAMP OR VIBRATORY PLATE COMPACTOR
 4-15 FEET..... NOTHING LARGER THAN TWO-DRUM, WALK-BEHIND VIBRATORY ROLLER
 (LARGER ROLLERS CAN BE USED STATICALLY, PROVIDED LIFT SIZE DOES NOT COMPROMISE ACHIEVEMENT OF NECESSARY COMPACTION RATES.)
 - FOR REFLECTIVE PANEL DETAILS REFER TO SHEET 7, THE COST TO FURNISH AND INSTALL THE REFLECTIVE PANELS SHALL BE INCLUDED IN THE UNIT PRICE BID FOR ITEM 621.15-PLANK RAIL.
 - THE COST TO FURNISH AND INSTALL THE MIRAFIR MIRAGRID GEOGRID WALL REINFORCEMENT SHALL BE INCLUDED IN THE UNIT PRICE BID UNDER ITEM 900.675 - SPECIAL PROVISION (PRECAST CONCRETE GEOGRID RETAINING WALL).
 - GRANULAR BACKFILL FOR STRUCTURES SHALL BE PLACED BETWEEN THE CRUSHED STONE ALONG THE BACK OF THE WALL AND THE OUTER LIMITS OF THE GEOGRID REINFORCEMENT.



TYPICAL GEOGRID FASTENING DETAIL
NOT TO SCALE



PVC UNDERDRAIN PIPE DETAIL
NOT TO SCALE

LEGEND

- SYNTEEN SF 55 GEOGRID (MIRAGRID 5XT) OR EQUAL
- SYNTEEN SF 80 GEOGRID (MIRAGRID 7XT) OR EQUAL
- T TOP BLOCK
- M MIDDLE BLOCK
- B BOTTOM BLOCK
- E END BLOCK
- TOW TOP OF WALL
- BOW BOTTOM OF WALL

REV	DATE	BY
△	02/21/08	CKF



PROJECT NAME: HIGHGATE	PLOT DATE: 2/21/2008
PROJECT NUMBER: AIR 04-3183	DRAWN BY: J. OAKMAN
FILE NAME: WALL SECTION.DGN	CHECKED BY: P. ENZIE
PROJECT LEADER: M. CHURCHILL	SHEET 18 OF 27
DESIGNED BY: P. ENZIE	
RET. WALL SECTIONS & MISC. DETAILS	