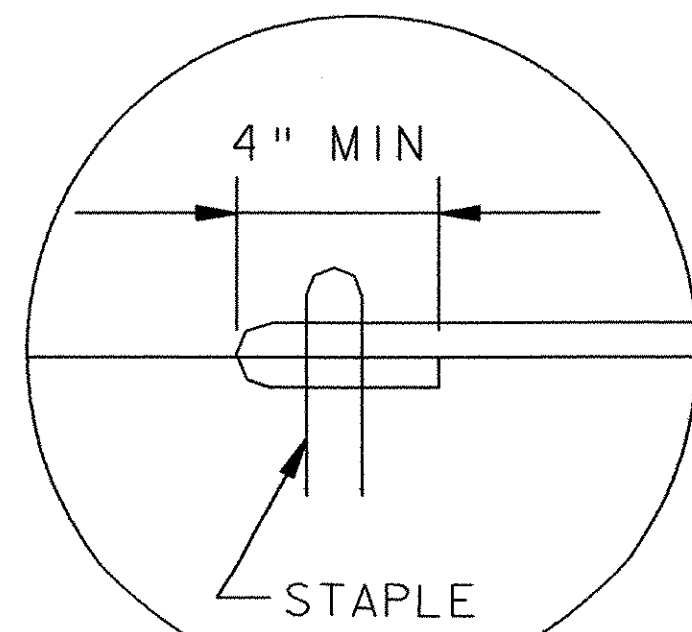
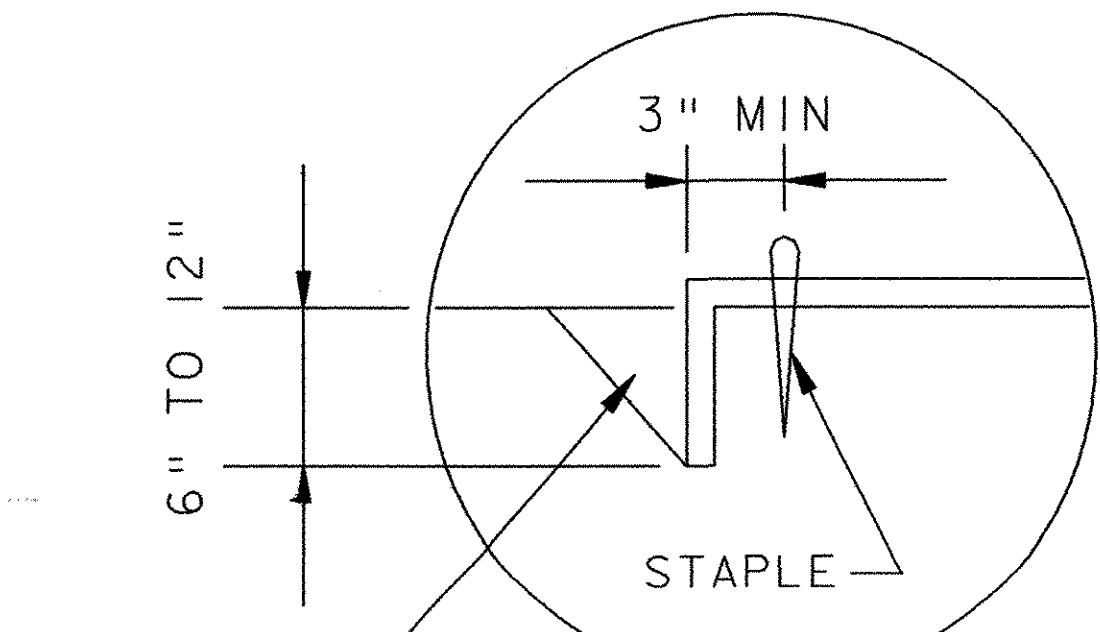


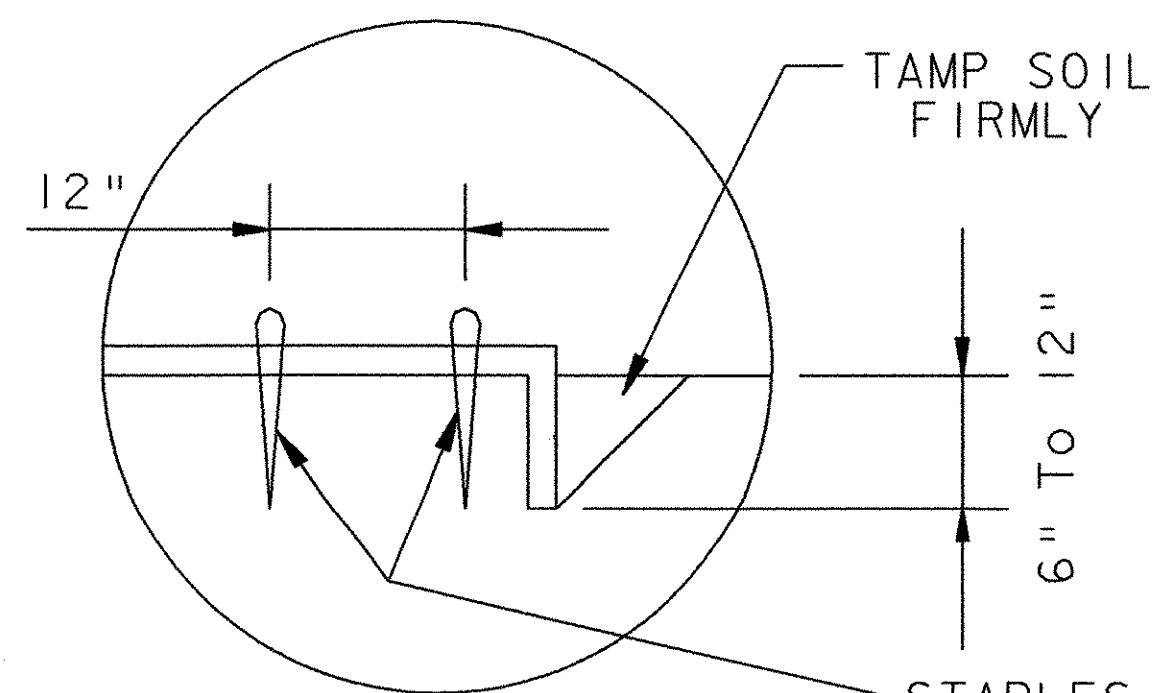
PLANNING FOR THE FUTURE
 CONSULTING ENGINEERS
 100 WATER STREET
 SUITE 200
 BURLINGTON, VT 05401
 TEL: 802-249-1234
 FAX: 802-249-1235
 WWW.STANTEC.COM



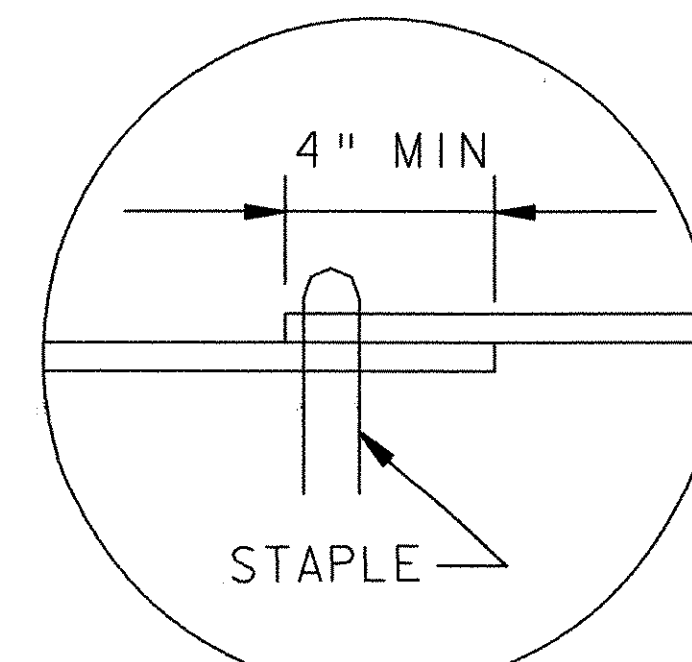
TERMINAL FOLD
JUTE MESH ONLY



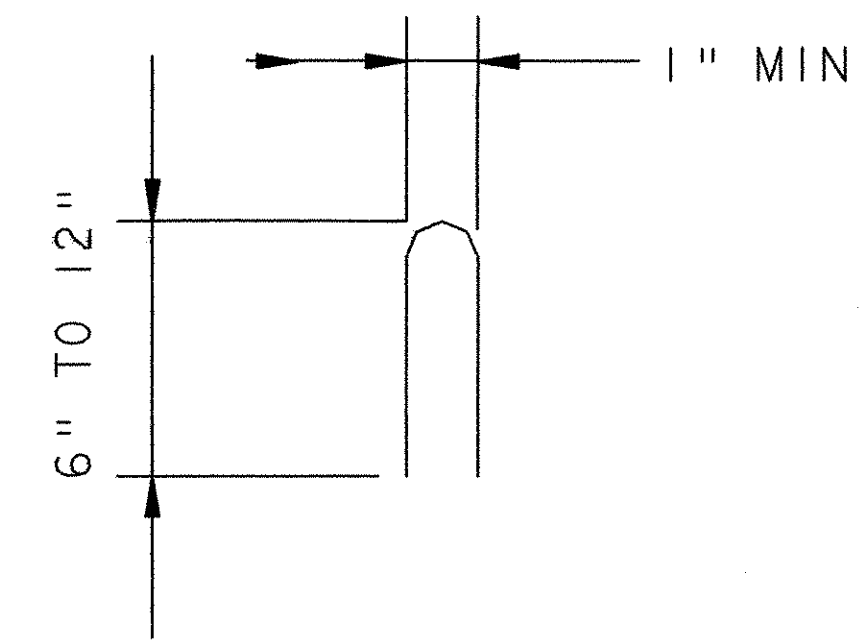
TERMINAL FOLD
EXCELSIOR BLANKET
EROSION CONTROL PAPER



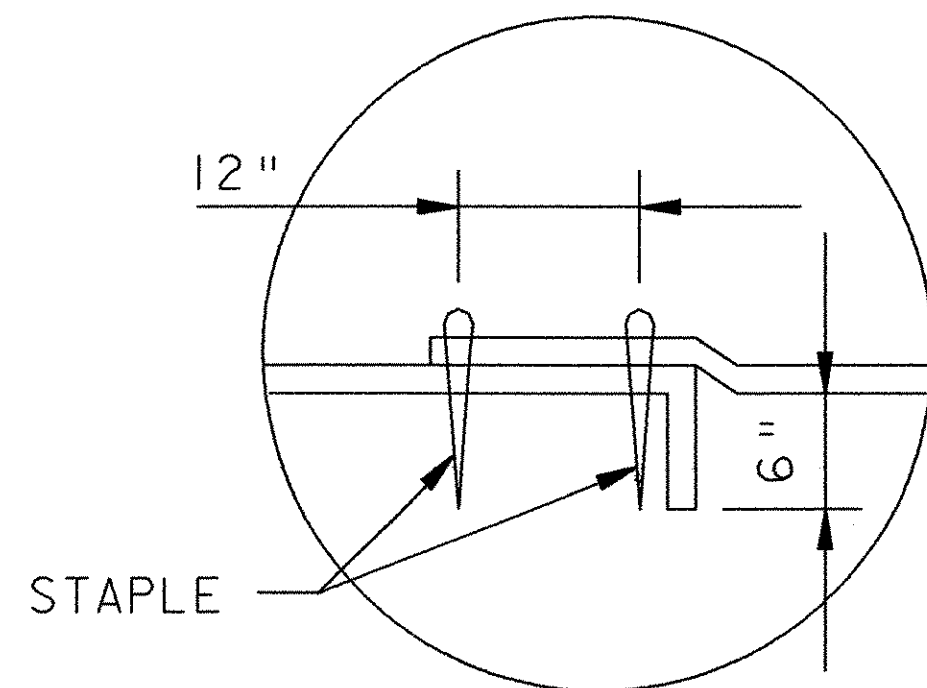
ANCHOR SLOT
JUTE MESH
EXCELSIOR BLANKET
EROSION CONTROL PAPER
DETAIL 3



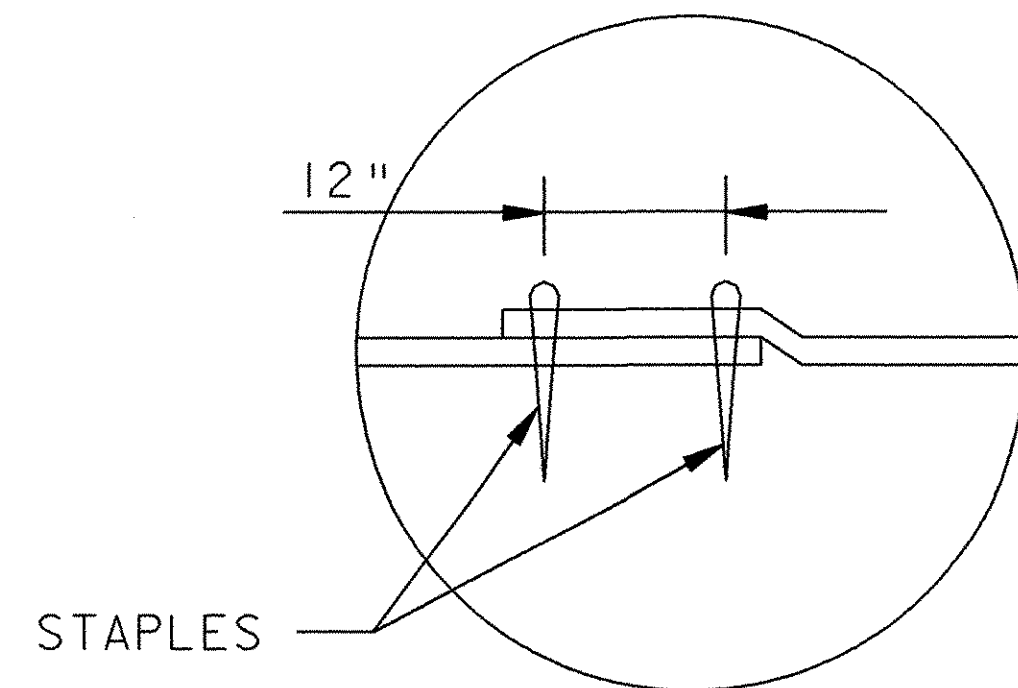
LAP JOINT
JUTE MESH, EROSION CONTROL PAPER
EXCELSIOR BLANKET SHALL BE BUTTED TOGETHER
DETAIL 4



STAPLE DETAIL



JUNCTION SLOT
JUTE MESH
EROSION CONTROL PAPER



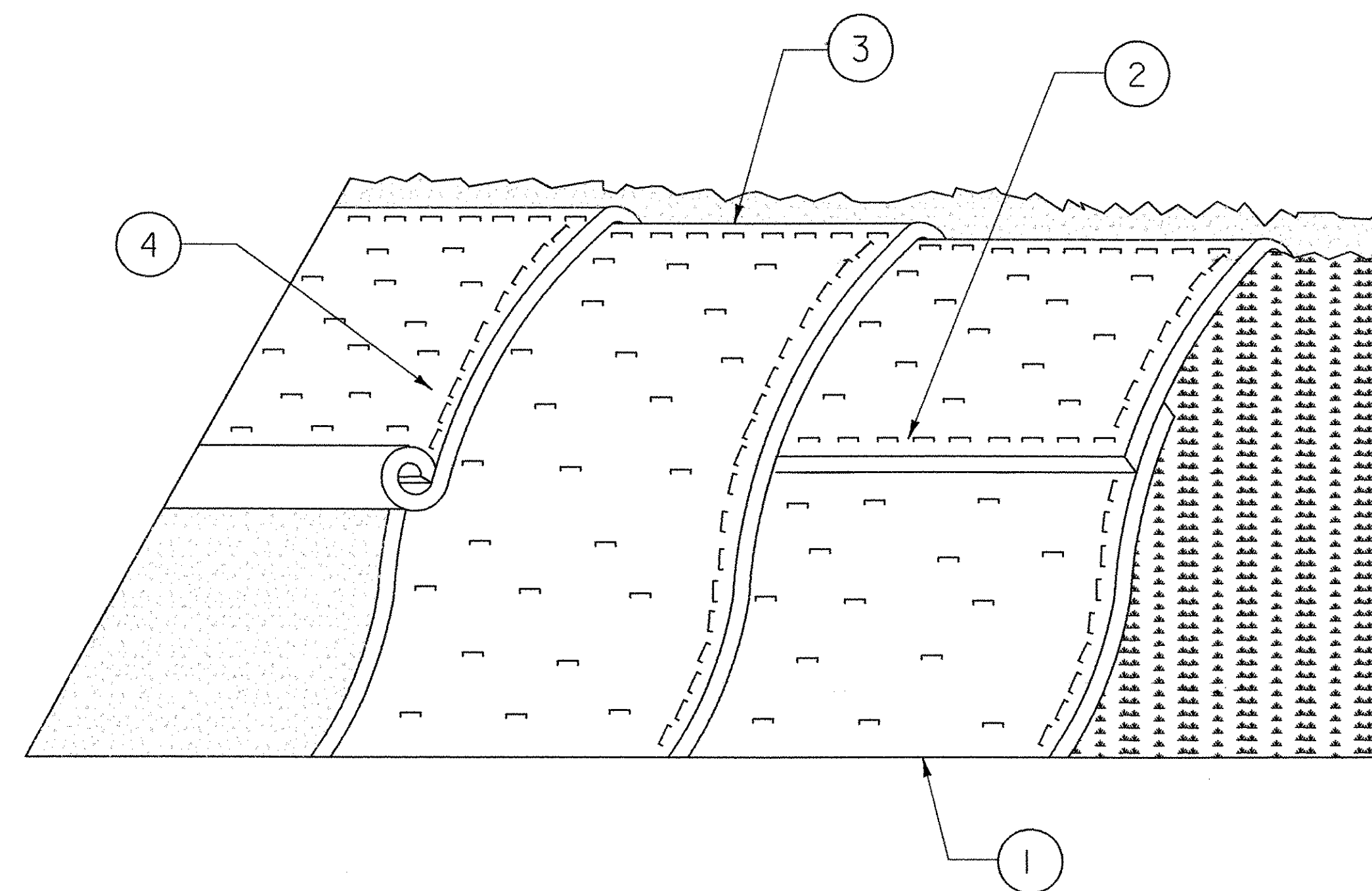
JUNCTION SLOT
EXCELSIOR BLANKET

DETAIL 1

DETAIL 2

CONSTRUCTION SPECIFICATIONS

1. APPLY TO SLOPES GREATER THAN 3H:1V OR WHERE NECESSARY TO AID IN ESTABLISHING VEGETATION.
2. APPLY FERTILIZER, LIME AND SEED PRIOR TO PLACING MATTING.
3. STAPLES ARE TO BE PLACED ALTERNATIVELY, IN COLUMNS APPROXIMATELY 2' APART AND IN ROWS APPROXIMATELY 3' APART. APPROXIMATELY 175 STAPLES ARE REQUIRED PER 4' X 225' ROLL OF MATERIAL AND 125 STAPLES ARE REQUIRED PER 4' X 150' ROLL OF MATERIAL.
4. DISTURBED AREA SHALL BE SMOOTHLY GRADED TO ENSURE CLOSE CONTACT BETWEEN RECP AND GROUND.
5. ALL TERMINAL ENDS AND TRANVERSE LAPS SHALL BE STAPLED AT APPROXIMATELY 12".



ROLLED EROSION
CONTROL PRODUCT
(RECP) SIDE SLOPE

NOTES:
REFER TO "THE VERMONT STANDARDS & SPECIFICATIONS FOR EROSION PREVENTION & SEDIMENT CONTROL -2006-" FROM THE VT AGENCY OF NATURAL RESOURCES FOR ADDITIONAL GUIDANCE.

THIS ITEM SHALL BE PAID FOR UNDER ITEM
653.20 TEMPORARY EROSION MATTING

REVISIONS		
FEBRUARY 9, 2007	WHF	
MARCH 8, 2007	JMF	



PROJECT NAME: HIGHGATE
PROJECT NUMBER: AIR 04-3183

FILE NAME: EROSIONCONTROLDETAILS-3.DGN PLOT DATE: 12/27/2007
PROJECT LEADER: M. CHURCHILL DRAWN BY: J. OAKMAN
DESIGNED BY: P. ENZIEN CHECKED BY: P. ENZIEN
EROSION PREV. & SED. CONTROL DETAILS SHEET 14 OF 27