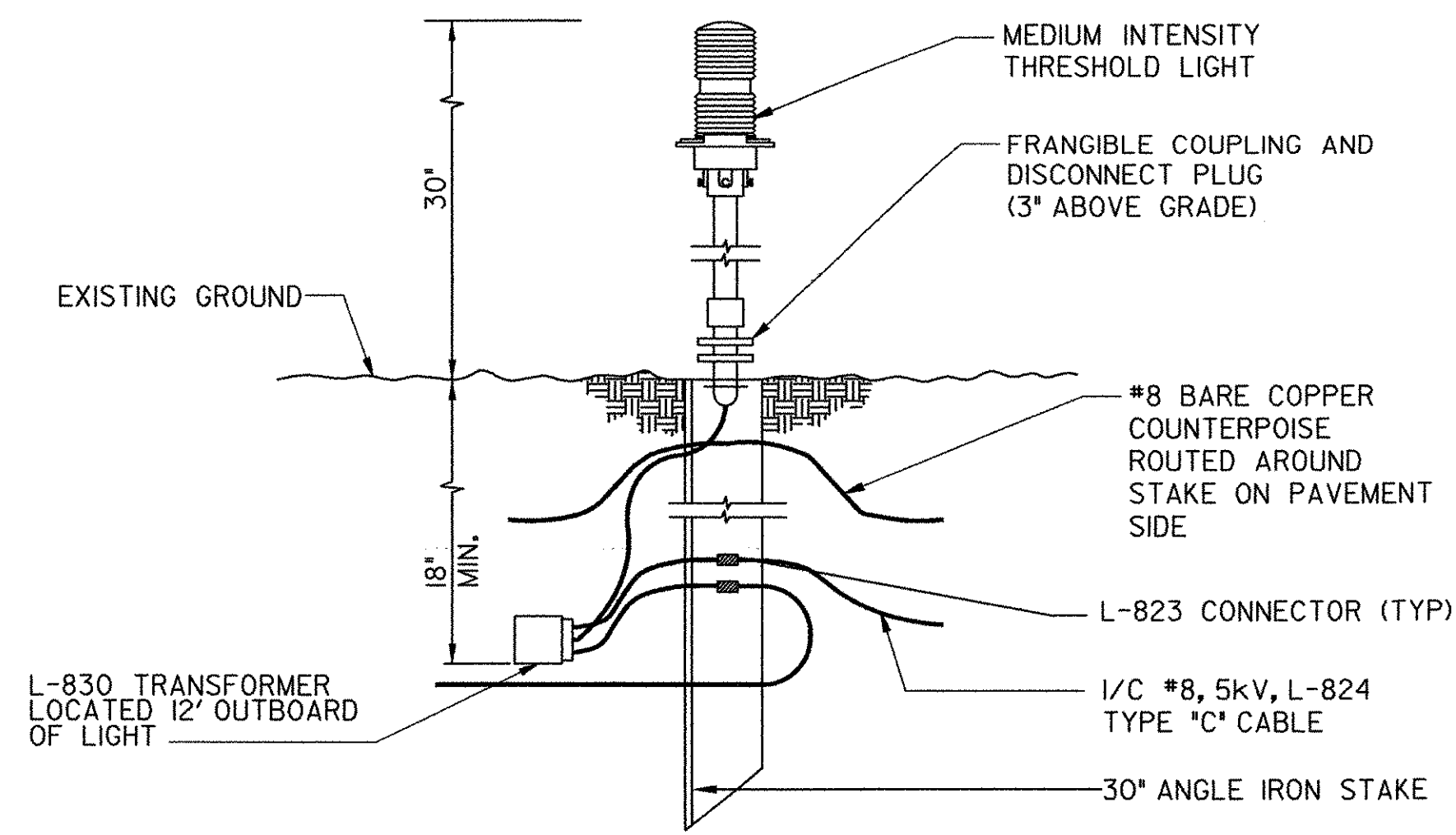
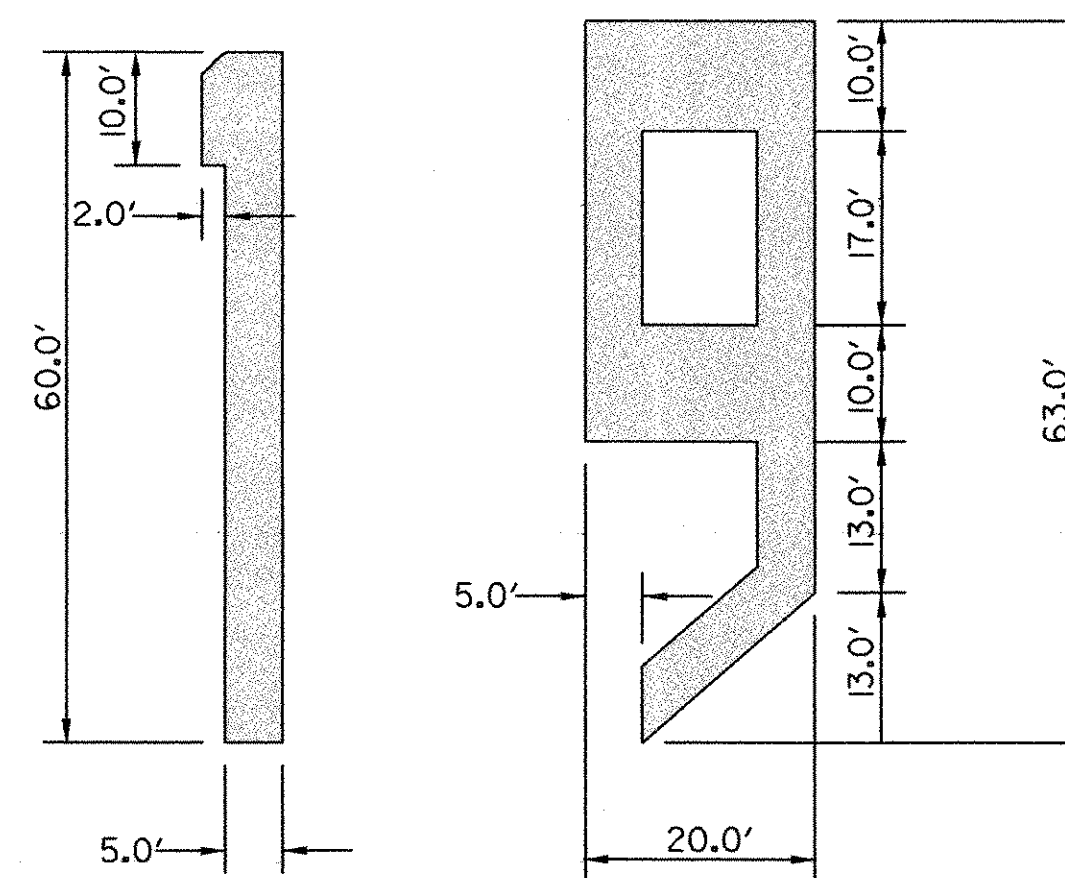


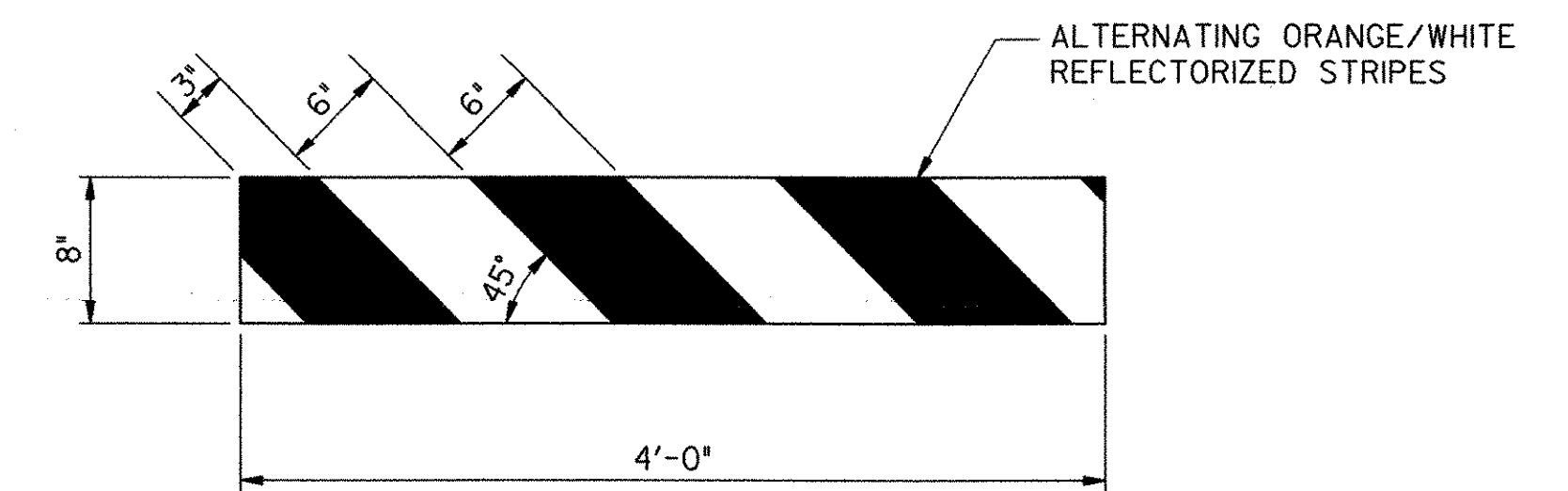
Project: Highgate  
 Date: 12/20/2007  
 Drawn by: J. Oakman  
 Checked by: P. Enzien  
 Project No: 04-3183



**STAKE MOUNTED THRESHOLD LIGHT DETAIL (ITEM 900.620)**  
NOT TO SCALE



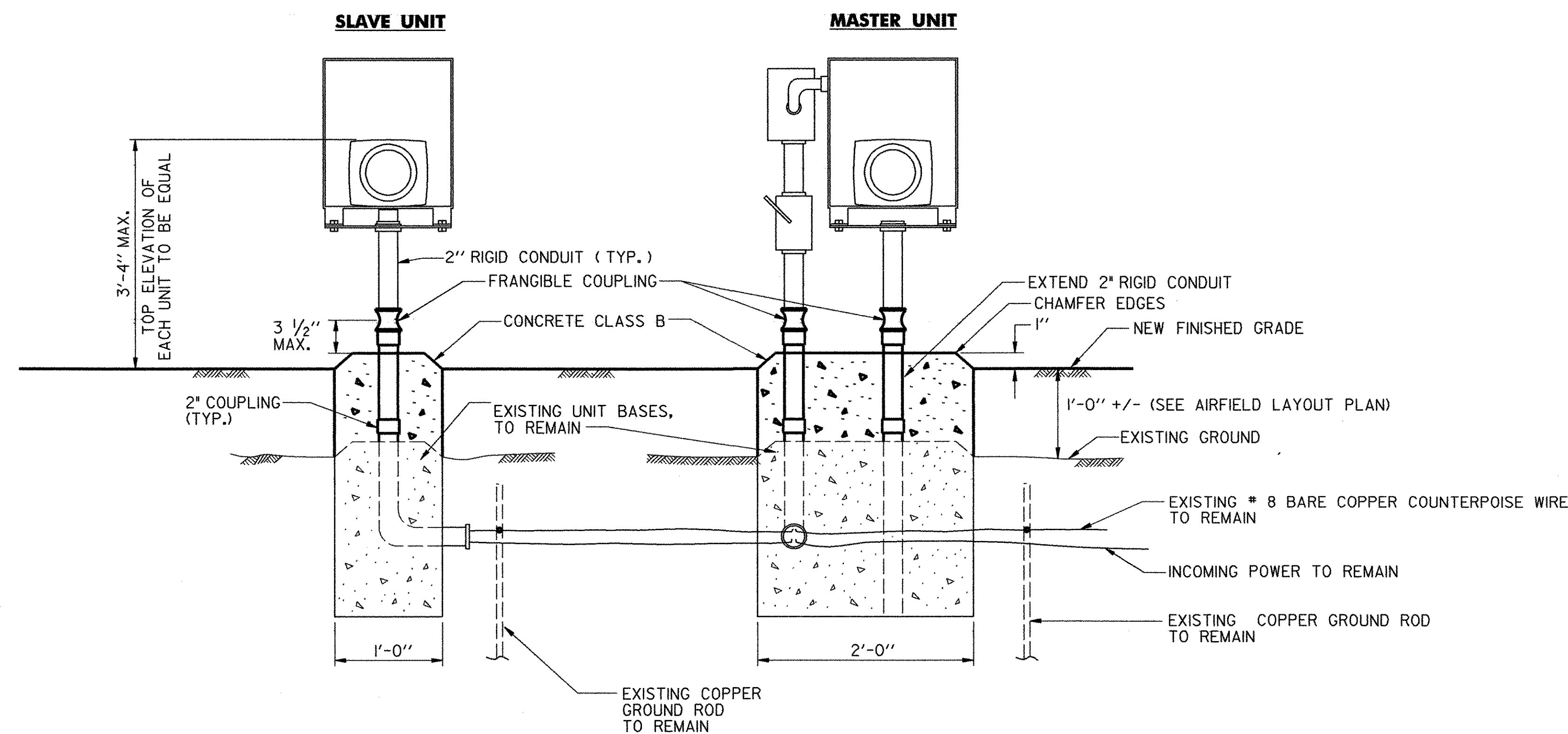
**RUNWAY NUMERAL DETAILS**  
NOT TO SCALE



**NOTES:**

1. SPACING OF PANELS ALONG FACE OF WOOD PLANK RAILING SHALL BE 8'-0" O.C.
2. FOR PANEL MATERIAL AND FABRICATION REQUIREMENTS REFER TO MATERIALS SPECIFICATION SECTION 750 - TRAFFIC SIGNS.

**ORANGE \ WHITE REFLECTIVE PANEL DETAIL**  
NOT TO SCALE



**RUNWAY END IDENTIFIER LIGHTS (REILS) MODIFICATION DETAIL (ITEM 900.620)**  
NOT TO SCALE

**NOTES:**

1. REMOVE AND STORE EXISTING REILS EQUIPMENT FROM THE FRANGIBLE COUPLINGS UP.
2. EXTEND 2" RIGID CONDUIT AND CONDUCTORS TO REQUIRED HEIGHT.
3. DRILL & EPOXY #4 UNCOATED REINFORCING BARS A MINIMUM OF 8" INTO EXISTING REILS CONCRETE BASES (4 ANCHORS IN SLAVE UNIT, 8 ANCHORS IN MASTER UNIT).
4. FORM & POUR CONCRETE EXTENSIONS.
5. RE-INSTALL REIL EQUIPMENT ACCORDING TO MANUFACTURER'S ORIGINAL RECOMMENDATIONS.
6. TERMINATE GROUND WIRE INSIDE EQUIPMENT HOUSING.
7. THE COST OF THIS WORK SHALL BE INCLUDED IN THE UNIT PRICE BID UNDER ITEM 900.620 - SPECIAL PROVISION (RUNWAY END IDENTIFIER LIGHTS, MODIFY).



PROJECT NAME: HIGHGATE  
PROJECT NUMBER: AIR 04-3183

FILE NAME: MISC DETAILS.DGN  
PROJECT LEADER: M. CHURCHILL  
DESIGNED BY: P. ENZIEN  
**MISCELLANEOUS DETAILS**

PLOT DATE: 12/20/2007  
DRAWN BY: J. OAKMAN  
CHECKED BY: P. ENZIEN  
SHEET 7 OF 27