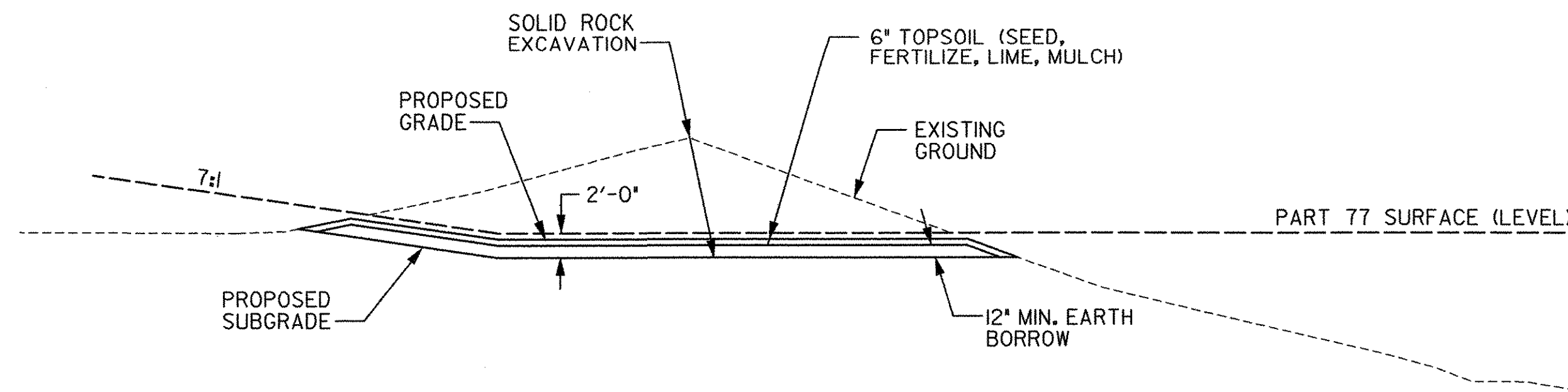


# TYPICAL SECTIONS ROCK REMOVAL DETAILS

**SEEDING FORMULA - RURAL AREAS**  
(SEE TYPICAL SECTION SHEET 1)



**STA. -4+60 LT. TO STA. -0+81 LT.**



PROJECT NAME: HIGHGATE  
PROJECT NUMBER: AIR 04-3183

FILE NAME: TYPICALS.DGN  
PROJECT LEADER: M. CHURCHILL  
DESIGNED BY: P. ENZIEN  
**TYPICAL SECTION SHEET 2**

PLOT DATE: 12/20/2007  
DRAWN BY: J. OAKMAN  
CHECKED BY: P. ENZIEN  
SHEET 3 OF 27

PROJECT NUMBER: AIR 04-3183  
 SHEET NUMBER: 3 OF 27  
 DATE: 12/20/2007  
 DRAWN BY: J. OAKMAN  
 CHECKED BY: P. ENZIEN  
 PROJECT LEADER: M. CHURCHILL  
 FILE NAME: TYPICALS.DGN