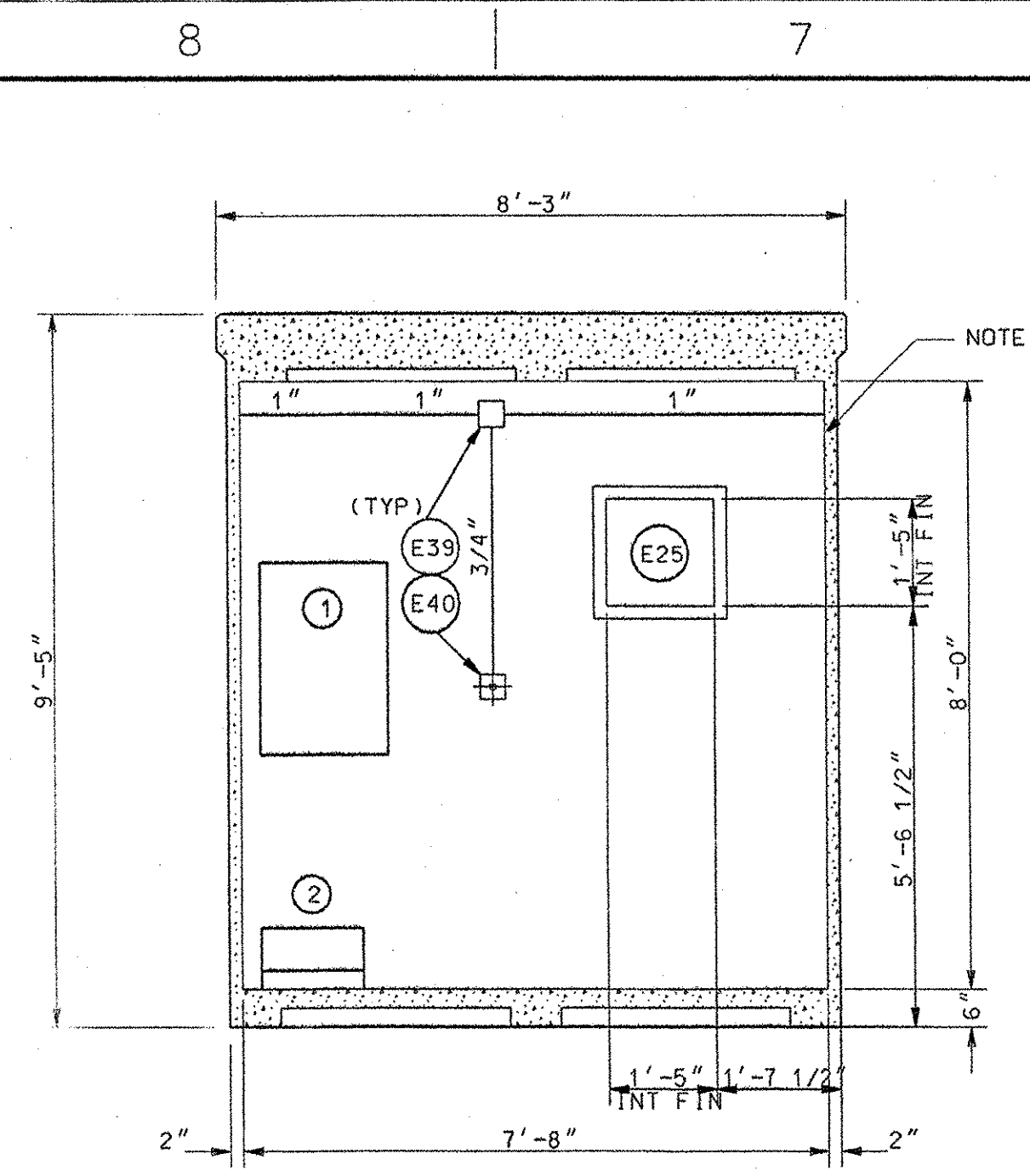
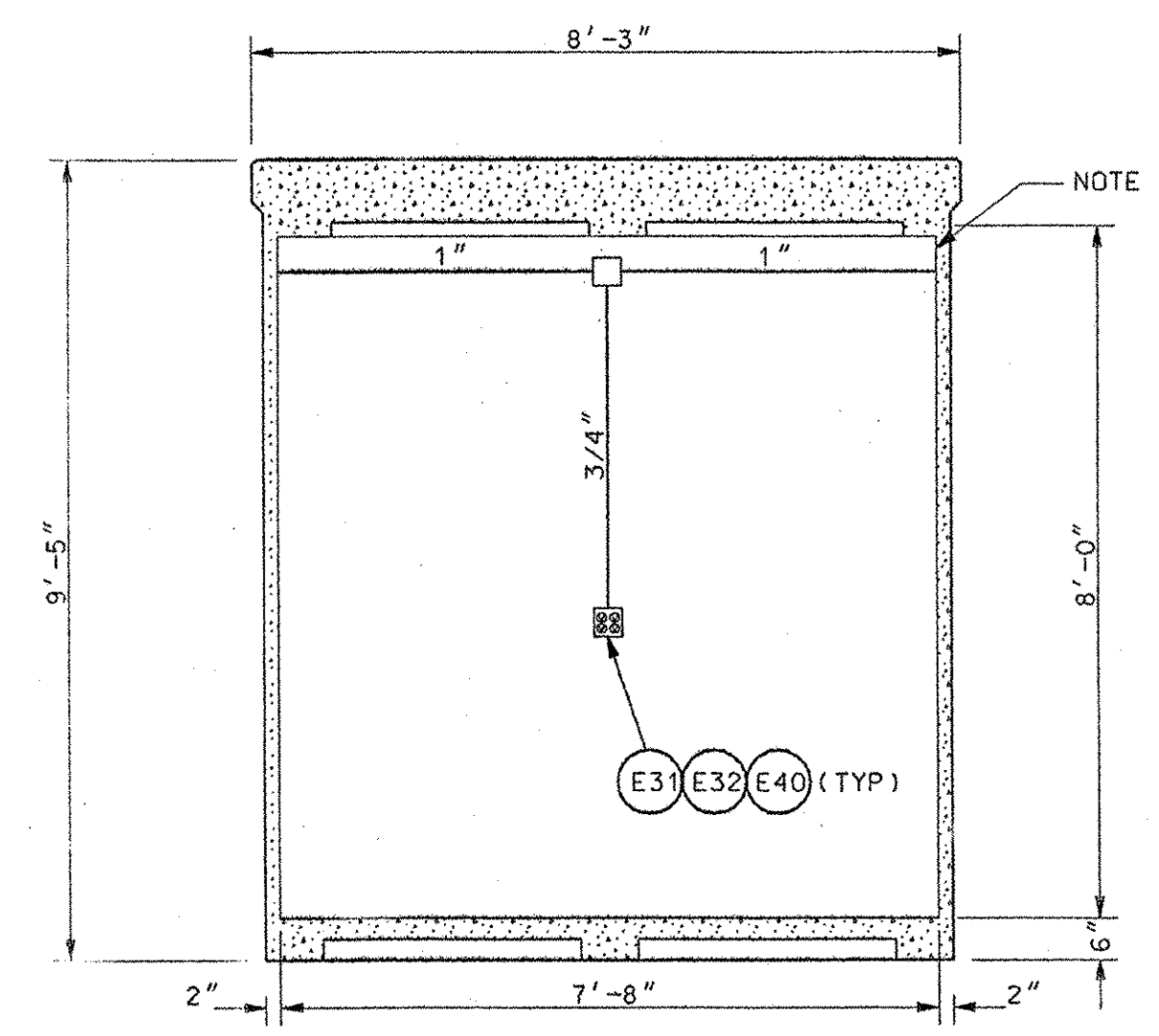


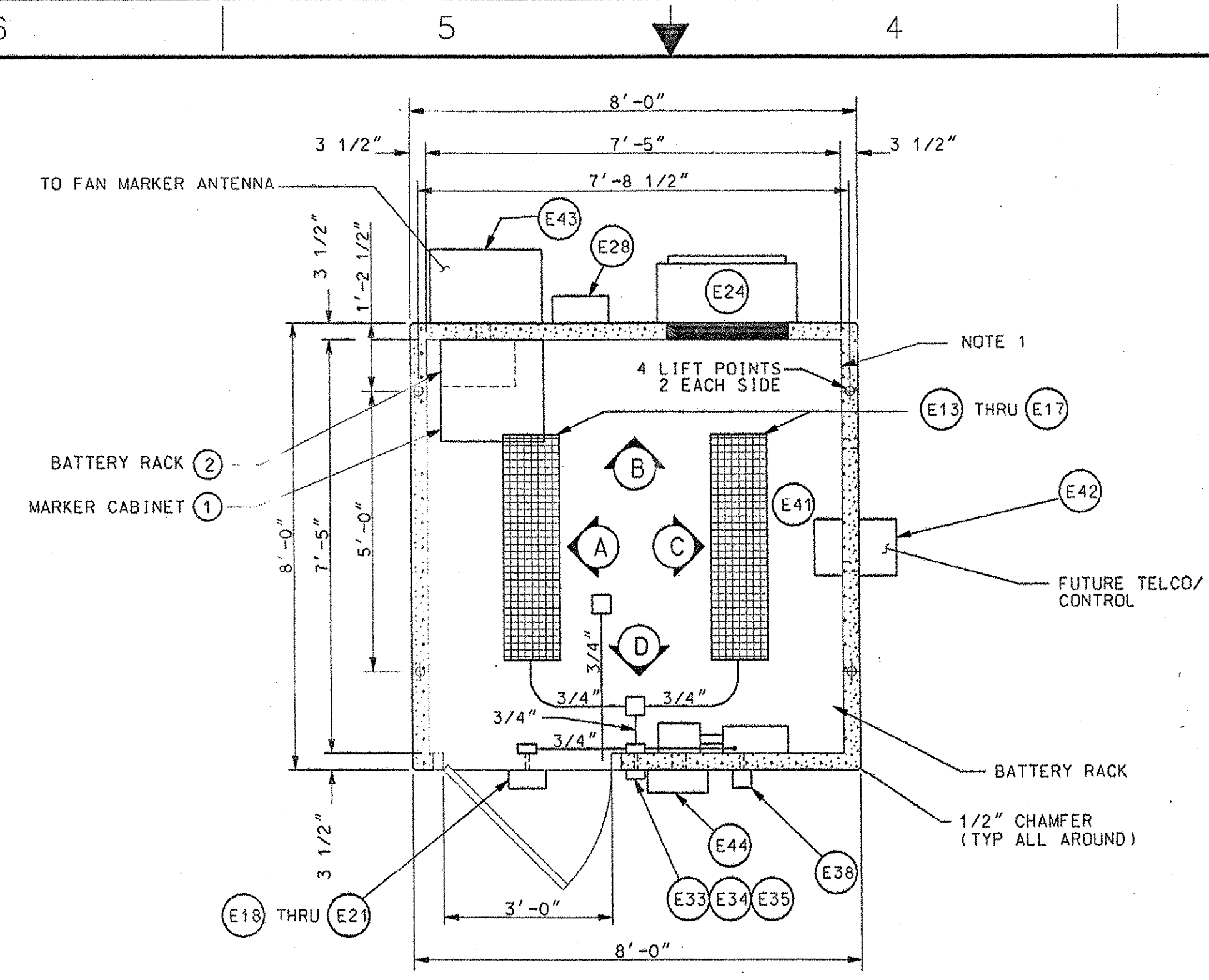
THIS DRAWING PRODUCED ON THE NEW ENGLAND REGION MICROSTATION SYSTEM



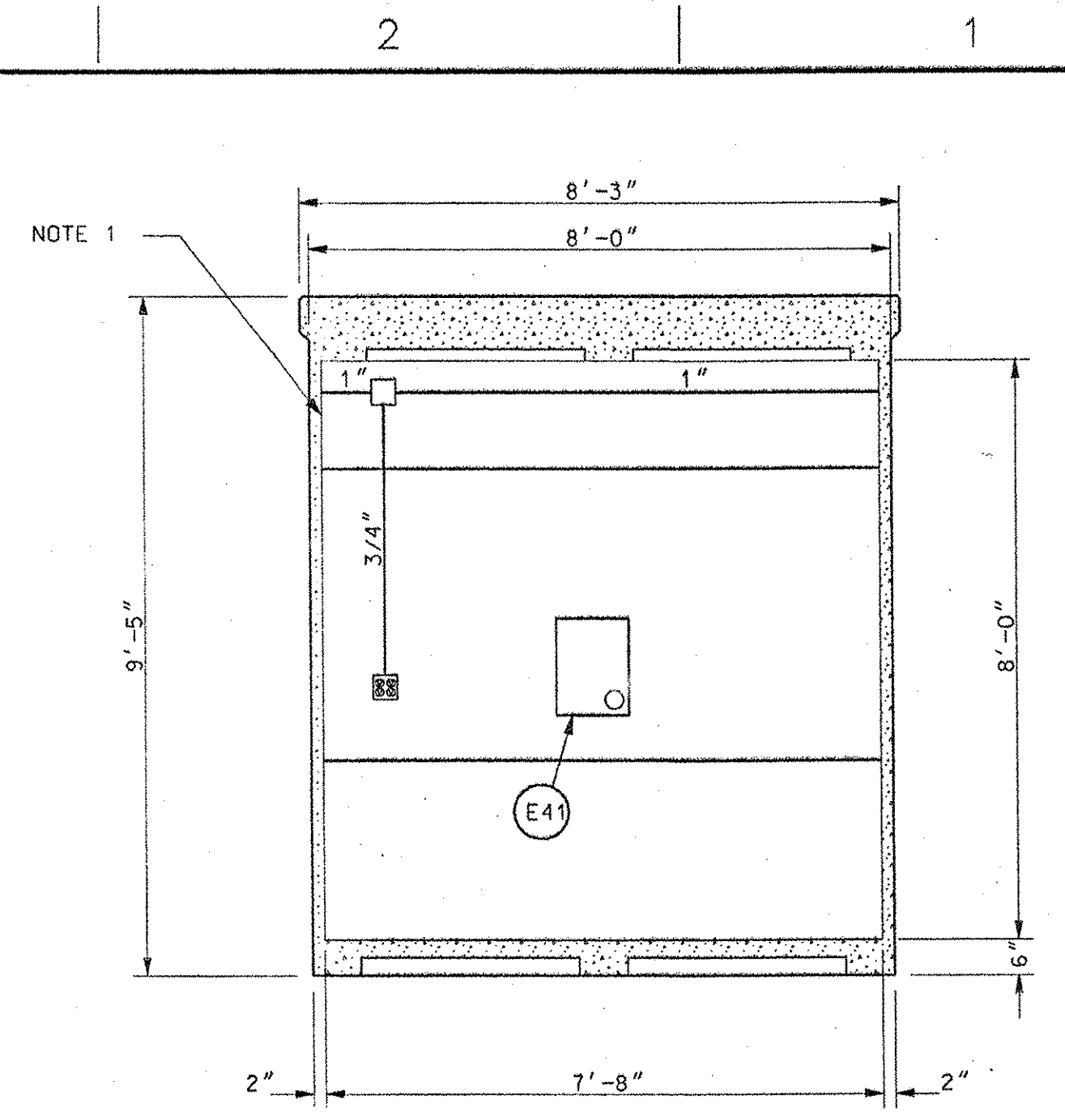
**ELEVATION B**  
SCALE: 1/2" = 1'-0"



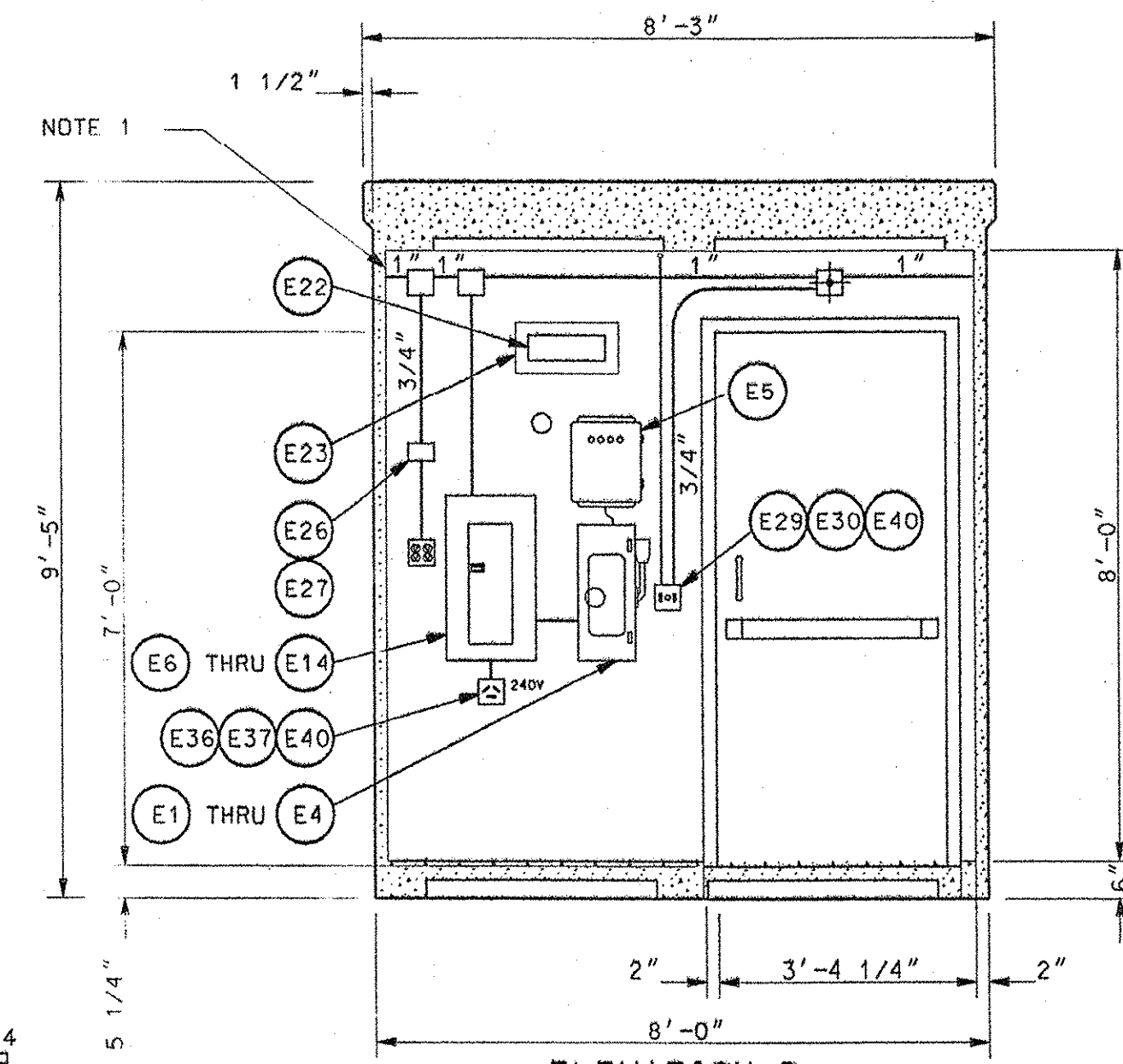
**ELEVATION A**  
SCALE: 1/2" = 1'-0"



**PLAN**  
SCALE: 1/2" = 1'-0"



**ELEVATION C**  
SCALE: 1/2" = 1'-0"



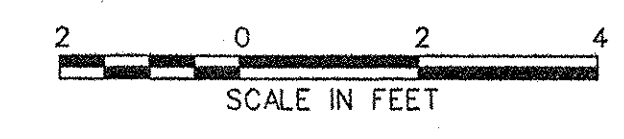
**ELEVATION D**  
SCALE: 1/2" = 1'-0"

**NOTES:**  
1. REMOVE EXISTING FIBER REINFORCED PLASTIC (FRP) PLYWOOD. INSTALL 3" RIGID INSULATION AND REINSTALL FRP PLYWOOD WITH LONGER FASTENERS. RE-MOUNT LIGHTING AND CONDUIT TO CEILING.

**REFERENCE ONLY**

**MATERIAL LIST (GFM) (INSTALLED BY OTHERS)**

1	MARK-1F MARKER CABINET (30 X 22 X 22)
2	BATTERY RACK



ITEM QTY UNITS DESCRIPTION			BILL OF MATERIALS			ITEM QTY UNITS DESCRIPTION		
E1	1	EA SQUARE D H223N 100A HEAVY DUTY FUSED DISCONNECT SWITCH NEMA TYPE 1 (21 1/5" X 9" X 6 7/16")	E17	2	EA ADVANCE RIF-1 FILTER	E32	4	EA HUBBELL S82 2-GANG, 2 DUPLEX RECEPTACLE COVER PLATE
E2	1	EA SQUARE D H100SNC SOLID NEUTRAL ASSEMBLY	E18	1	EA KENALL 3636 LIGHT, SUITABLE FOR WET LOCATIONS	E33	1	EA RACO 5101-O DR BELL SC1-GFR GFCI WEATHERPROOF COVER PLATE
E3	1	EA SQUARE D PK0GTC-2 GROUND KIT	E19	1	EA KENALL 9050 BACK BOX	E34	2	EA RACO 5386 DR BELL 890-L SINGLE GANG BOX, 3/4" OUTLETS
E4	4	EA BUSS FRN-R-100 100A TD FUSES 250V CLASS R	E20	1	EA A-19 LIGHT BULB 100W	E35	1	EA SQUARE D GFSR-120IC 20A 120V GROUND FAULT CIRCUIT INTERRUPTER, IVORY, NEMA 5-20R, UL GROUP 1, CLASS A
E5	1	EA LPC 20206-7 AC POWER SURGE ARRESTOR, 1P, 3W	E21	1	EA GE PEK120 PHOTOCELL	E36	1	EA HUBBELL 54621, 20A 250 VAC NEMA 6-20R HD RECEPTACLE
E6	1	EA SQUARE D N00D20M100CU MB 100A RATED PANELBOARD, 20 CIRCUIT WITH 100A MAIN BREAKER AND SOLID NEUTRAL INSTALLED (26" X 14" X 5.75")	E22	1	EA MULTIPOINT GROUND PLATE KIT, 12" X 4" X .25" COPPER FOR DOUBLE HOLE LUGS	E37	1	EA HUBBELL S748 2-GANG, 1 DUPLEX RECEPTACLE COVER PLATE
E7	1	EA SQUARE D N0B526 NEMA TYPE 1 BOX	E23	1	EA CLEAR PLEXIGLASS COVER (16" X 8" X 3/16") WITH 2 EA. INSULATING STANDOFFS	E38	1	EA HUBBELL 46DR12W 3P 4W 125/250 VAC RECEPTACLE W/ APPROVED BACK BOX
E8	1	EA SQUARE D N0C26S COVER	E24	1	EA BARD HVAC UNIT - WA121-A03 EXXXXJ 1 TON COOL, 3.6 KW HEAT, 10 SEER MIN	E39	10	EA HUBBELL S23 2-GANG BLANK COVER PLATE
E9	1	EA SQUARE D PK126TA GROUND KIT	E25	1	EA BARD SUPPLY / RETURN GRILLE - CRS0-1	E40	16	EA STEEL CITY 2-GANG STEEL BOX - 4" X 4" X 2 1/4"
E10	6	EA SQUARE D Q0B115 SINGLE POLE BREAKER 15 AMP	E26	1	EA BARD T-STAT - MODEL T874D1934, 2 STAGE COOL, 2 STAGE HEAT, P/N 8403-021	E41	2	EA HOFFMAN A-16N126 (16" X 12" X 6") NEMA TYPE 1 HINGED RT WITH LATCH
E11	6	EA SQUARE D Q0B120 SINGLE POLE BREAKER 20 AMP	E27	1	EA BARD T-STAT SUB BASE - MODEL Q674A1001 - P/N 8404-012	E42	2	EA HOFFMAN A-16128JFGOR (15.50" X 12.00" X 8.28") LOCKABLE, FIBERGLASS
E12	-	NOT USED	E28	1	EA CONNECTICUT ELECTRIC N6000NF NON-FUSIBLE HVAC DISCONNECT	E43	1	EA HOFFMAN A-30H2416G0RLP (30.25" X 24.25" X 16.00") LOCKABLE, FIBERGLASS
E13	3	EA SQUARE D Q0B220 DOUBLE POLE BREAKER 20 AMP COMMON TRIP	E29	2	EA HUBBELL CS1201, 20A 120-277V SP SPECIFICATION GRADE QUIET SWITCH, IVORY	E44	1	EA MURRAY RH173CR (19 7/8" X 12 7/8" X 5") HEAVY DUTY METER SOCKET
E14	1	EA SQUARE D Q0B260VH DOUBLE POLE BREAKER 60 AMP COMMON TRIP	E30	1	EA HUBBELL S2 2-GANG, 2 SWITCH COVER PLATE			
E15	2	EA 4' X 1' FLUORESCENT LIGHT FIXTURE WITHOUT AUTO RESTART FEATURE 40W RAPID START CLASS P	E31	8	EA HUBBELL 5362T 2P 3W 20A 125V DUPLEX RECEPTACLE, HD, NEMA 5-20R, IVORY			
E16	4	EA DAYTON F40CW LAMPS 3V478, 4' FLUORESCENT LIGHT TUBES, 40W, COOL WHITE						

DESIGNED	JMM/DD	ISSUED BY	DATE	JCN	REV
DRAWN	sls	NAS IMPLEMENTATION	08/13/2002		3426
CHECKED		ANN-100			
REVIEWED BY	DATE	DESCRIPTION	JCN	REDLINE DATE	APPROVED

DEPARTMENT OF TRANSPORTATION  
FEDERAL AVIATION ADMINISTRATION  
BOSTON IMPLEMENTATION CENTER BURLINGTON, MA 01803  
RUNWAY 19 (GL) FAN MARKER (FM)  
EQUIPMENT SHELTER  
INTERIOR  
ELEVATIONS

CHITTENDEN RUTLAND STATE AIRPORT VT

DESIGNED: D. DAUDIER, ANI-180  
SUBMITTED BY: [Signature]  
APPROVED BY: P. KIRBY, ANI-180

DRAWING NO: NE-D-27464-E004

D:\projects\2002\0813\2151\AW - ELEVATIONS