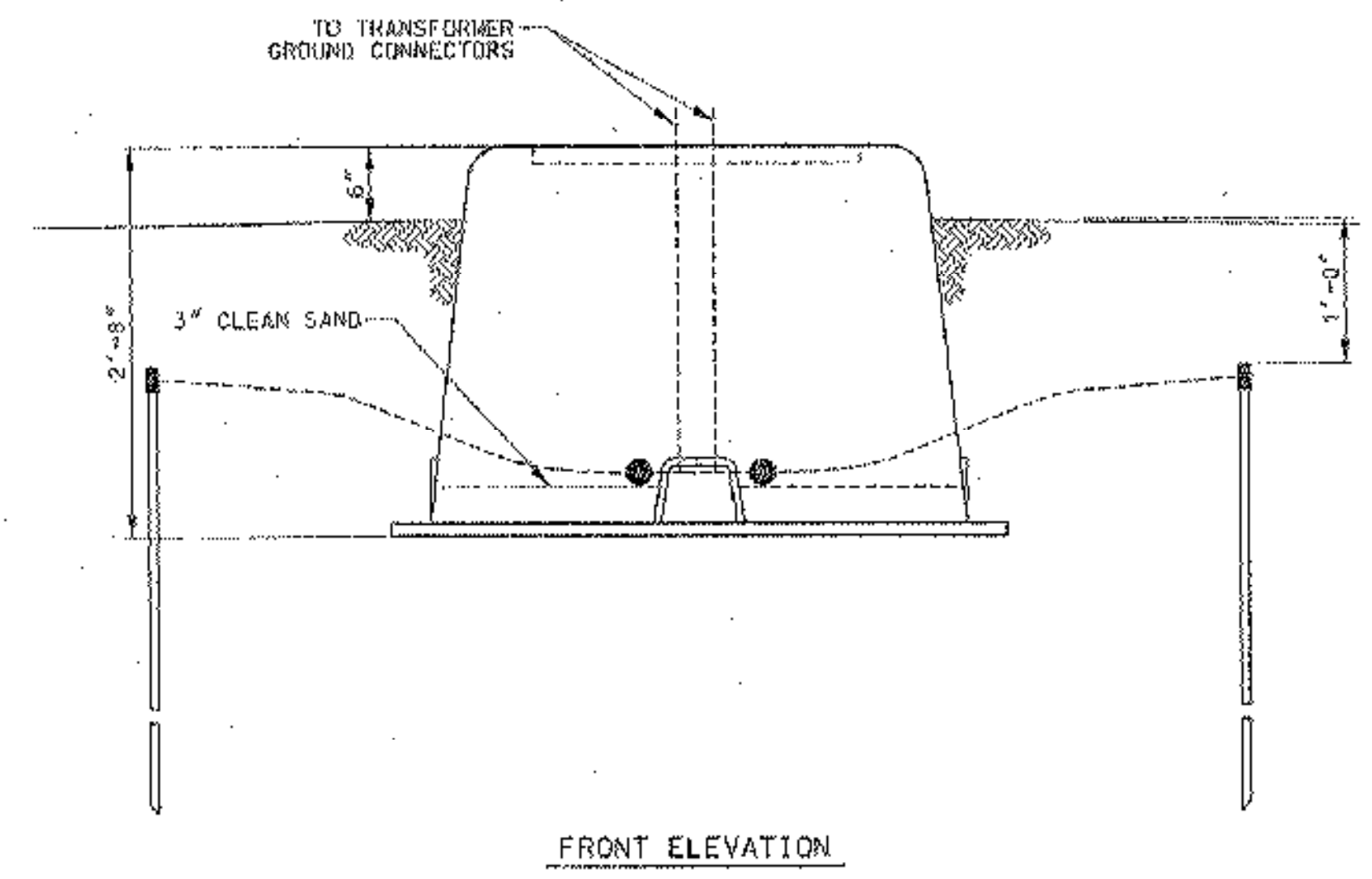
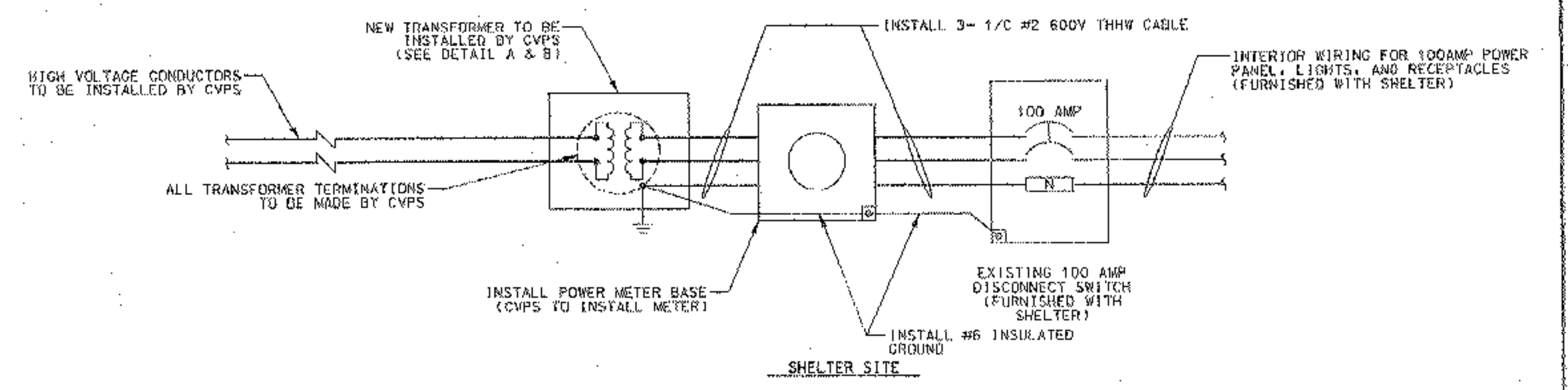


PLAN VIEW



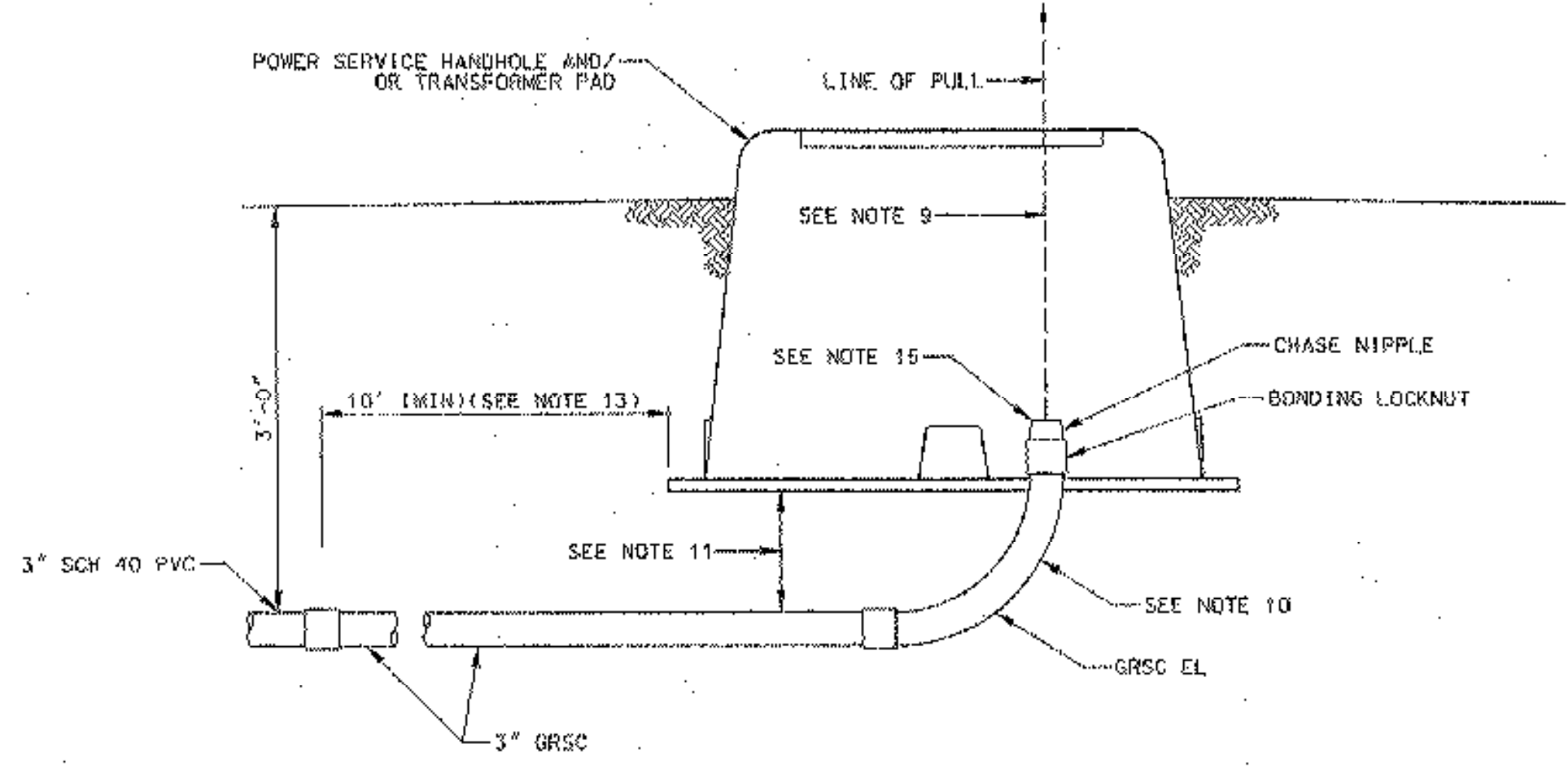
FRONT ELEVATION

DETAIL A - POWER SERVICE HANDHOLE/TRANSFORMER PAD
SCALE: 1" = 1'-0"



DETAIL C - PUBLIC SERVICE ONE LINE DIAGRAM
NOT TO SCALE

NOT USED



DETAIL B - FOUNDATION CONDUIT INSTALLATION
SCALE: 1" = 1'-0"

- NOTES**
- COORDINATE POWER SHUT DOWNS AND POWER SERVICE INSTALLATIONS WITH CENTRAL VERMONT POWER SERVICE (CVPS).
 - COORDINATE FIBERGLASS PAD MANUFACTURER/SIZE FOR TRANSFORMER WITH CVPS.
 - SET FIBERGLASS PAD TO PROVIDE ADEQUATE DRAINAGE AWAY FROM PAD. IF NECESSARY TO LOCATE IN A LOW SPOT, SET ON MOUND A MINIMUM OF 18" HIGH WITH A 1 ON 4 SLOPE.
 - THE TRANSFORMER MUST BE SECURED TO ITS PAD BY USING 2- 3/8" BOLTS WITH APPROPRIATE WASHERS (BY CVPS).
 - LEAVE SLACK IN SECONDARY CABLES IN OPEN CABLE SPACE.
 - INSTALL 3" CLEAN SAND IN BOTTOM OF POWER SERVICE HANDHOLE.
 - PAD DIMENSIONS MAY VARY WITH MANUFACTURER.
 - LOCATE THE PAD SO IT IS READILY ACCESSIBLE BY CVPS TRUCK FOR TRANSFORMER DELIVERY.
 - ELBOW MUST BE ALIGNED TO ALLOW STRAIGHT PULL THROUGH HANDHOLE OPENING.
 - A 90° ELBOW IS TYPICAL. HOWEVER, CONDITIONS MAY REQUIRE THAT A 45° ELBOW BE SPECIFIED BY ENGINEERING.
 - PROVIDE SUFFICIENT CLEARANCE SO HANDHOLE DOES NOT CONTACT ELBOW.
 - A 500 LB RATED PULL STRING SHALL BE INSTALLED IN THE COMPLETED CONDUIT RUN.
 - CONDUIT ENDS TO BE SEALED WITH APPROVED DUCT SEAL AFTER CABLES ARE INSTALLED.
 - STEEL CONDUIT SHALL EXTEND AT LEAST 10 FEET FROM HANDHOLE.
 - ALL RIGID GALVANIZED STEEL CONDUIT TO BE BONDED TO GROUND GRID.

THIS DRAWING SUPERSEDES DRAWING
NE-D-27464-005/C, REV 0, DATED 09/04/1998

REV	DATE	DESCRIPTION	BY	DATE	APP'D
A	02/14/2002	PROPOSED/WR#6940/6th		3426	01/08/2002

DEPARTMENT OF TRANSPORTATION
FEDERAL AVIATION ADMINISTRATION
BOSTON IMPLEMENTATION CENTER BURLINGTON, MA 01808
RUNWAY 19 (GL) FAN MARKER (FM)

**ELECTRICAL
DETAILS**

CHITTENDEN	RUTLAND STATE AIRPORT	VT
REVIEWED BY <i>[Signature]</i>	APPROVED BY <i>[Signature]</i>	
DESIGNED D. DALBIER, AN-180	ISSUED BY P. KIRBY, AN-180	DATE 02/14/2002
DRAWN [Blank]	NAS IMPLEMENTATION ANI-100	SCALE 3426 REV A
CHECKER [Blank]		NE-D-27464-E001

