

REV.	DATE	DESCRIPTION

Job No. F200002046.00  
File No. F20020460a33

**RUTLAND STATE AIRPORT**  
CLARENDON, VERMONT

**CROSS SECTIONS**  
TAXIWAY "F"

**URS**  
1 NORTHWAY LN.  
LATHAM, NEW YORK

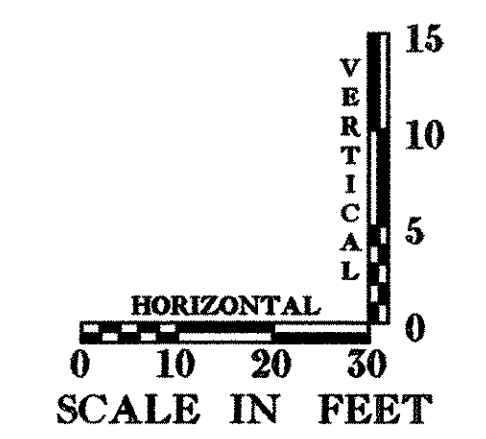
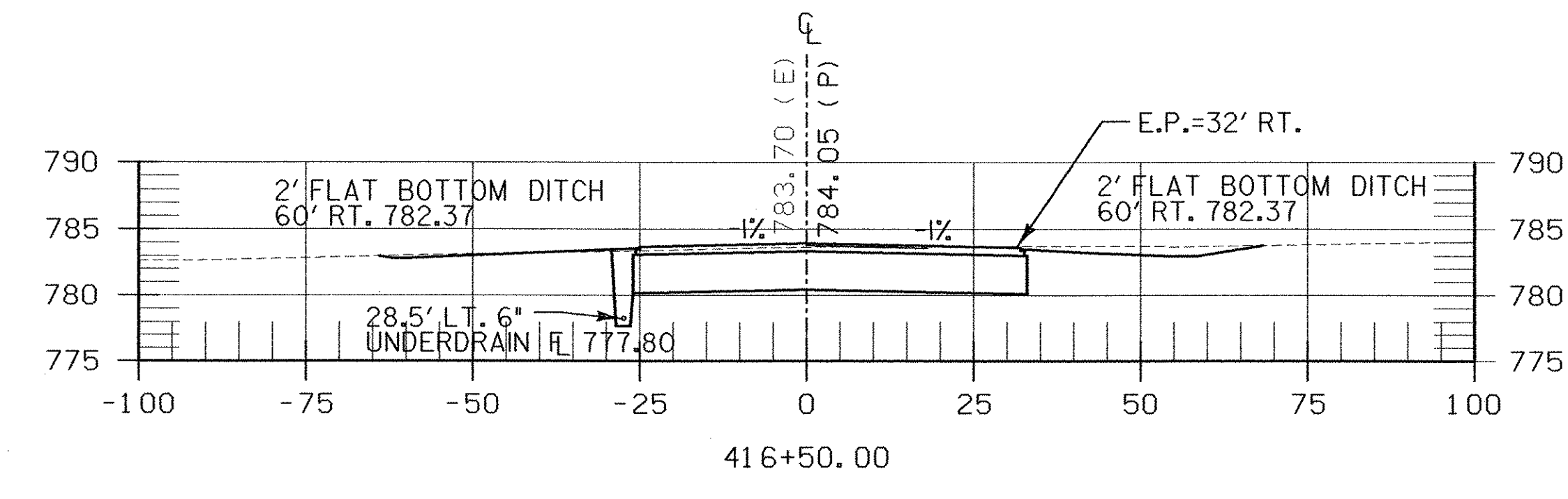
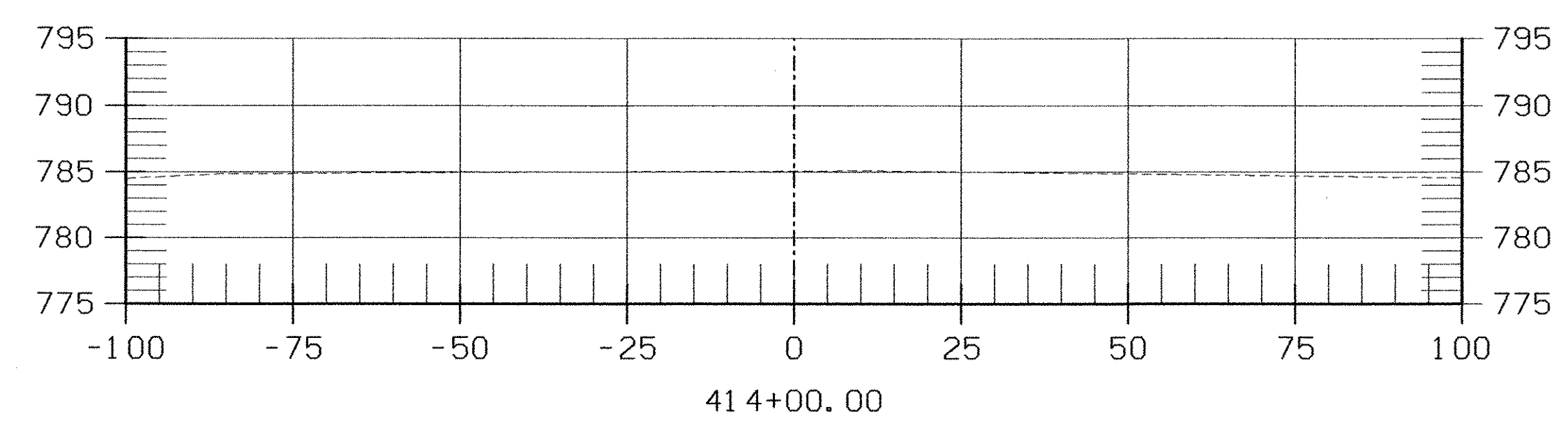
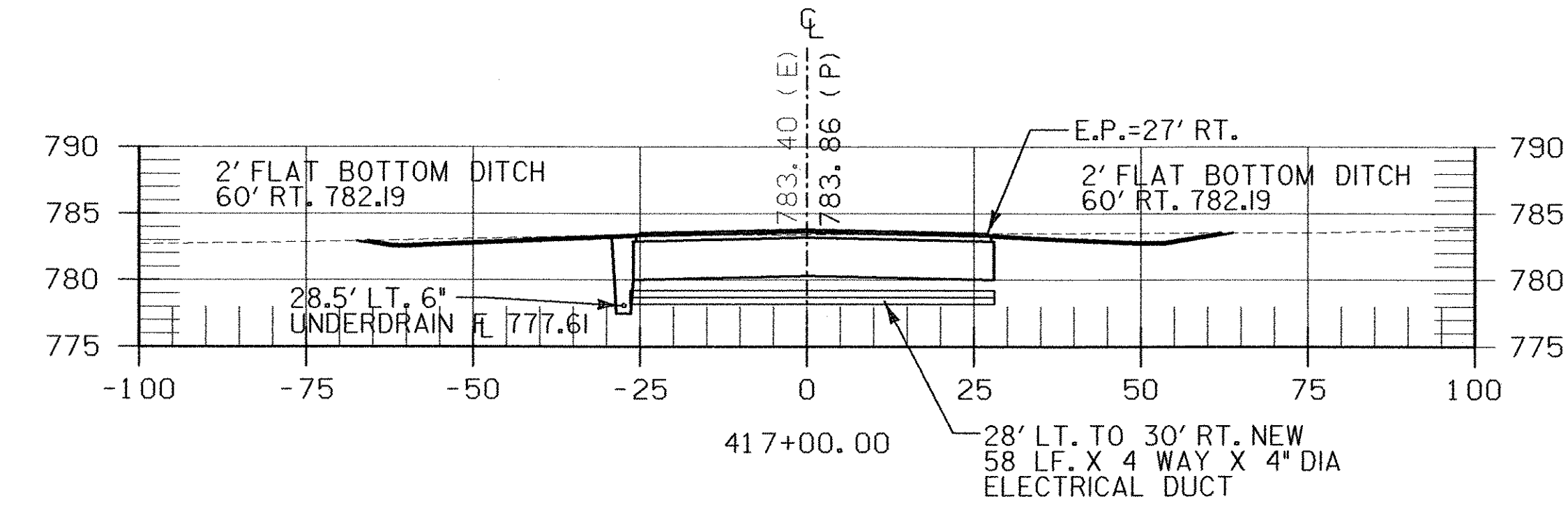
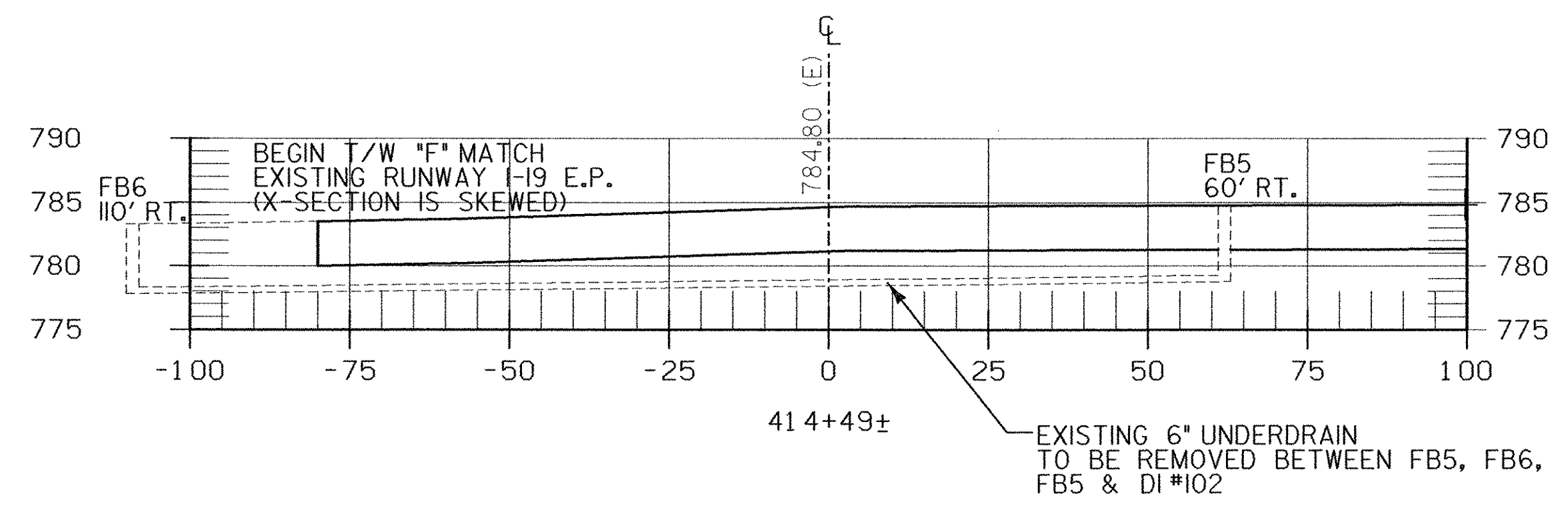
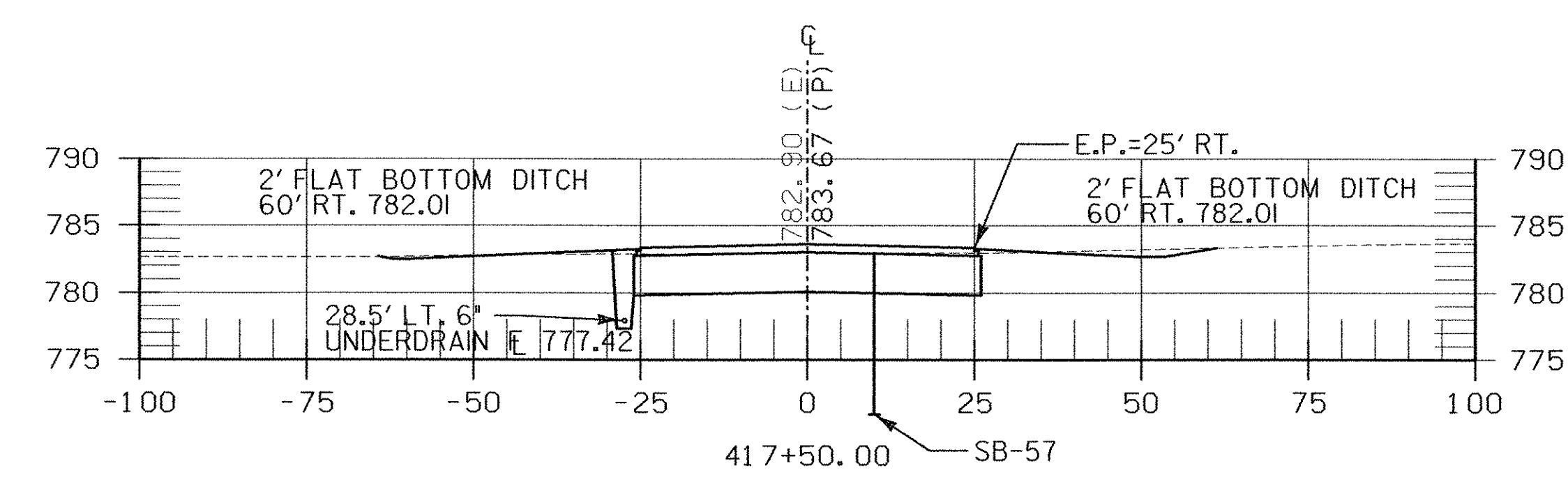
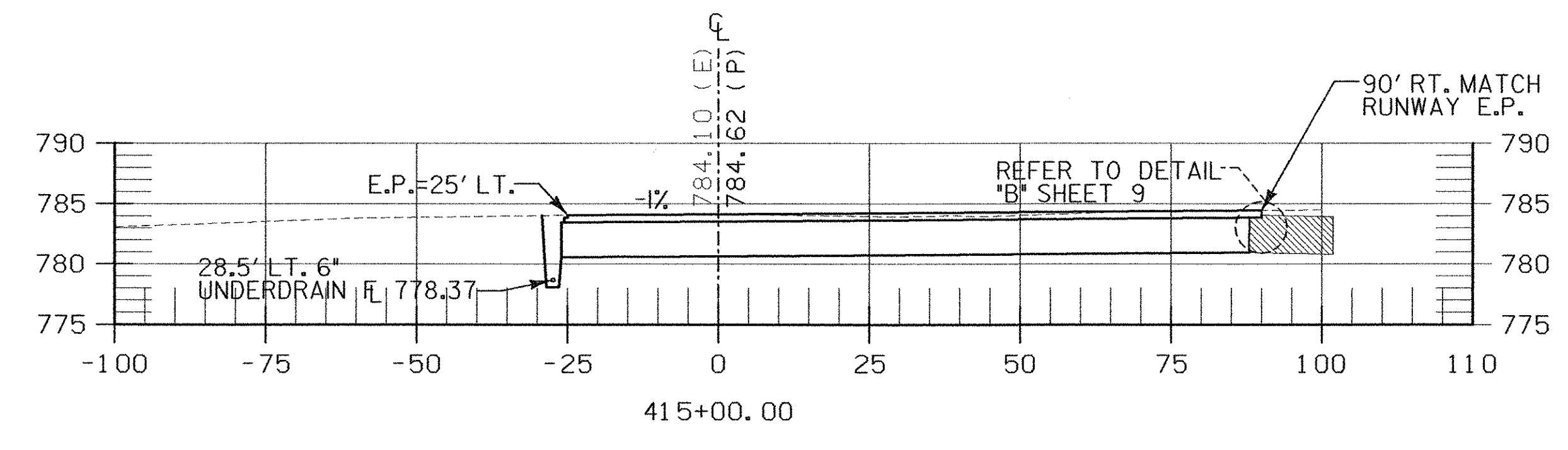
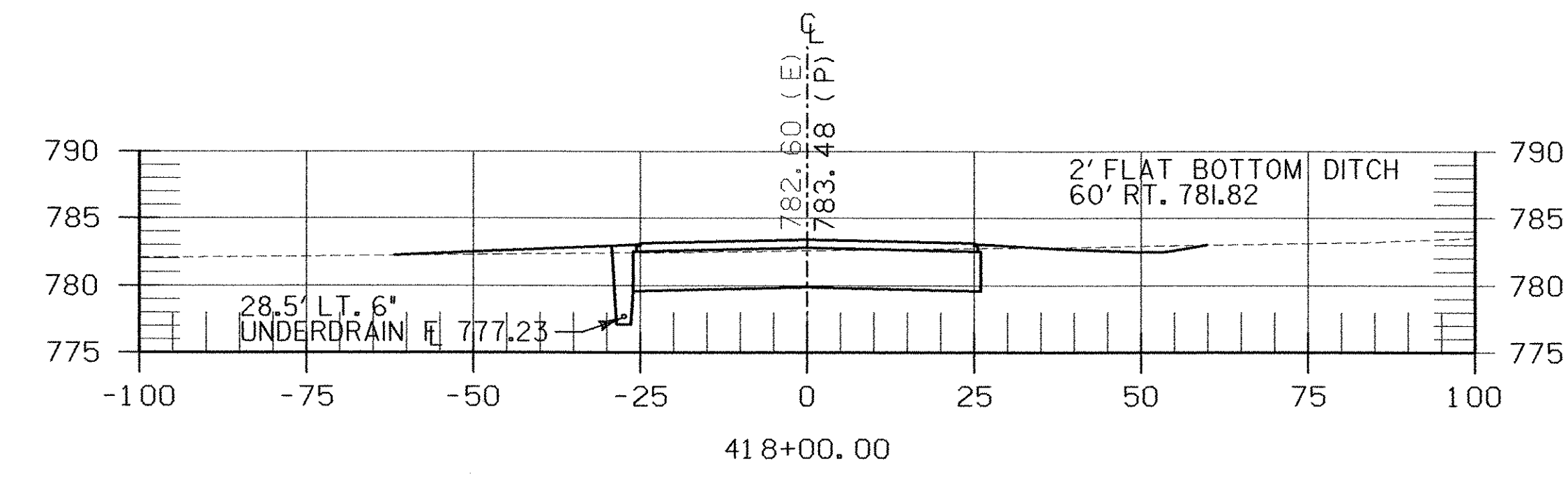
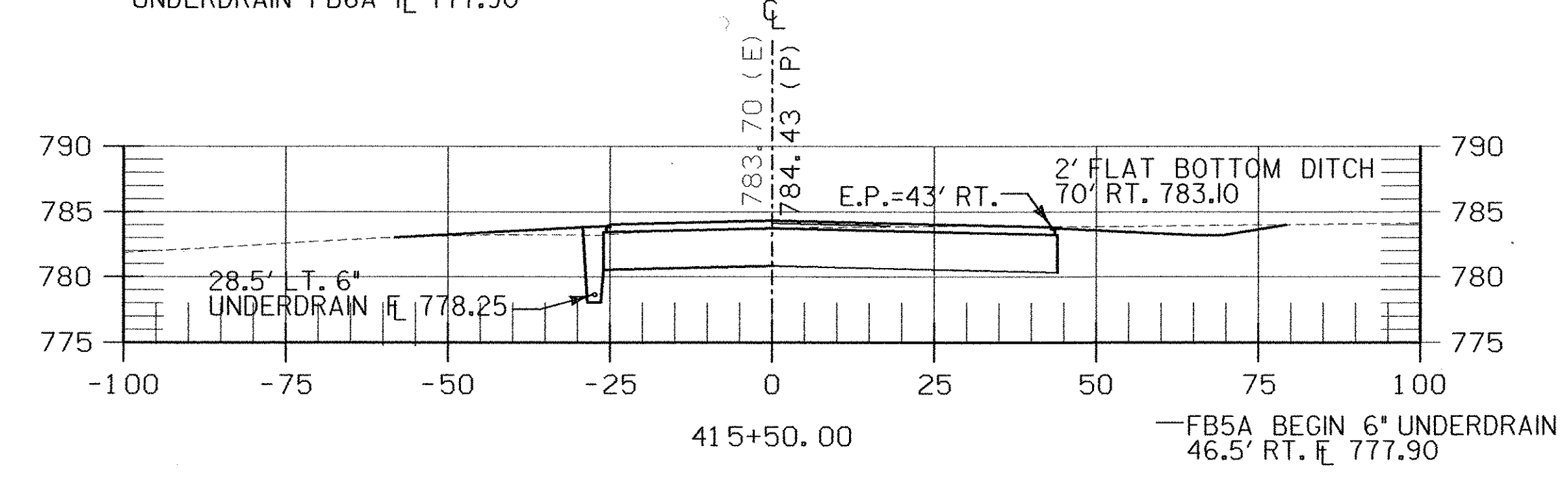
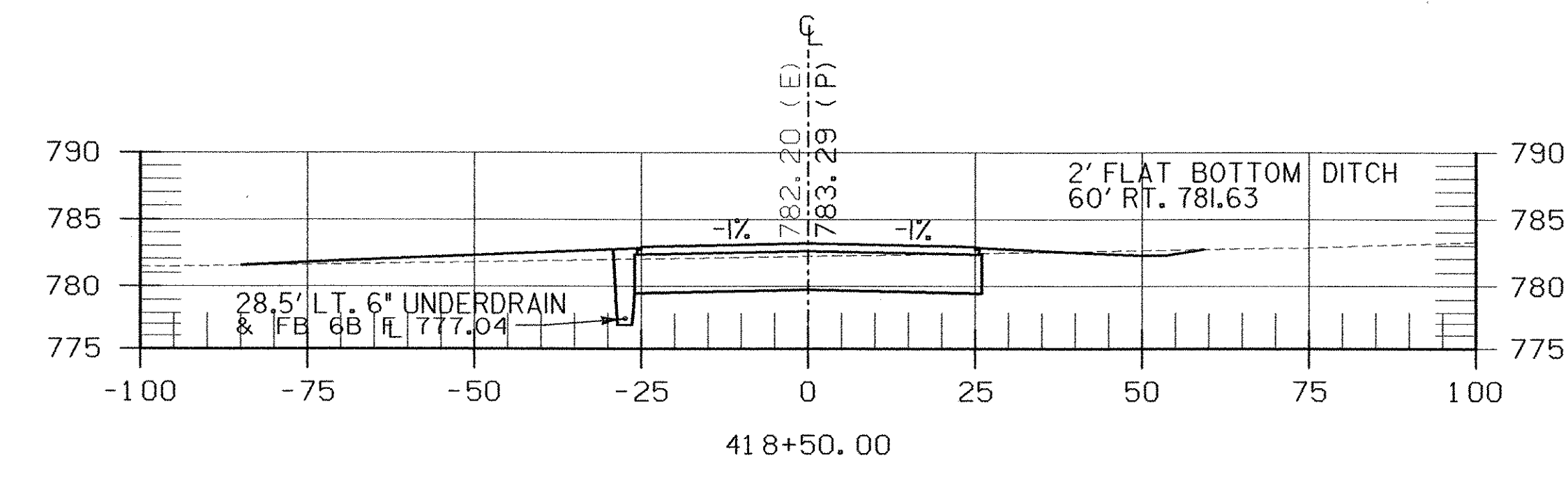
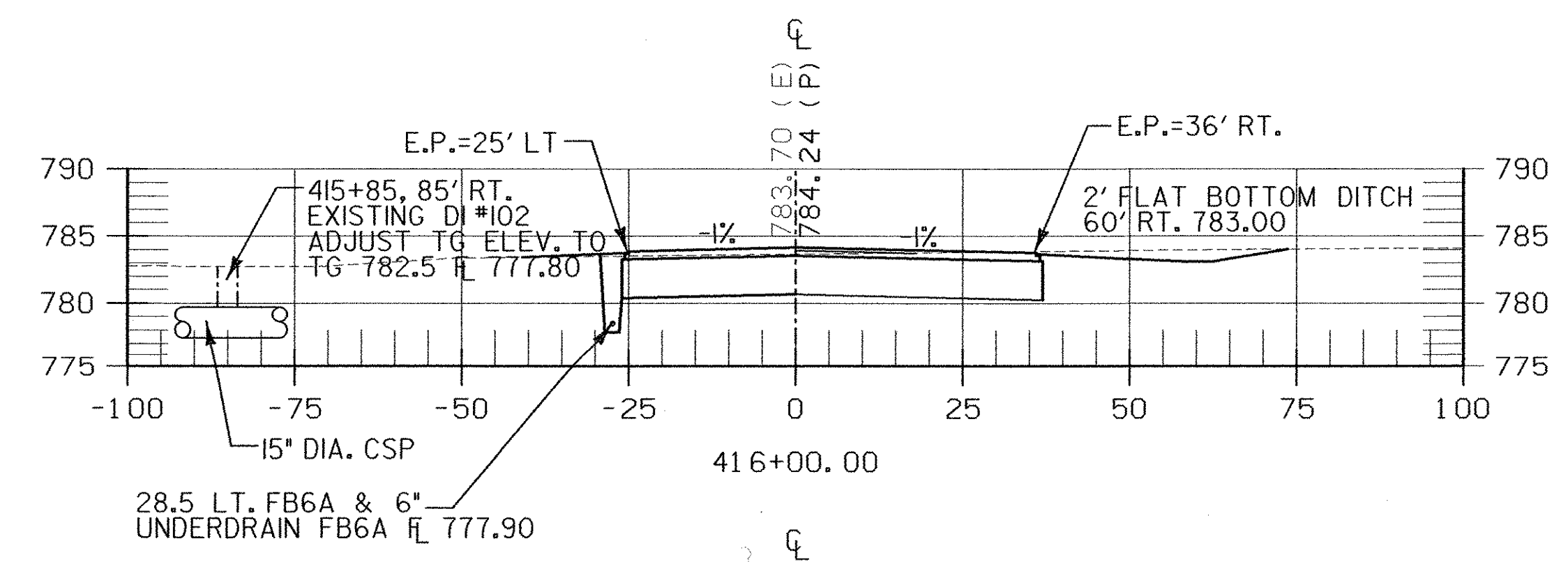
Designed by G.W.D.  
Drawn by M.C.M.  
Checked by M.K.C.  
Approved by G.W.D.

Scale: AS SHOWN

Date: FEB., 2003

Sheet 33 of 40

Sheet No  
**33**



**PROJECT "B"**  
**A.I.P. 3-50-0015-17**

P:\CIVIL\Sheet\10CT2002\F2000020460a33.dgn