

REV.	DATE	DESCRIPTION

RUTLAND STATE AIRPORT
CLARENDON, VERMONT

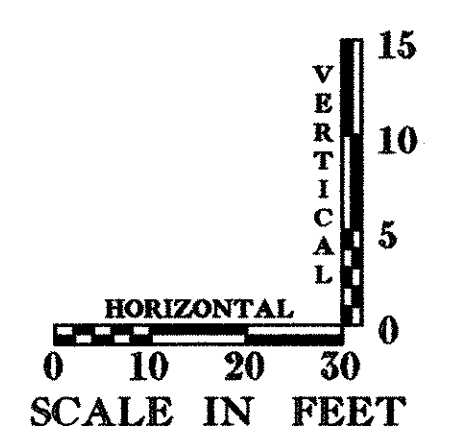
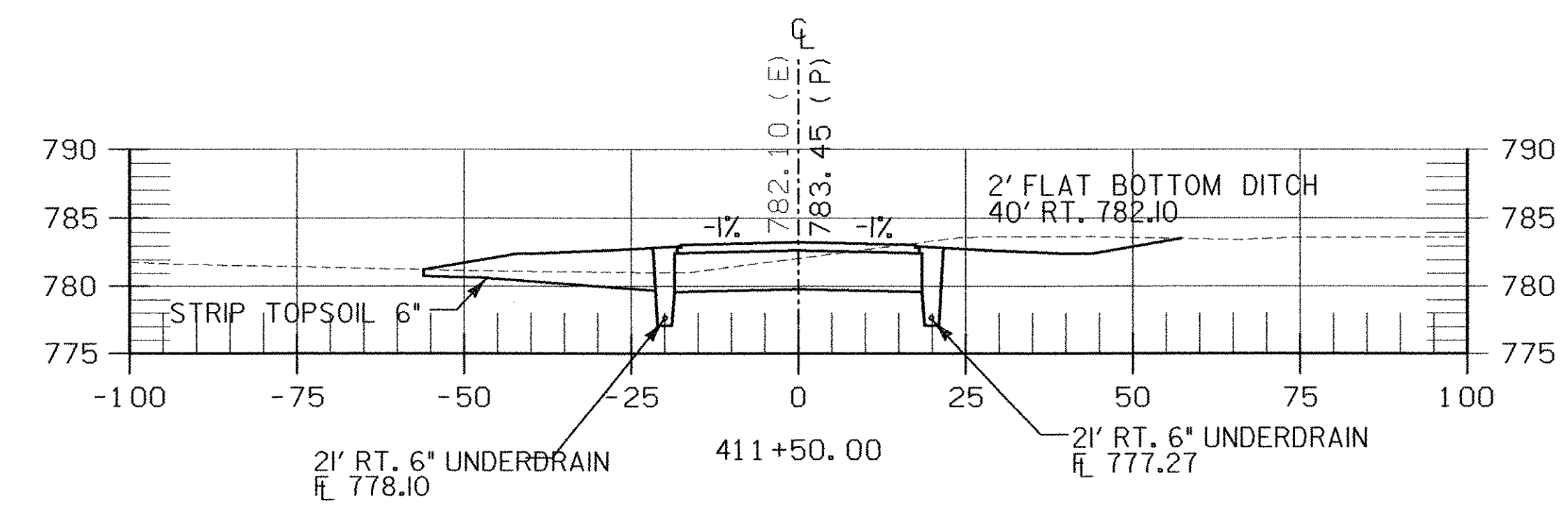
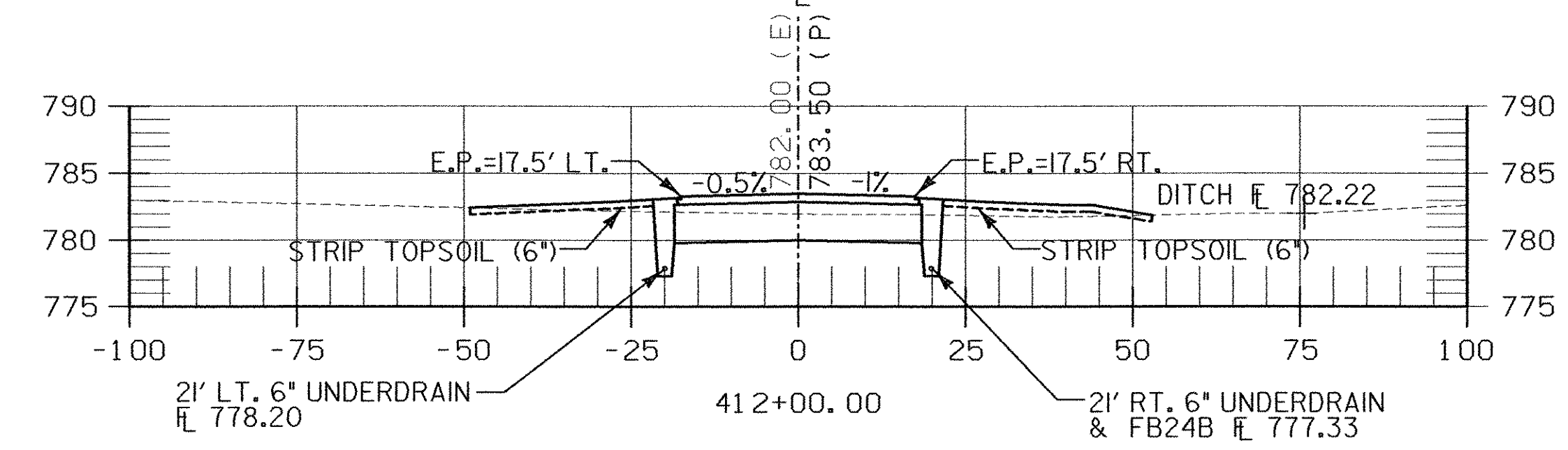
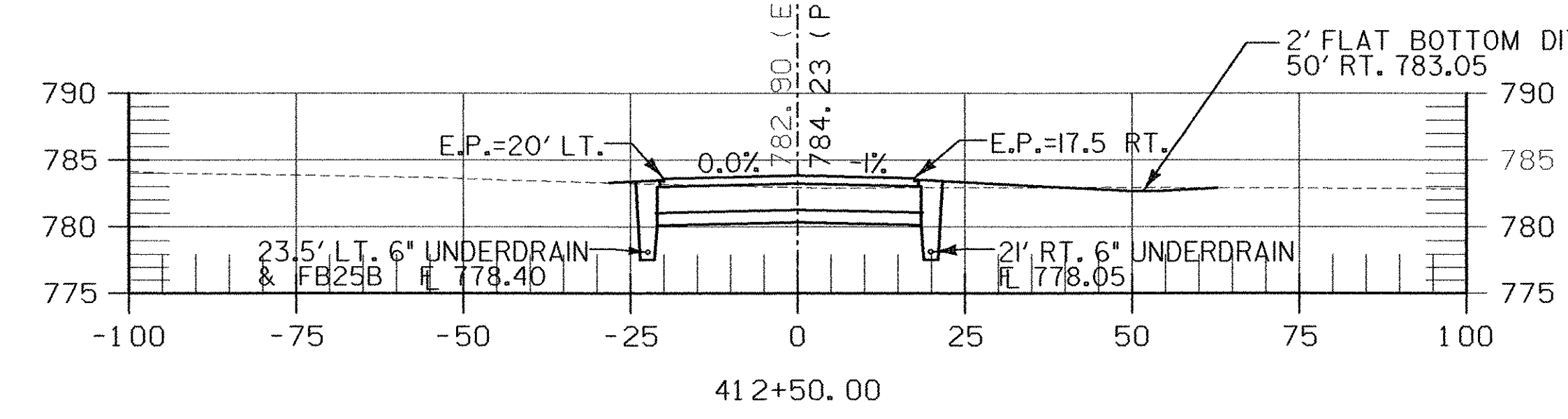
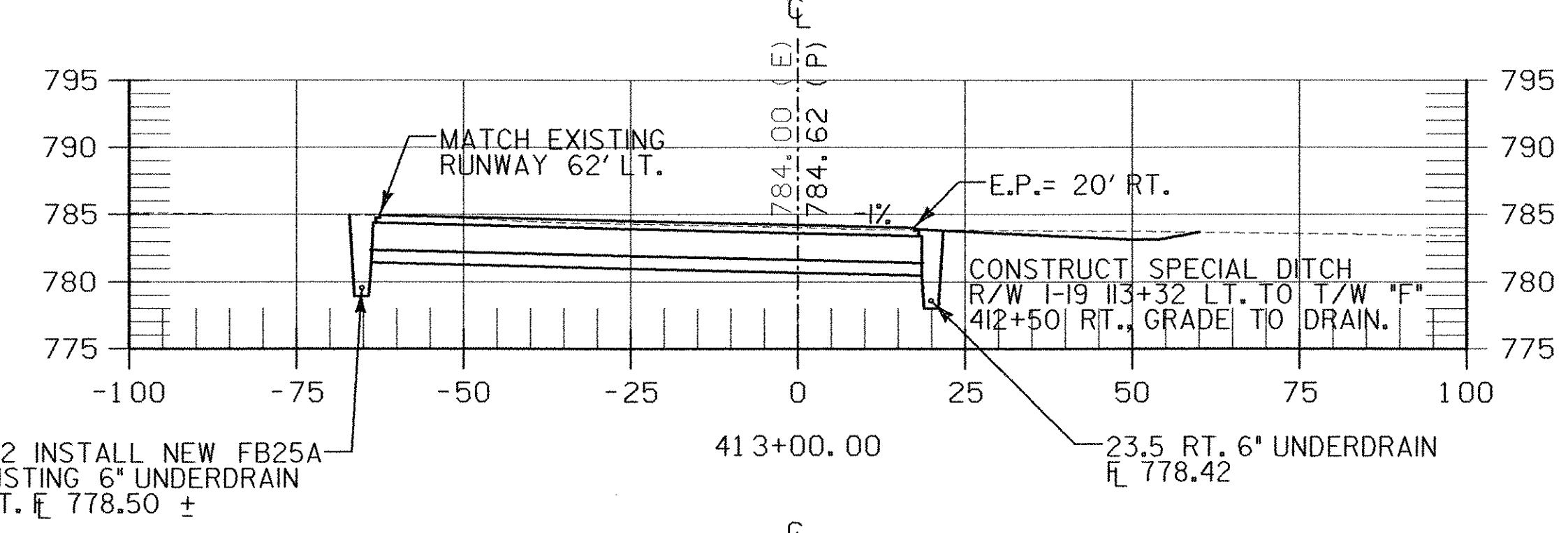
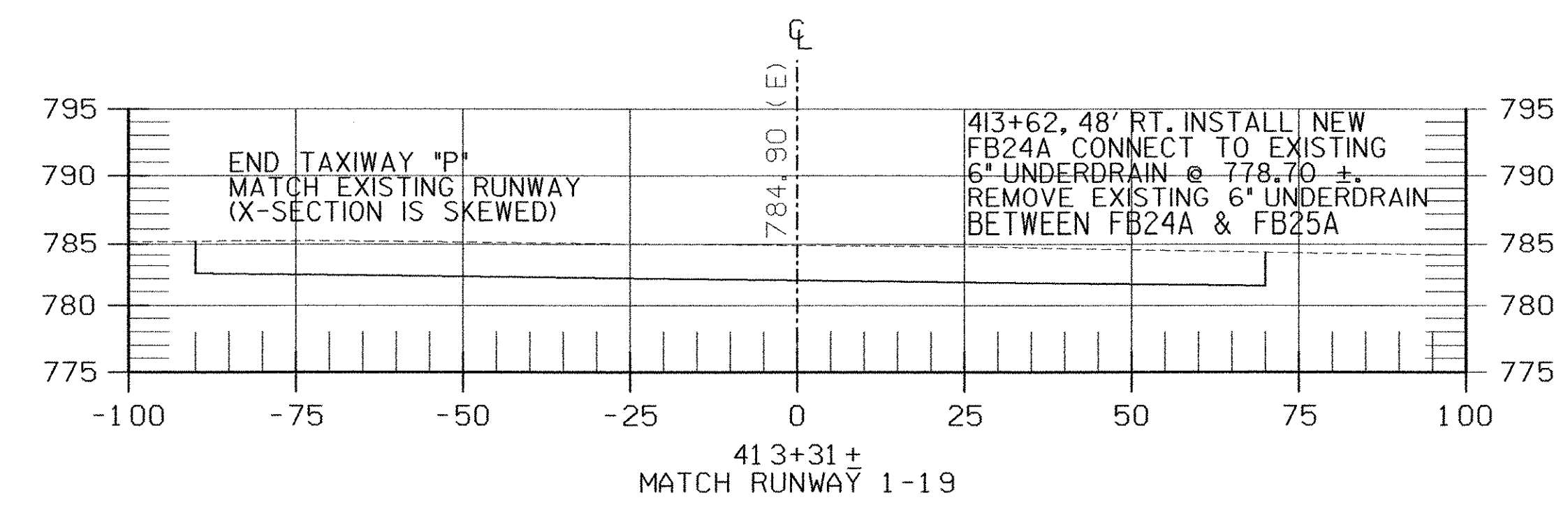
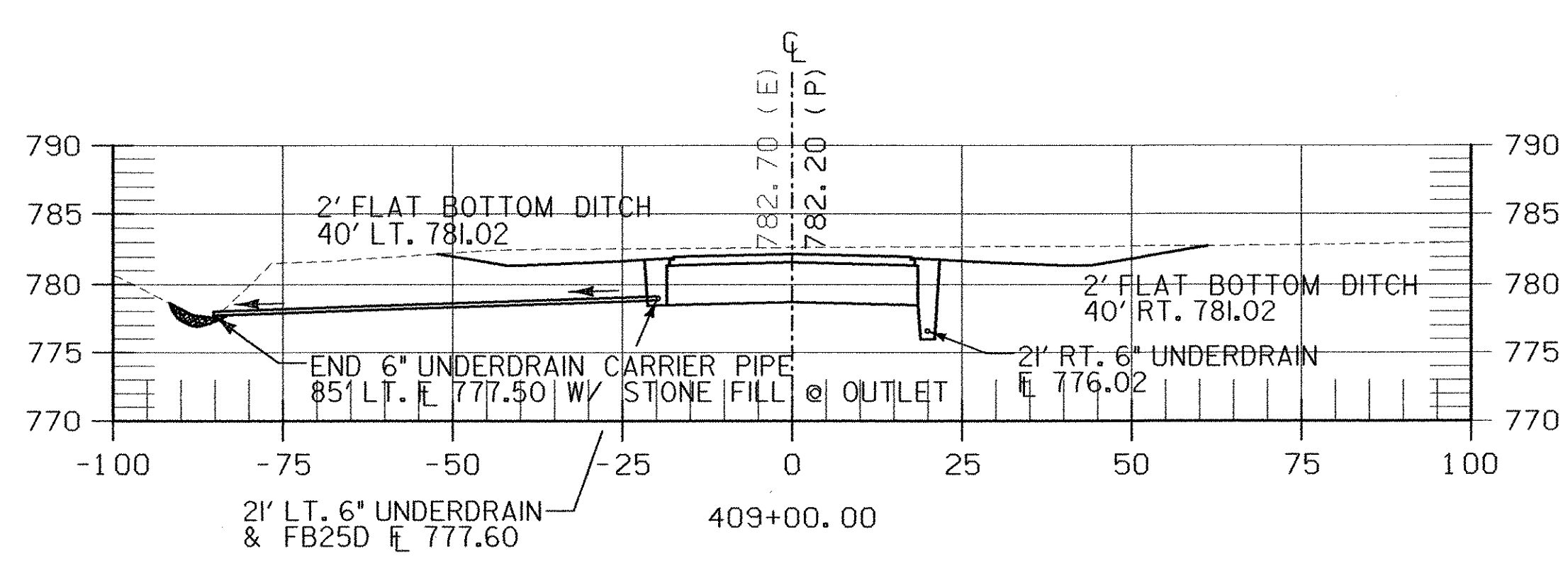
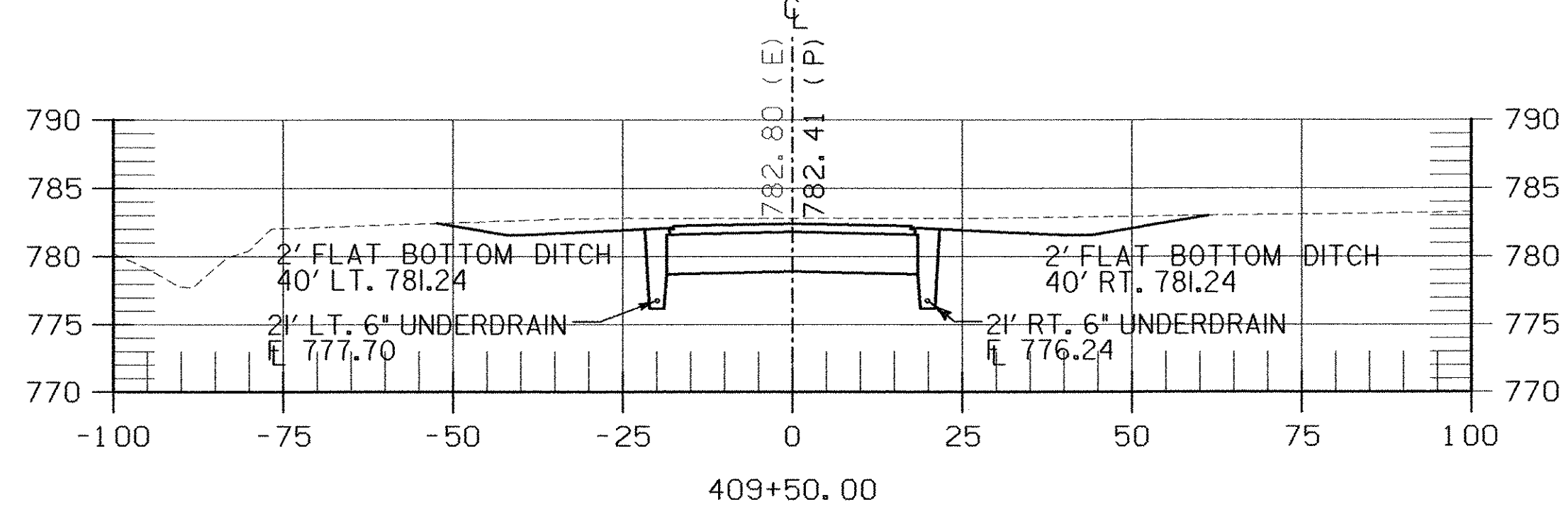
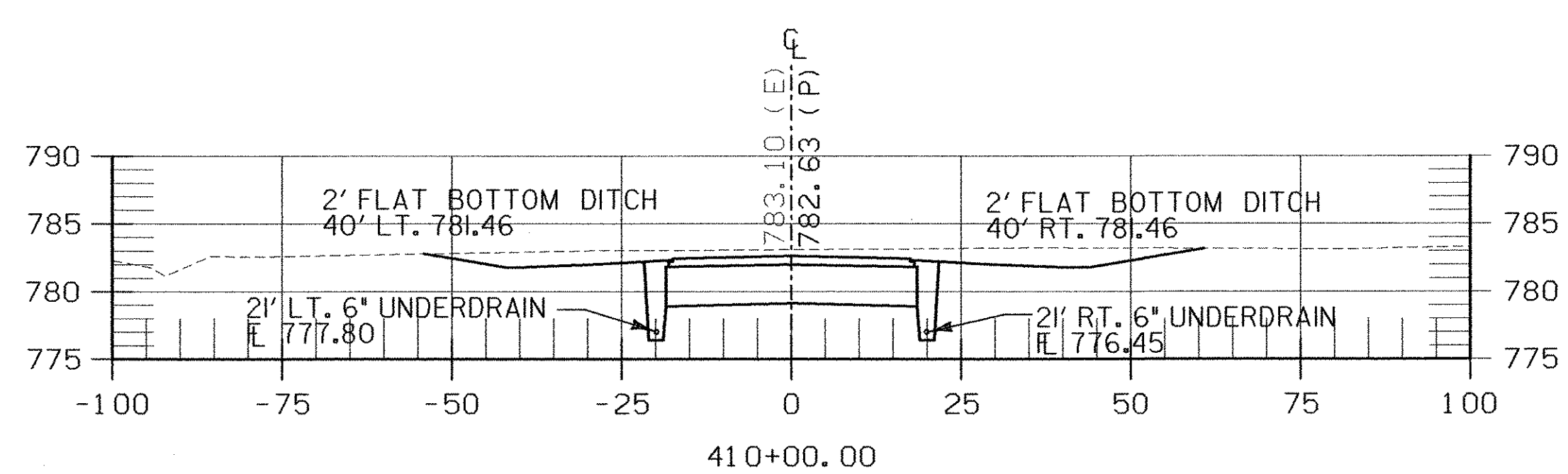
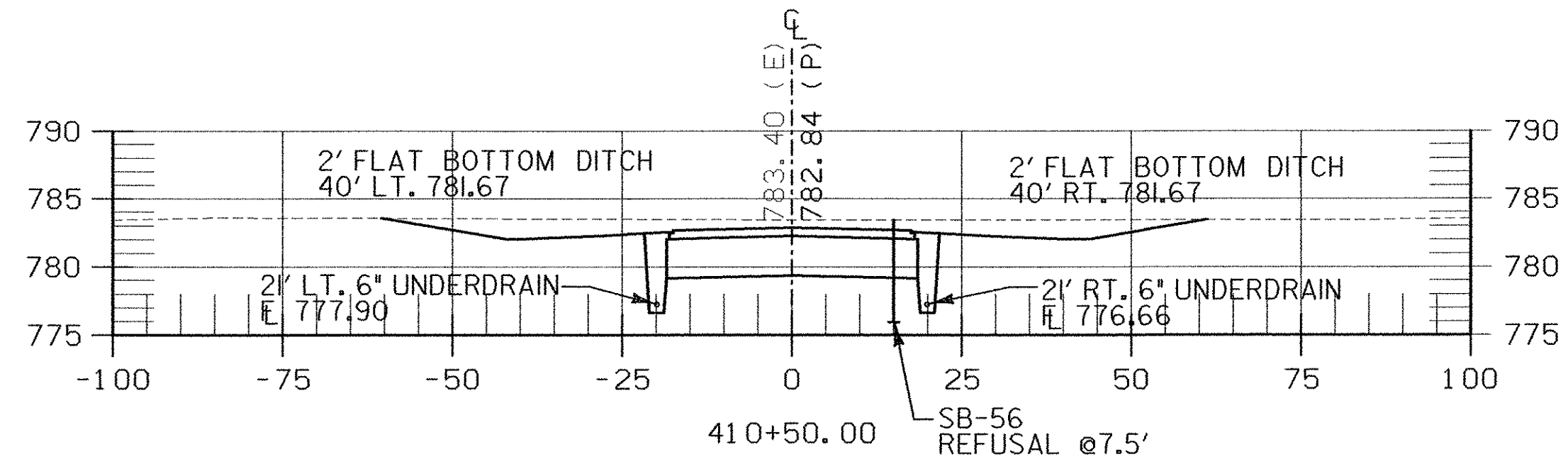
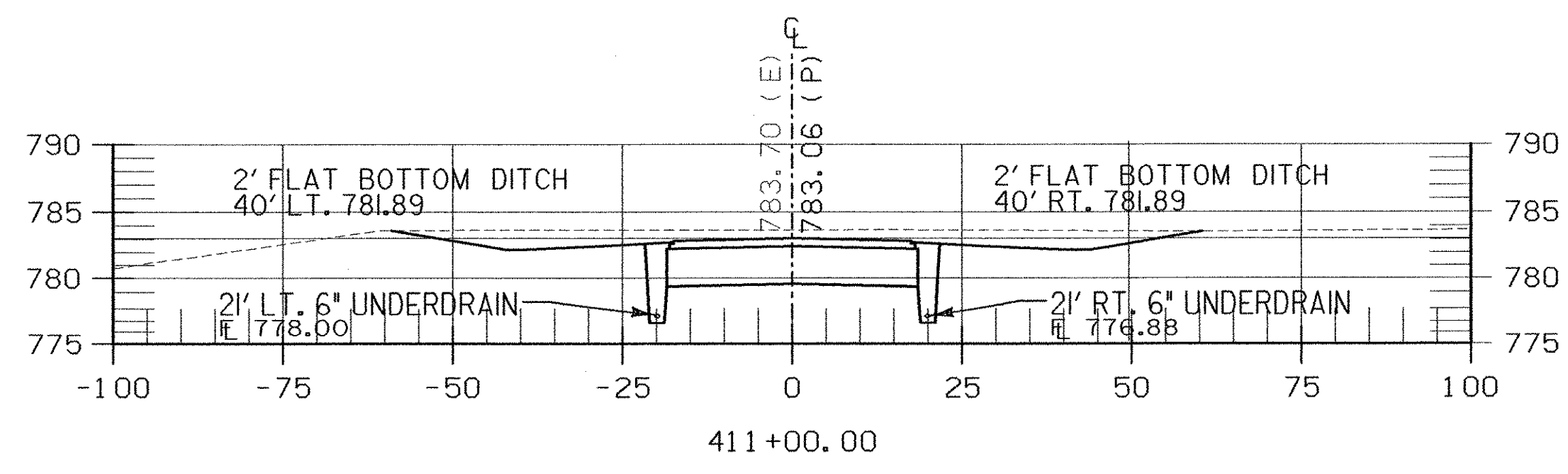
CROSS SECTIONS
TAXIWAY "P"

URS
1 NORTHWAY LN.
LATHAM, NEW YORK

Designed by G.W.D.
Drawn by M.C.M.
Checked by M.K.C.
Approved by G.W.D.

Scale: AS SHOWN
Date: FEB., 2003
Sheet 32 OF 40

Sheet No
32



PROJECT "A"
A.I.P. 3-50-0015-17

P:\CIVIL\Sheet\02\2002\F2020460\046032.dgn