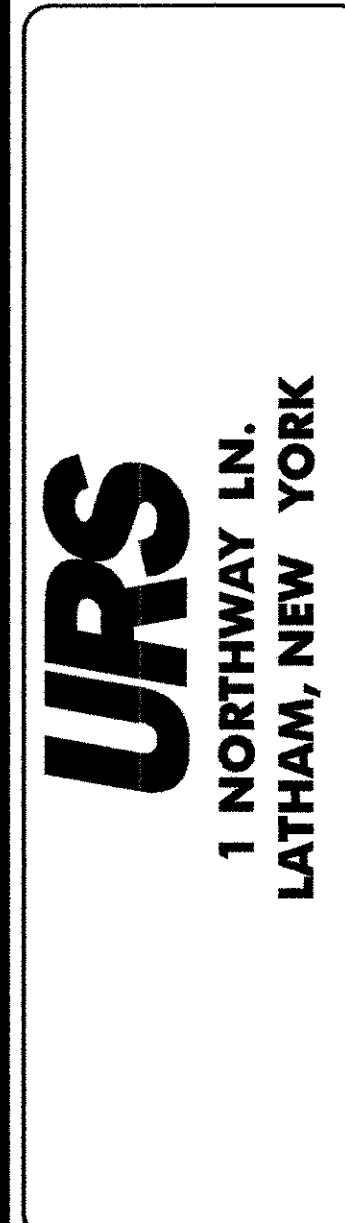


REV.	DATE	DESCRIPTION

Job No. F20002046.00  
File No. F20204604630

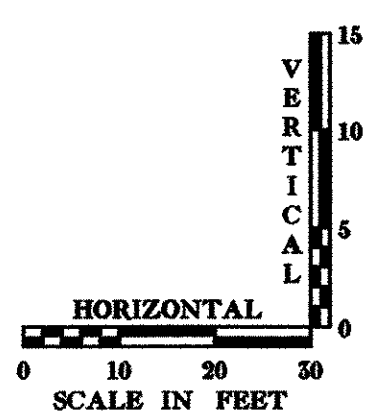
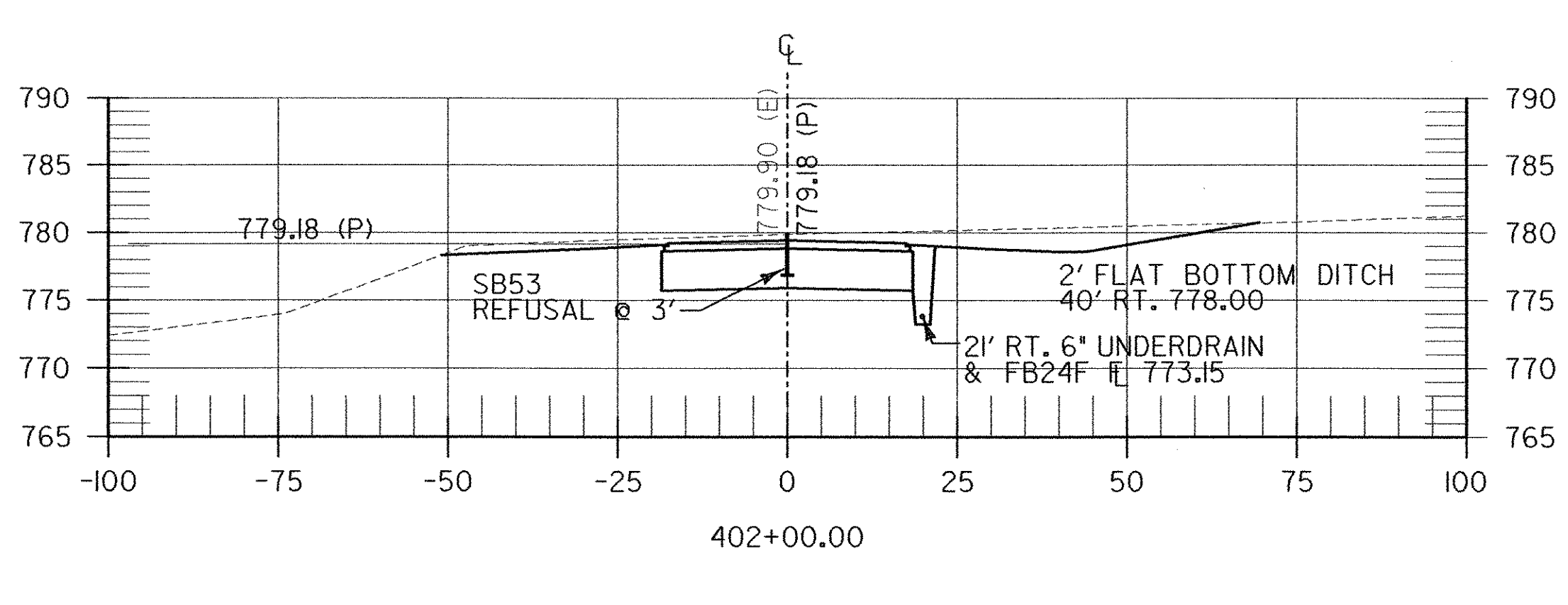
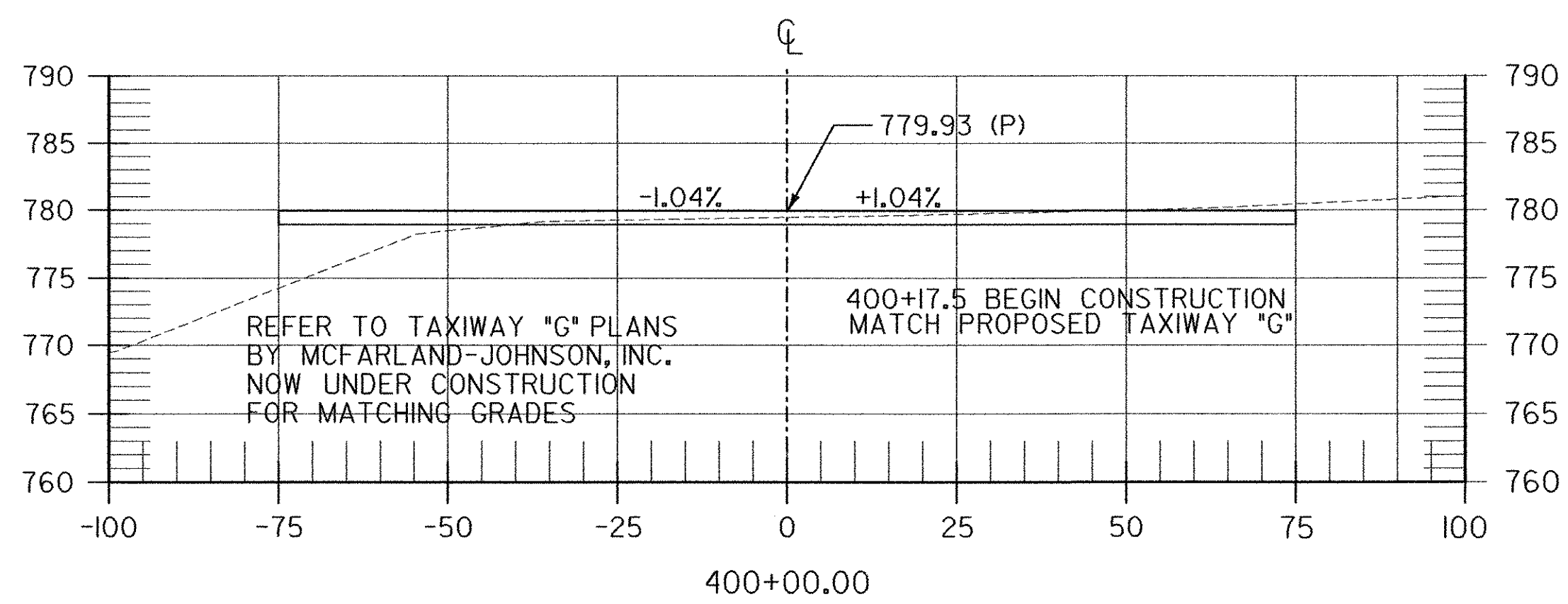
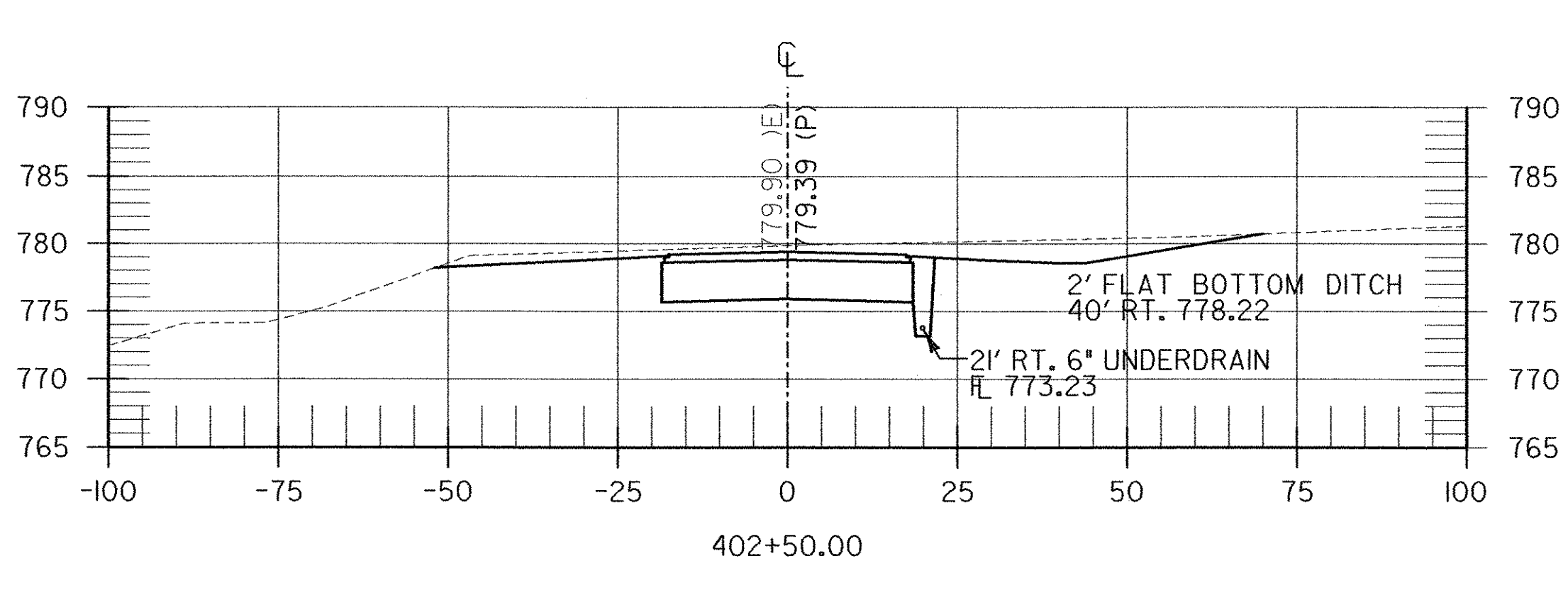
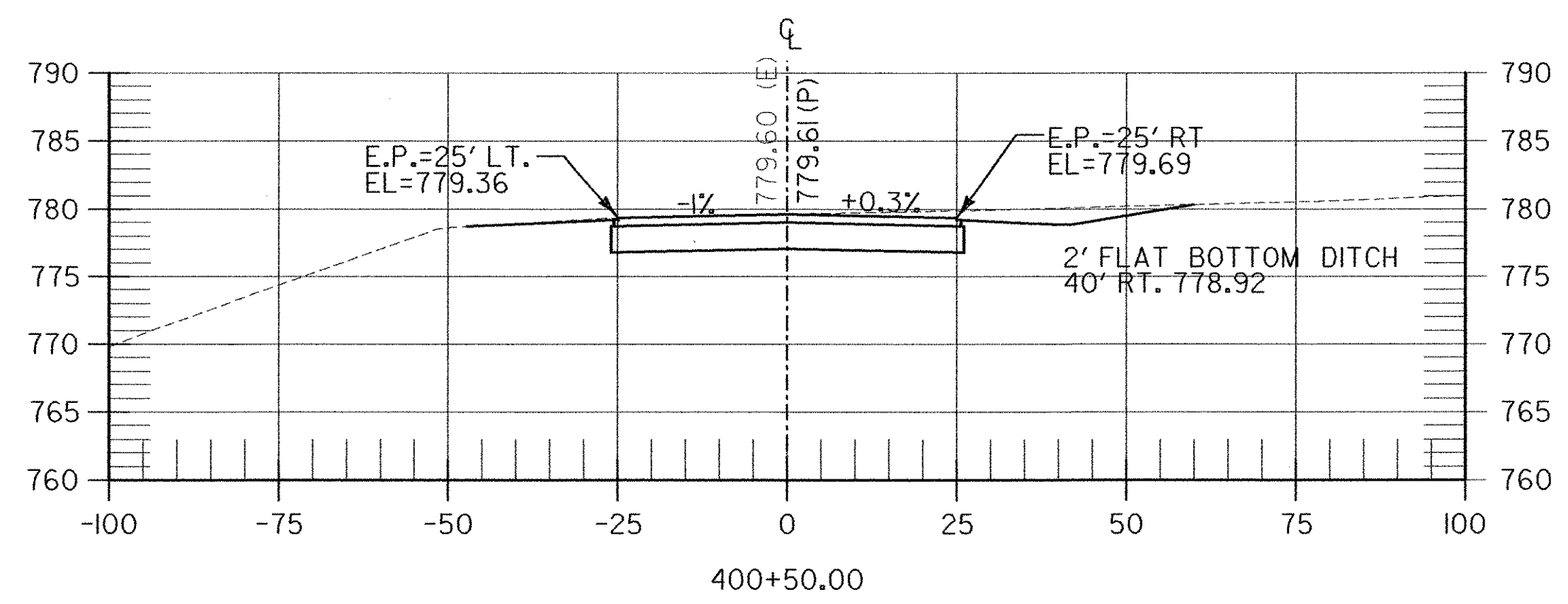
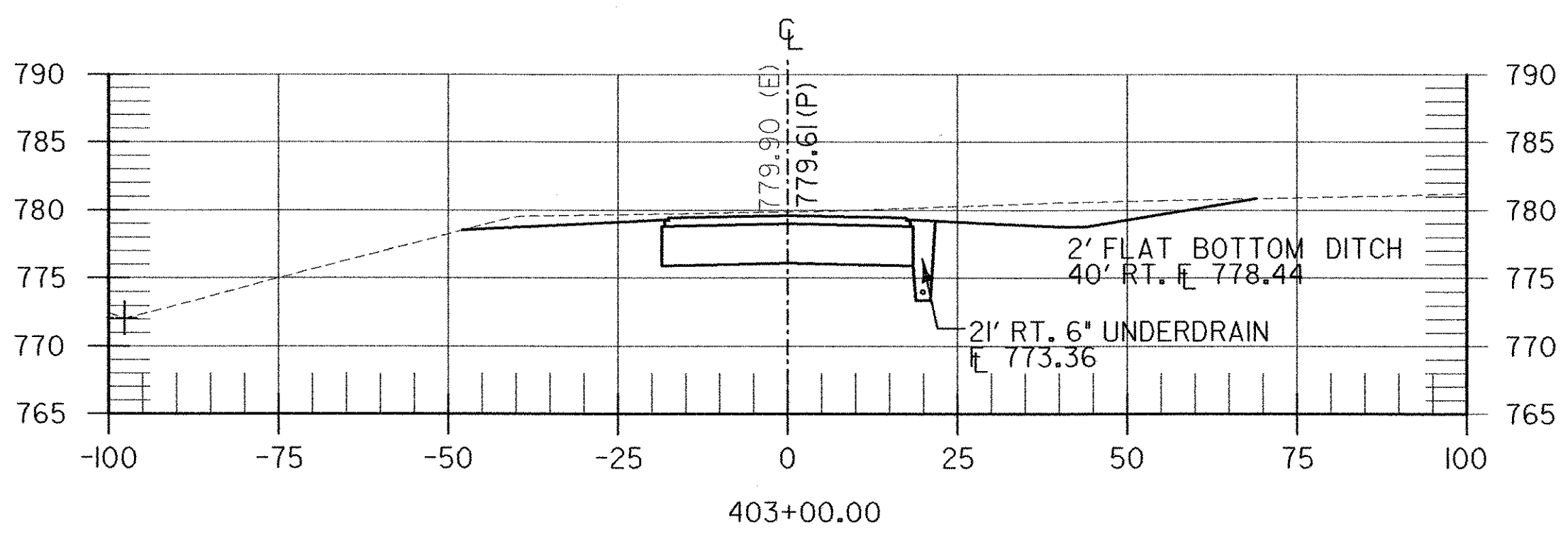
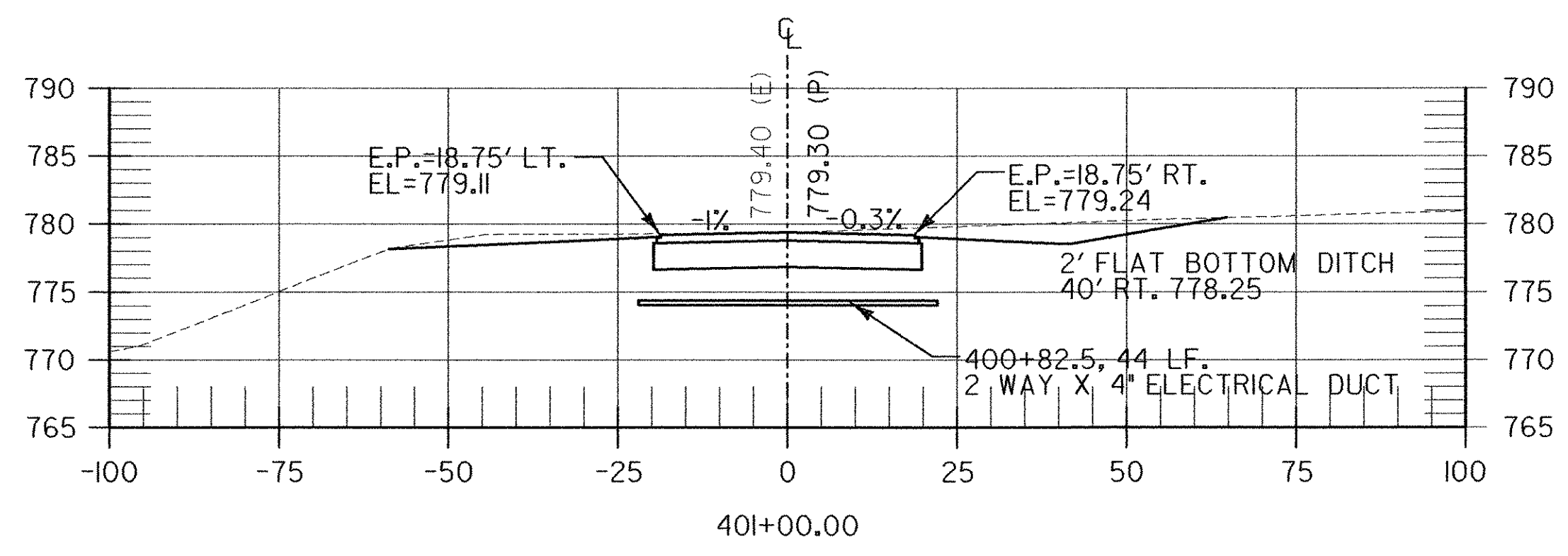
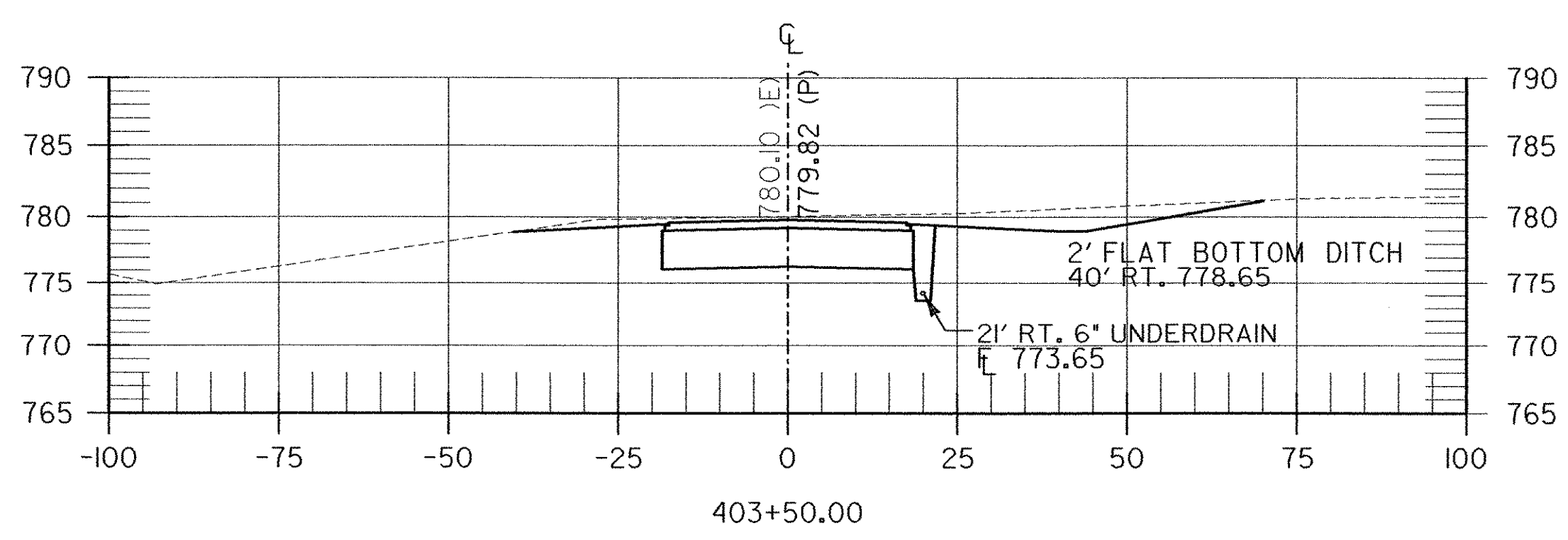
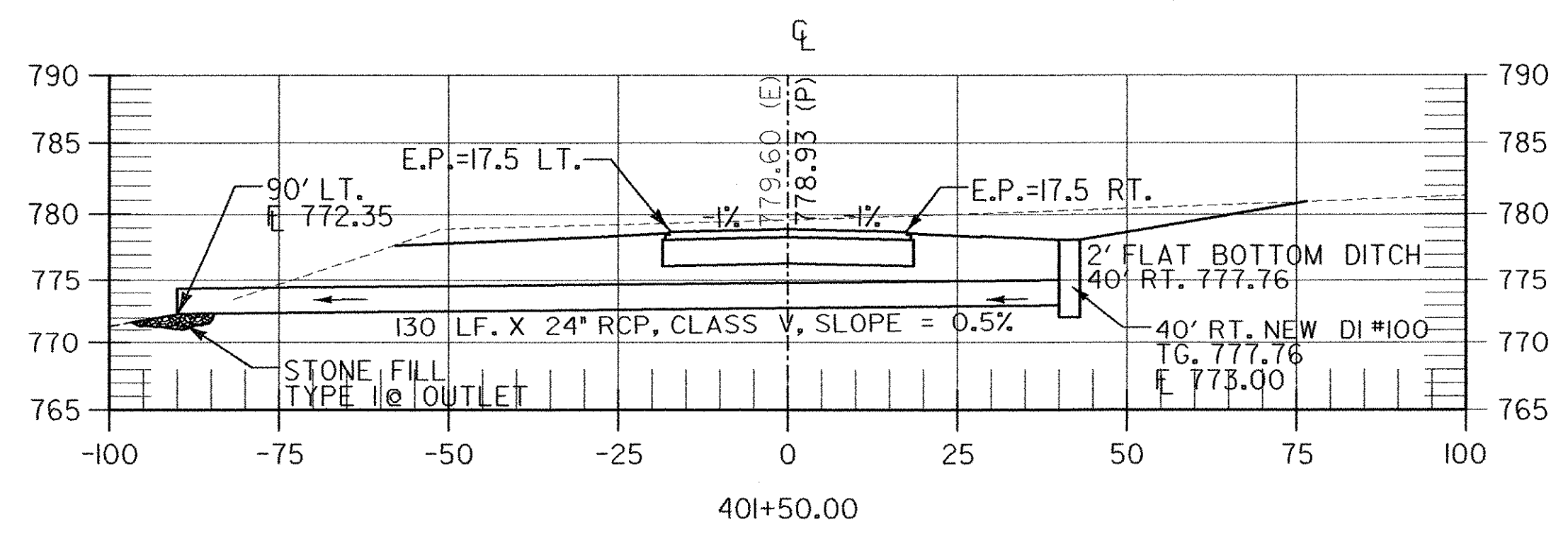
**RUTLAND STATE AIRPORT**  
CLARENDON, VERMONT

**CROSS SECTIONS**  
TAXIWAY "F"



Designed by: G.M.D.  
Drawn by: M.C.M.  
Checked by: M.K.C.  
Approved by: G.W.D.

Scales: AS SHOWN  
Date: FEB., 2003  
Sheet 30 OF 40  
Sheet No. **30**



P:\Civil\Sheet\UCT2002\F20204604630.dgn