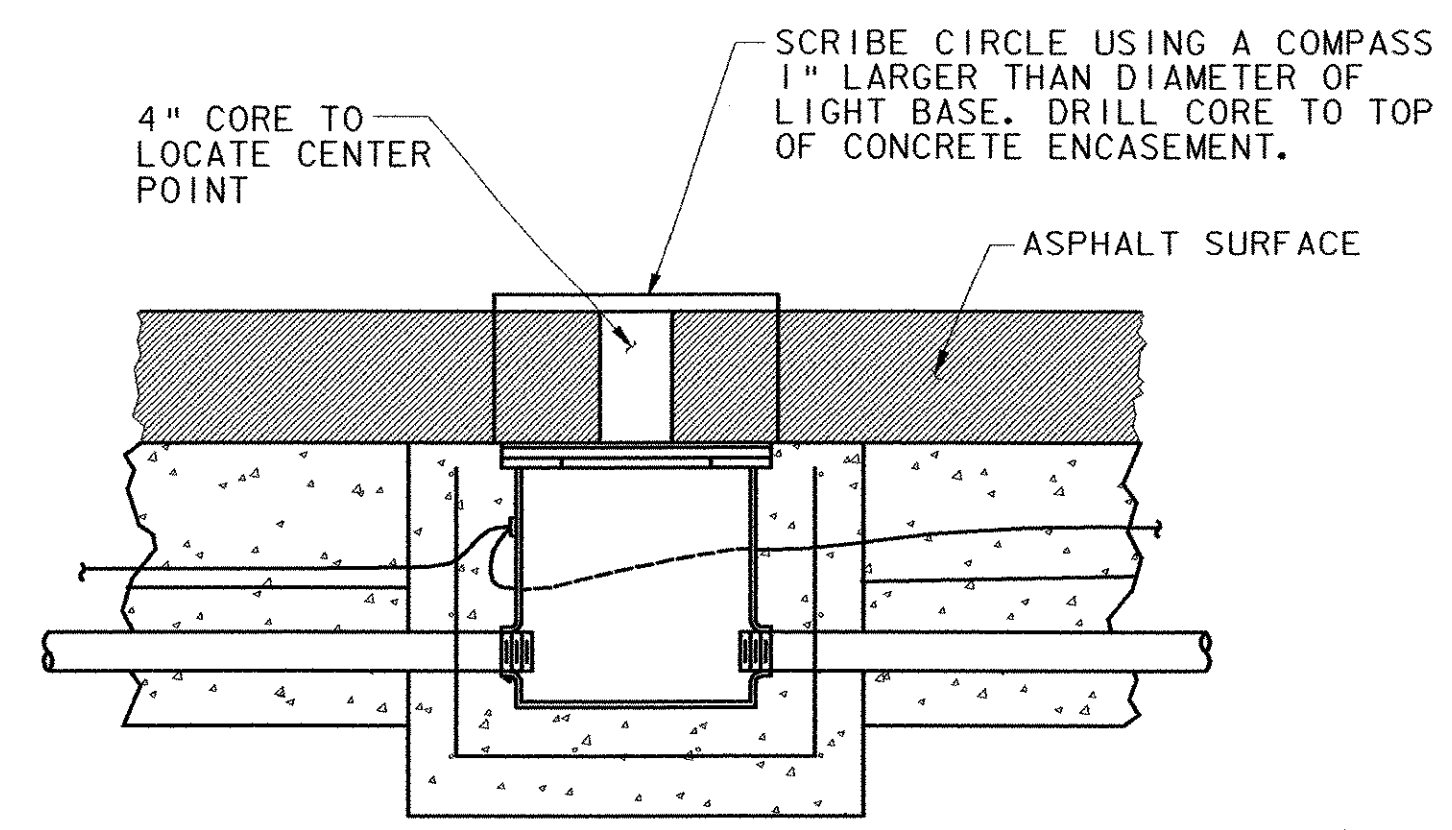
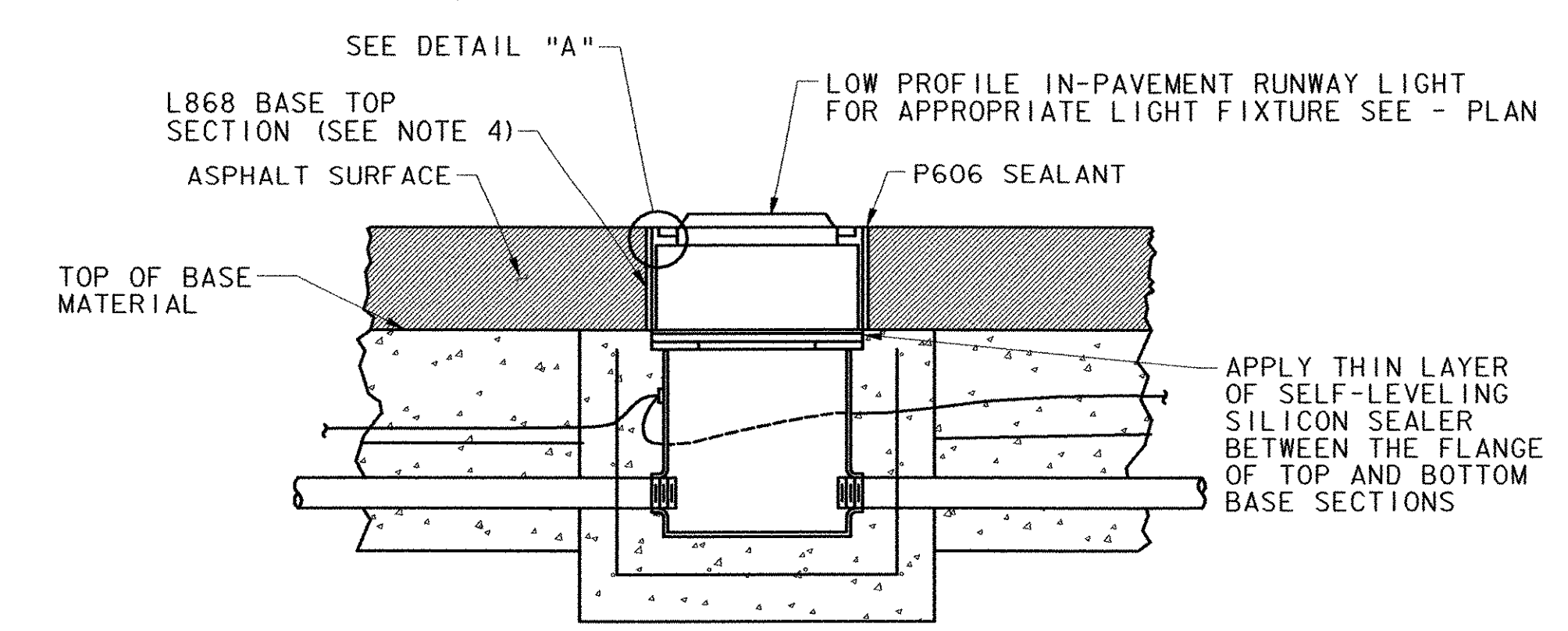


STEP 1
SCALE: NONE



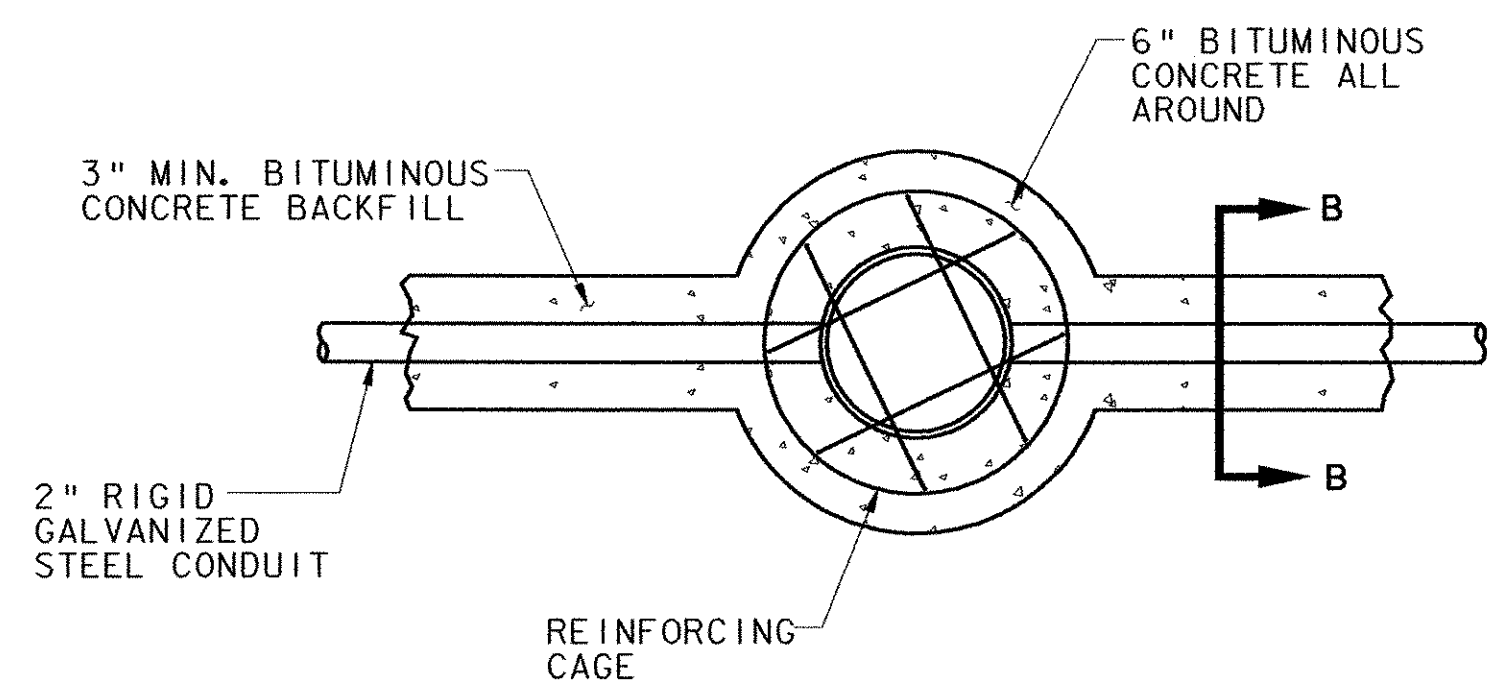
STEP 2
SCALE: NONE



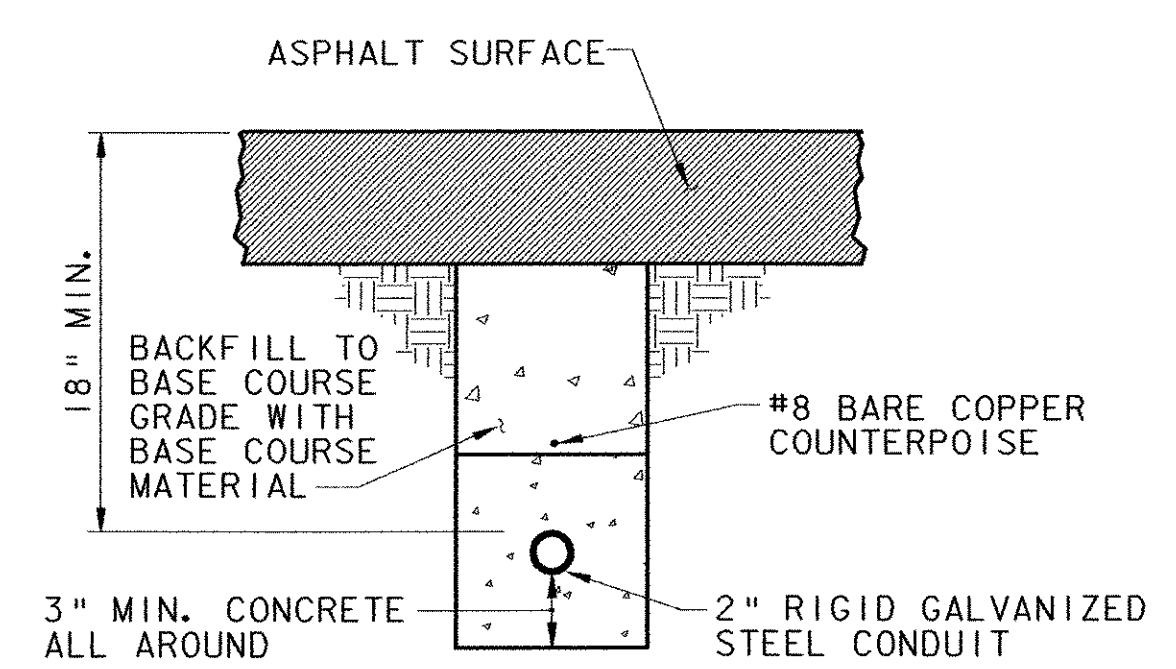
STEP 3
SCALE: NONE

GENERAL NOTES:

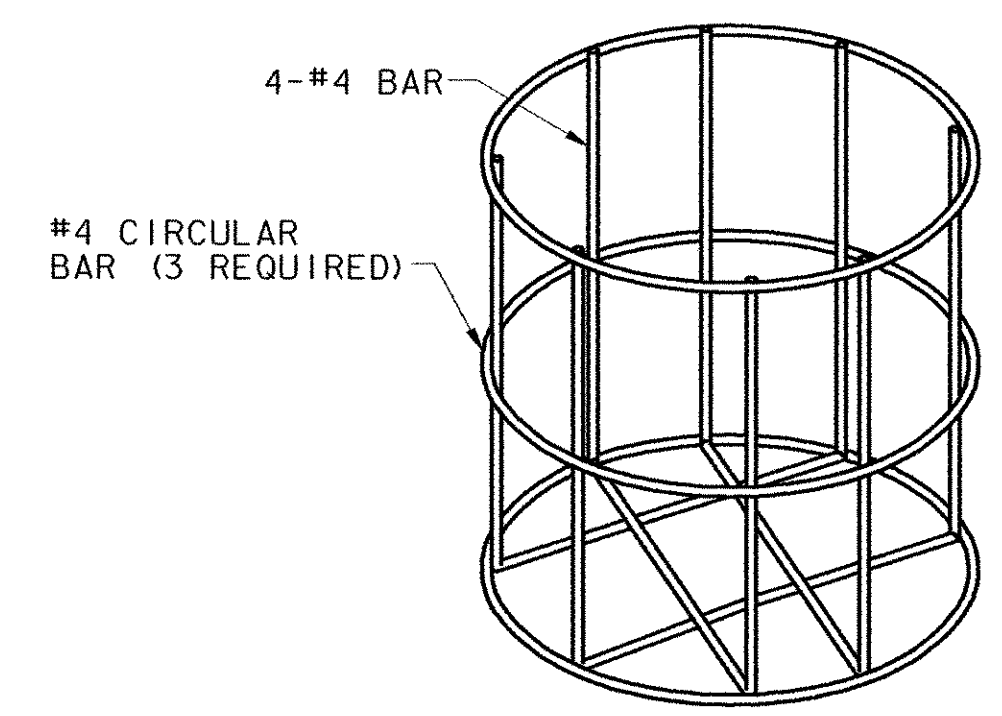
1. CONCRETE TO CONFORM TO VAOT SPECIFICATIONS SECTION 501, CLASS B, 3/4" MAX SIZE AGGREGATE.
2. PRIOR TO ASPHALT PAVING, COVER MUD PLATE WITH A SHINGLE OR ANOTHER THIN ARTICLE WHEN TACK COAT IS APPLIED PRIOR TO PAVING. BEFORE PAVING COMMENCES, REMOVE SHINGLE AND LIGHTLY WIPE DOWN MUD PLATE WITH VEGETABLE OIL.
3. TIGHTEN ALL BOLTS TO THE TORQUE SPECIFIED BY THE MANUFACTURER. DO NOT REUSE SHIPPING BOLTS TO INSTALL COVERS.
4. RUNWAY EDGE IN PAVEMENT LIGHTS TO CONFORM TO L-850 C, LOW PROFILE LIGHTS, AS MANUFACTURED BY HUGHEY & PHILIPS, WITH STAINLESS STEEL ADJUSTABLE RING.
5. THE COST OF THE 2" RIGID CONDUIT ENCASED IN CONCRETE TO BE INCLUDED IN THE BID PRICE FOR MIRLS (ITEM 864.10), BASE MOUNTED, IN PAVEMENT.



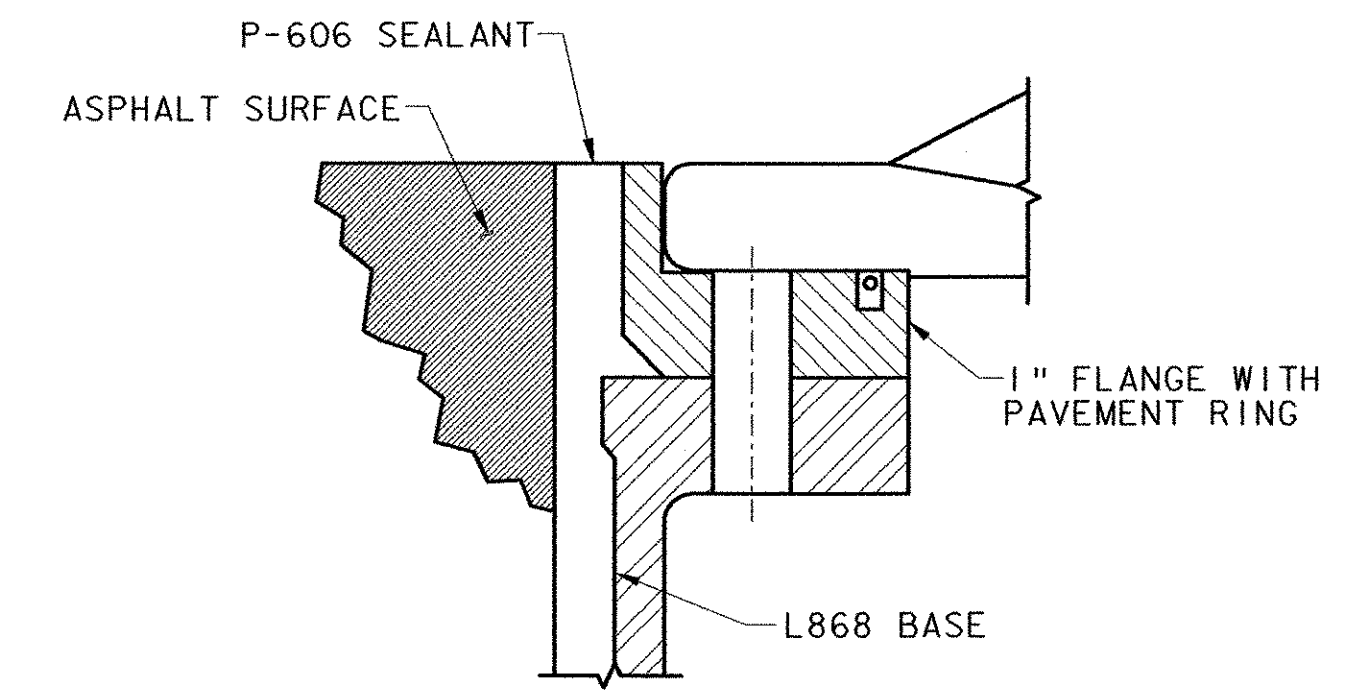
**IN-PAVEMENT LIGHT BASE
INSTALLATION - PLAN**
SCALE: NONE



SECTION B-B
SCALE: NONE



REINFORCING CAGE DETAIL
SCALE: NONE



DETAIL "A"
SCALE: NONE

**INSTALLATION OF IN-PAVEMENT LIGHT IN NEW PAVEMENT
LOW PROFILE - L850 C**

ITEM 864.10

REV.	DATE	DESCRIPTION

Job No. F20002046.00
File No. F20204600025

RUTLAND STATE AIRPORT
CLARENDON, VERMONT

TAXIWAY IMPROVEMENTS
AIRFIELD LIGHTING DETAILS

URS
1 NORTHWAY LN.
LATHAM, NEW YORK

Designed by: G.M.D.
Drawn by: M.C.M.
Checked by: L.M.M.
Approved by: G.W.D.

Scales: NTS
Date: FEB., 2003
Sheet 25 OF 40
Sheet No
25

P:\Civil\Sheet\0CT2002\F20204600025.dgn