

REV.	DATE	DESCRIPTION

Job No. F2020460023
File No. F2020460023

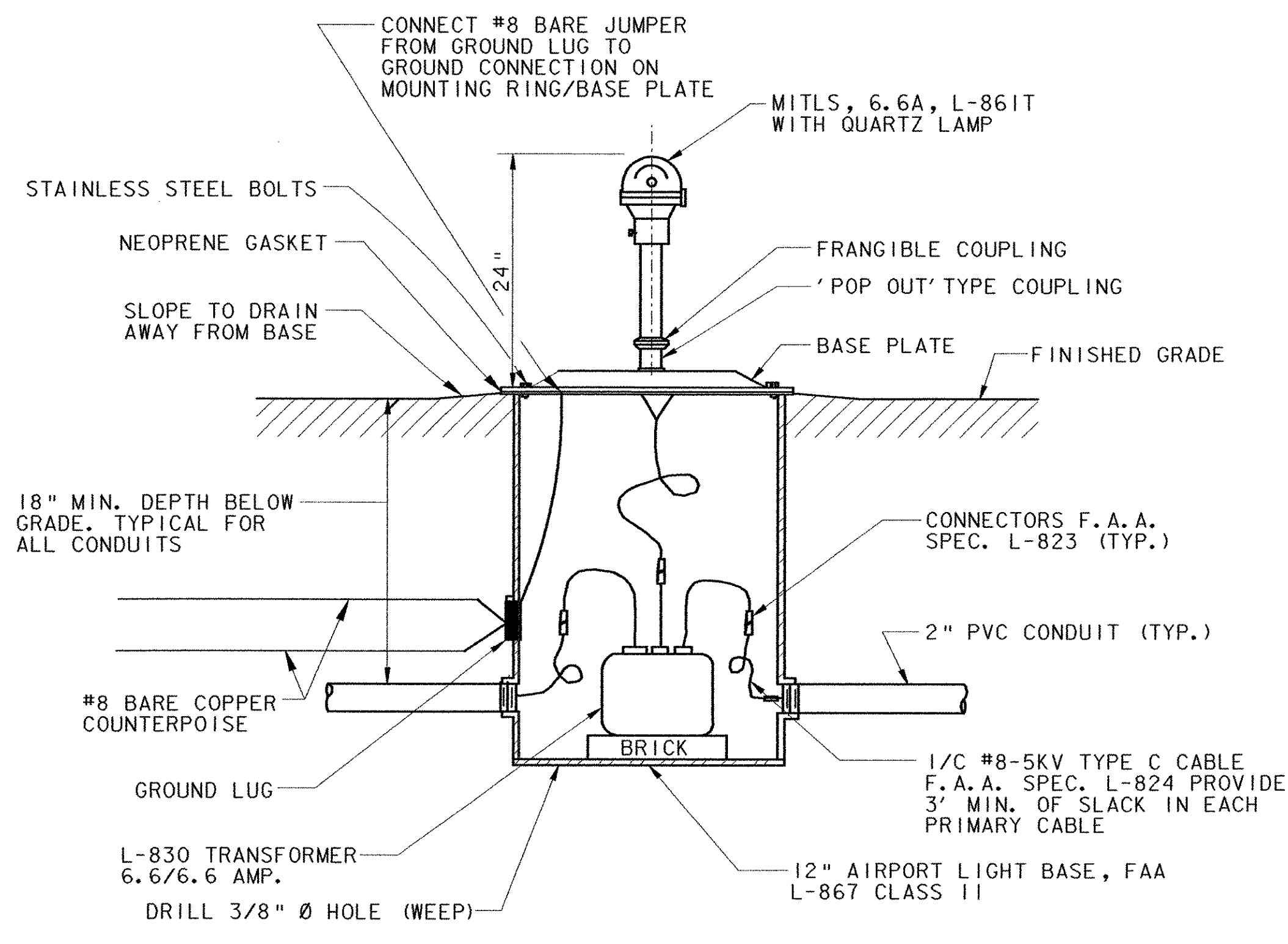
RUTLAND STATE AIRPORT
CLARENDON, VERMONT

TAXIWAY IMPROVEMENTS
AIRFIELD LIGHTING DETAILS

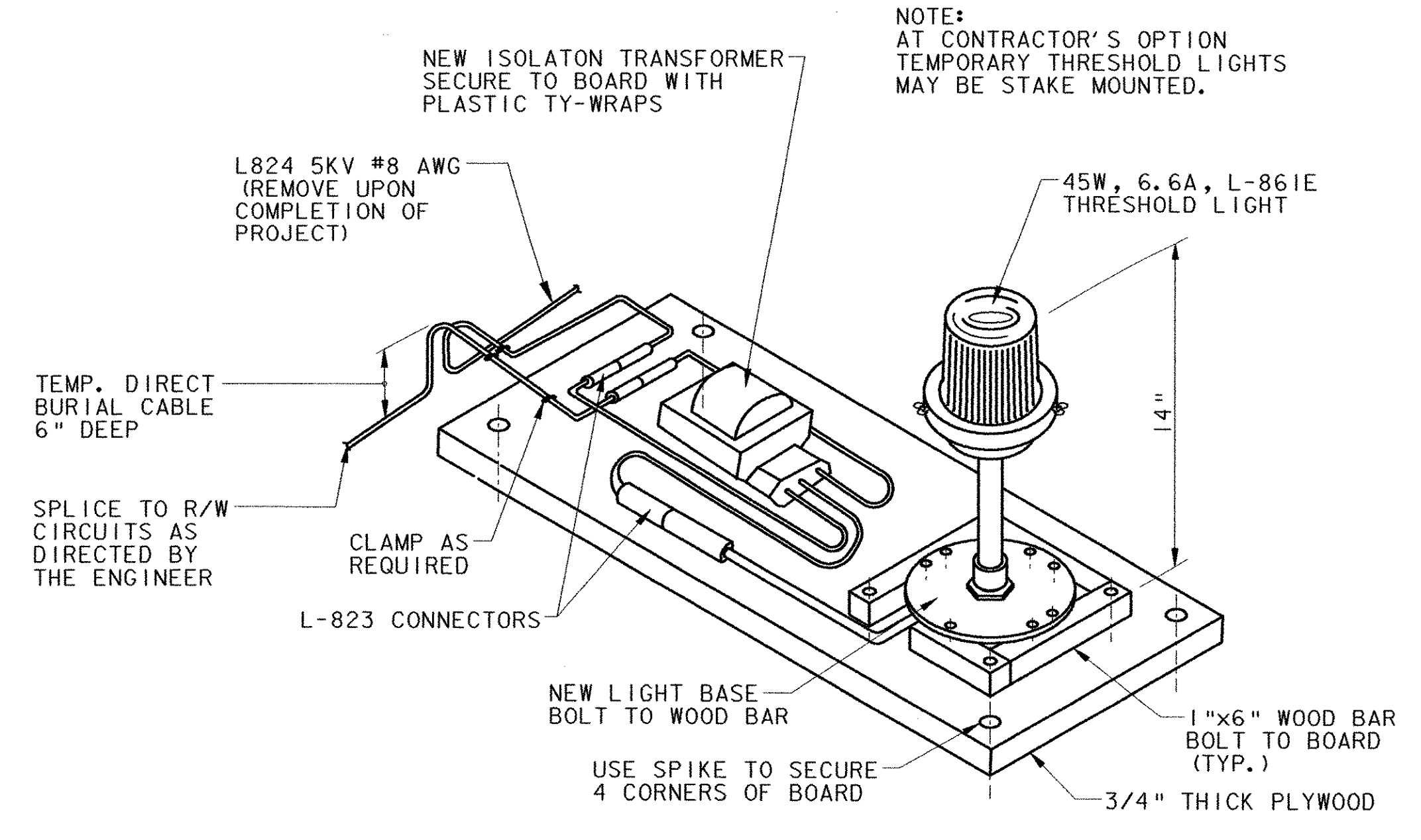
URS
1 NORTHWAY LN.
LATHAM, NEW YORK

Designed by: G.W.D.
Drawn by: M.C.M.
Checked by: L.M.M.
Approved by: G.W.D.

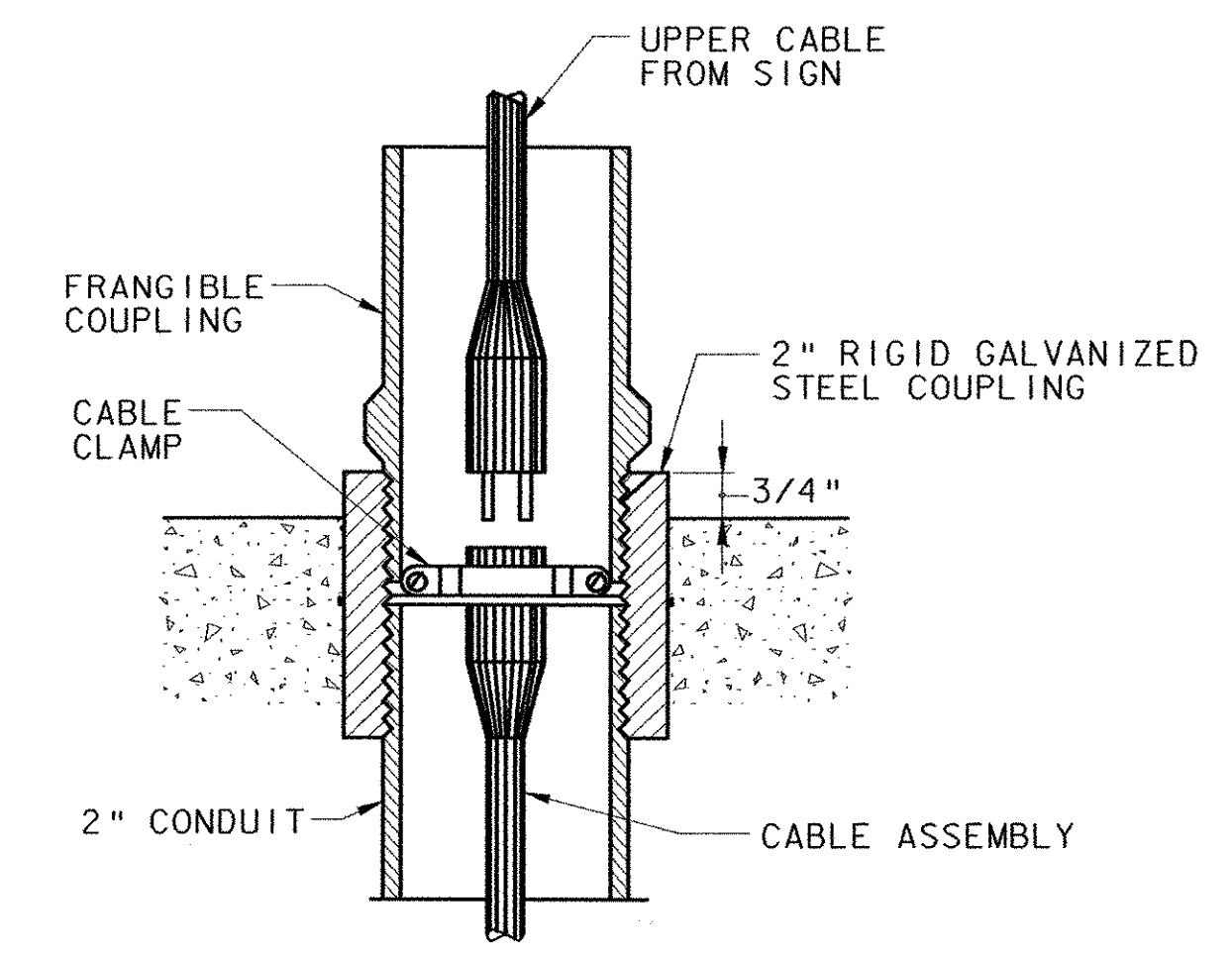
Scales: NTS
Date: FEB., 2003
Sheet 23 OF 40
Sheet No
23



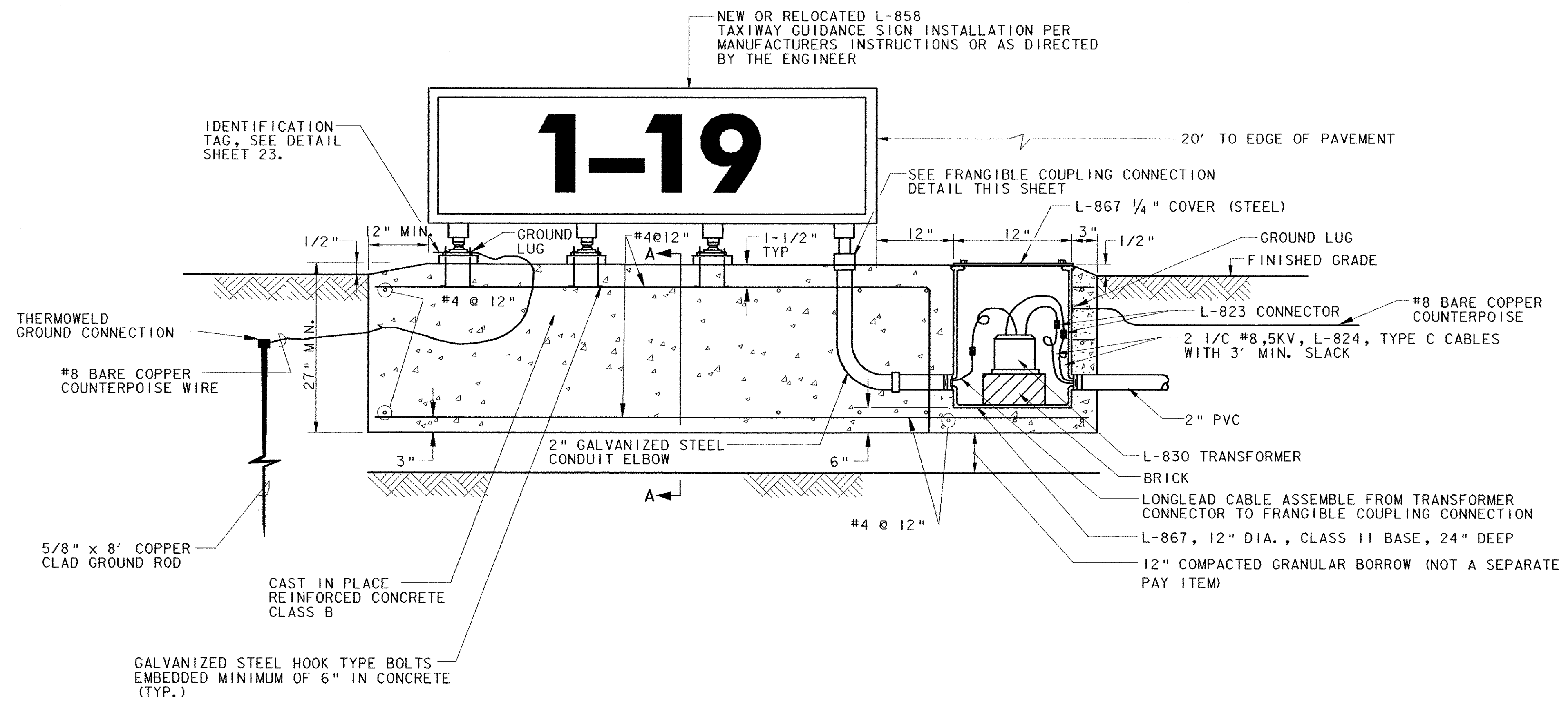
TYPICAL ELEVATED EDGE LIGHT (L-861T)
NOT TO SCALE



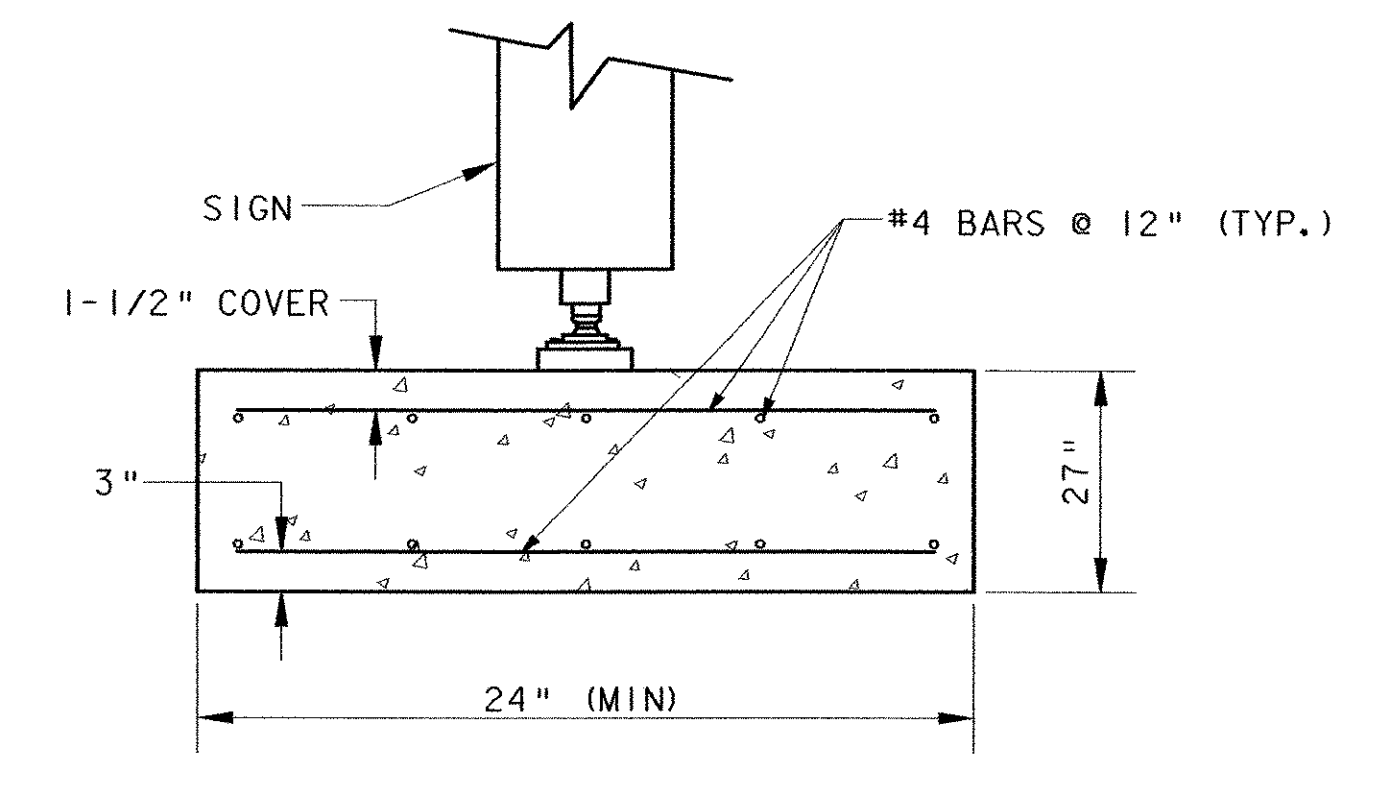
TEMPORARY THRESHOLD LIGHT
NOT TO SCALE
TO BE USED IN CONJUNCTION WITH ITEM L-100 TEMPORARY THRESHOLD, WHEN DIRECTED BY THE ENGINEER.



FRANGIBLE COUPLING CONNECTION DETAIL
NOT TO SCALE



L-858 TAXIWAY GUIDANCE SIGN
NOT TO SCALE



TAXIWAY GUIDANCE SIGN SECTION A-A
NOT TO SCALE

P:\CIVIL\Sheet\0202002\F2020460\de23.dgn