



REV.	DATE	DESCRIPTION

Job No. F200002046.00
File No. F2020460DE18

RUTLAND STATE AIRPORT
CLARENDON, VERMONT

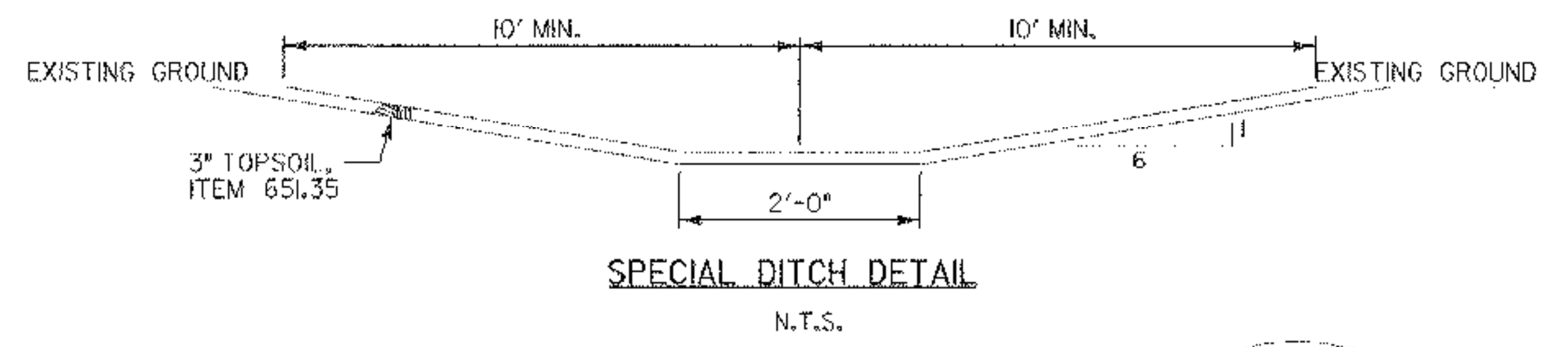
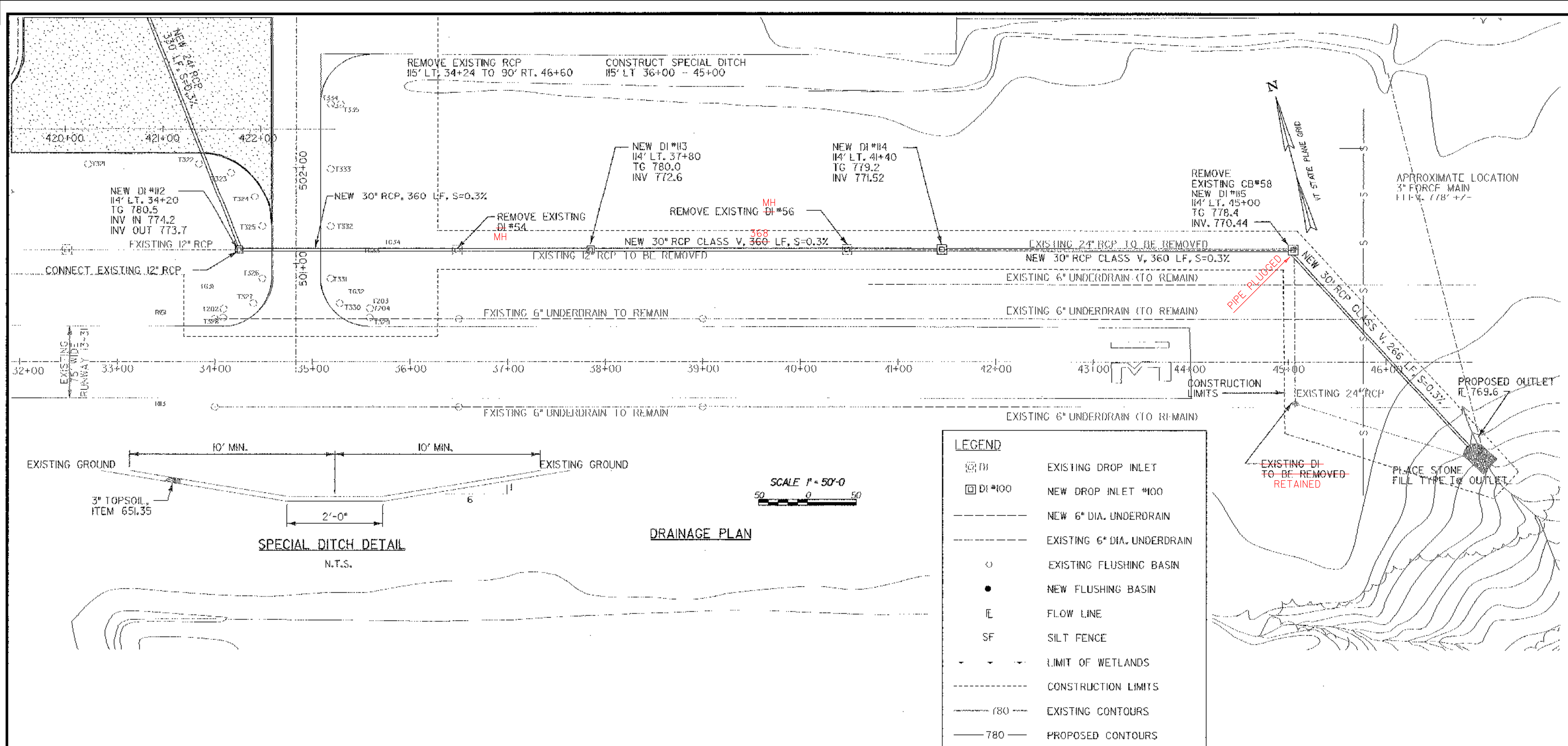
TAXIWAY IMPROVEMENTS
GRADING AND DRAINAGE PLAN

URS
1 NORTHWAY LN.
LATHAM, NEW YORK

Designed by: B.M.E.
Drawn by: M.C.M.
Checked by: M.K.C.
Approved by: G.M.D.

Scale: 1"=50'
Date: FEB., 2003
Sheet 15 OF 40

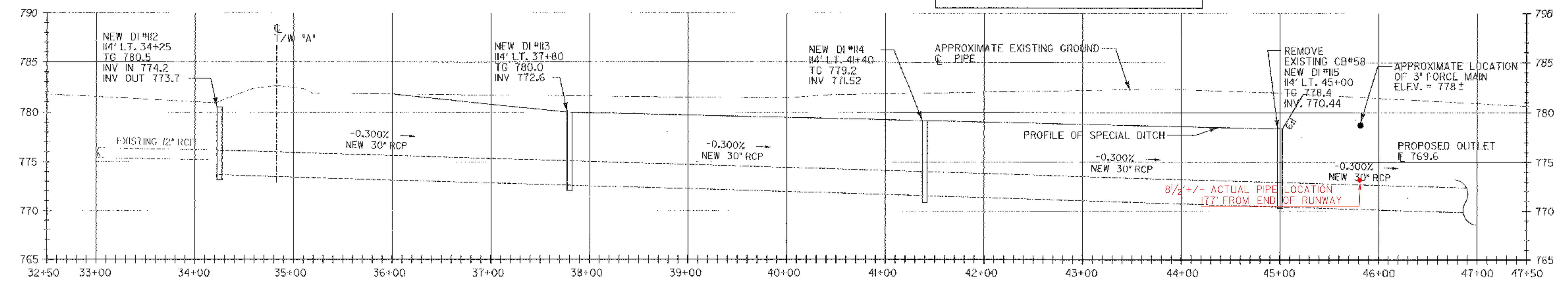
Sheet No. **16**



DRAINAGE PLAN
SCALE 1" = 50'-0"
50 0 50

LEGEND

- EXISTING DROP INLET
- NEW DROP INLET #100
- NEW 6" DIA. UNDERDRAIN
- EXISTING 6" DIA. UNDERDRAIN
- EXISTING FLUSHING BASIN
- NEW FLUSHING BASIN
- FLOW LINE
- SILT FENCE
- LIMIT OF WETLANDS
- CONSTRUCTION LIMITS
- EXISTING CONTOURS
- PROPOSED CONTOURS



DRAINAGE PROFILE
1" = 50' HORIZONTAL
1" = 5' VERTICAL