



Job No. F200002046.00
 File No. F2000460169

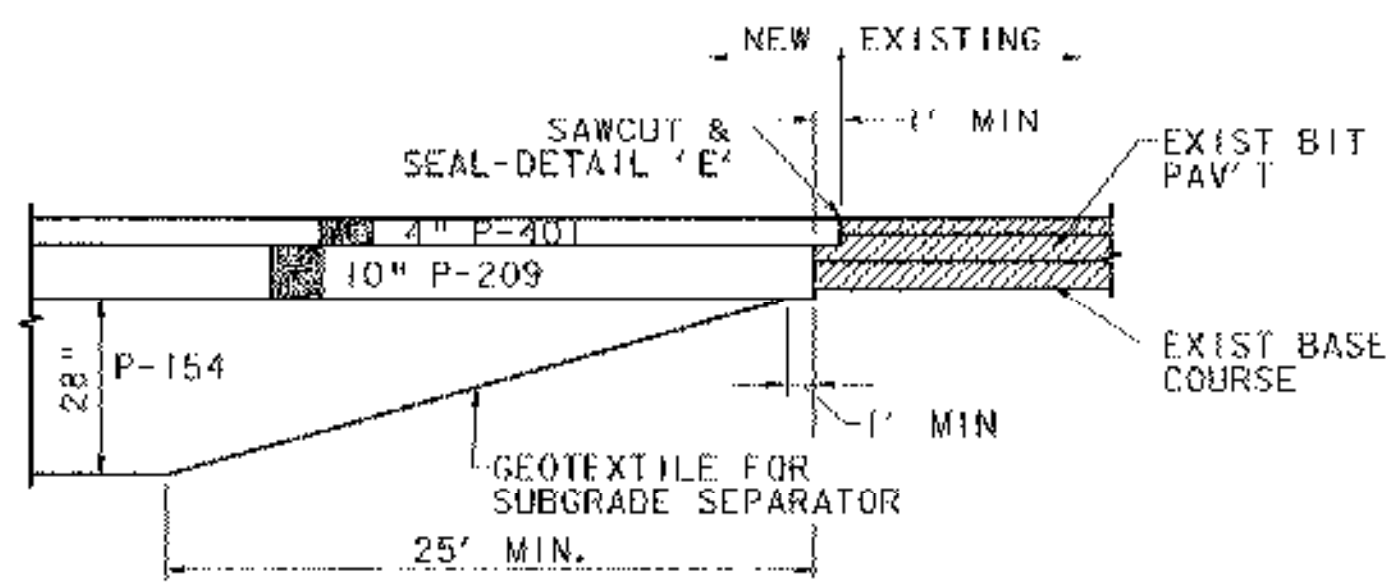
RUTLAND STATE AIRPORT
 CLARENDON, VERMONT
TAXIWAY IMPROVEMENTS
 PAVEMENT DETAILS

URS
 1 NORTHWAY LN.
 LATHAM, NEW YORK

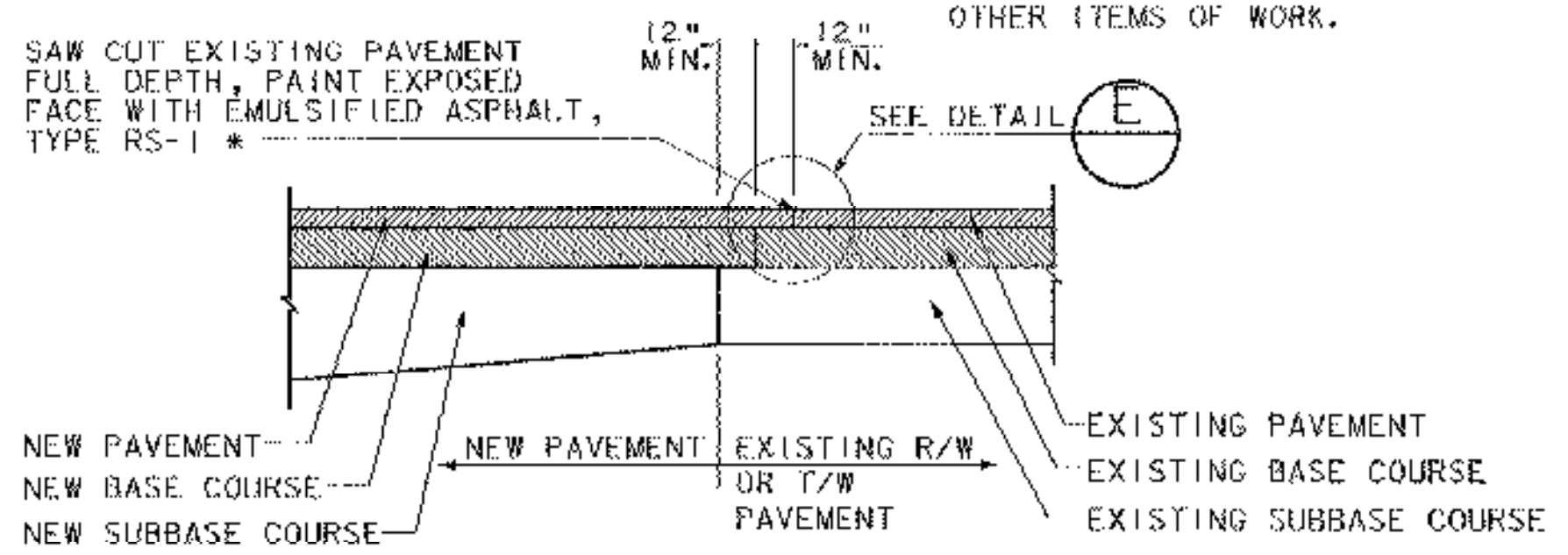
Designed by: G.M.B.
 Drawn by: M.M.
 Checked by: M.C.C.
 Approved by: G.W.B.

Scale: NTS
 Date: FEB., 2003
 Sheet 9 OF 40
 Sheet No
9

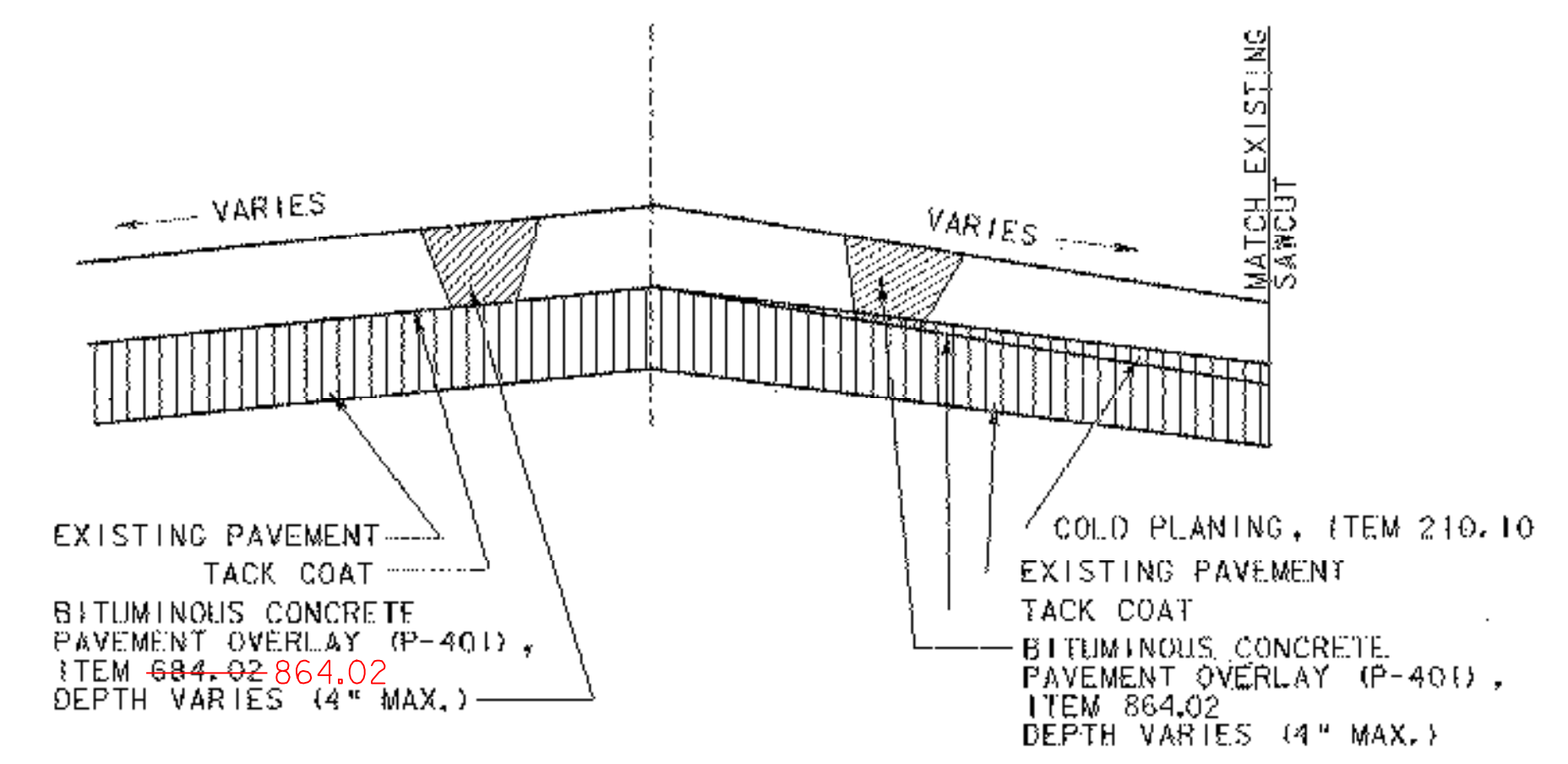
NOTE:
 *THE COST OF THE PAVEMENT SAW CUT AND TACK COAT ARE NOT A SEPARATE PAY ITEM. IT IS CONSIDERED AS INCIDENTAL TO THE OTHER ITEMS OF WORK.



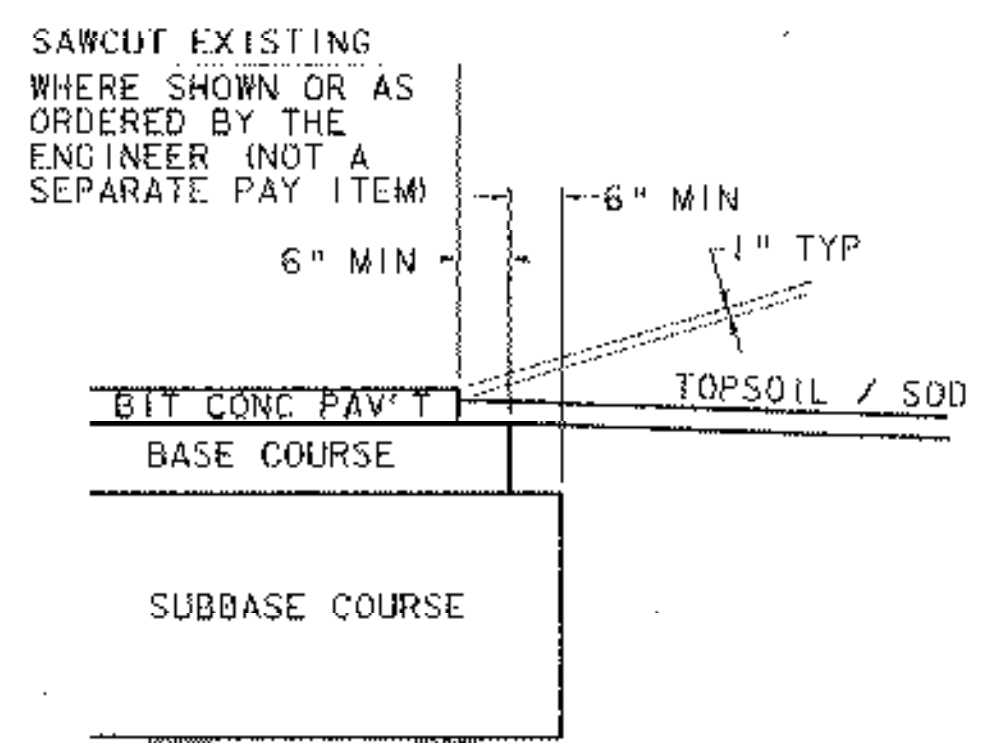
A PROPOSED SUBGRADE TRANSITION
 SCALE: NONE



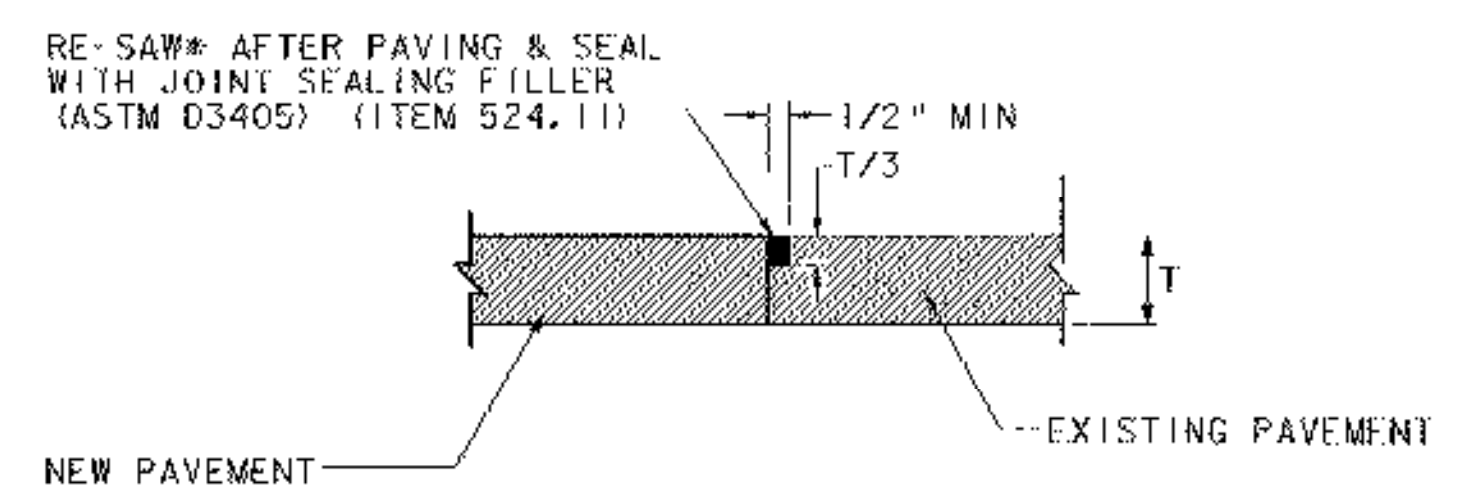
B BUTT JOINT DETAIL
 SCALE: NONE



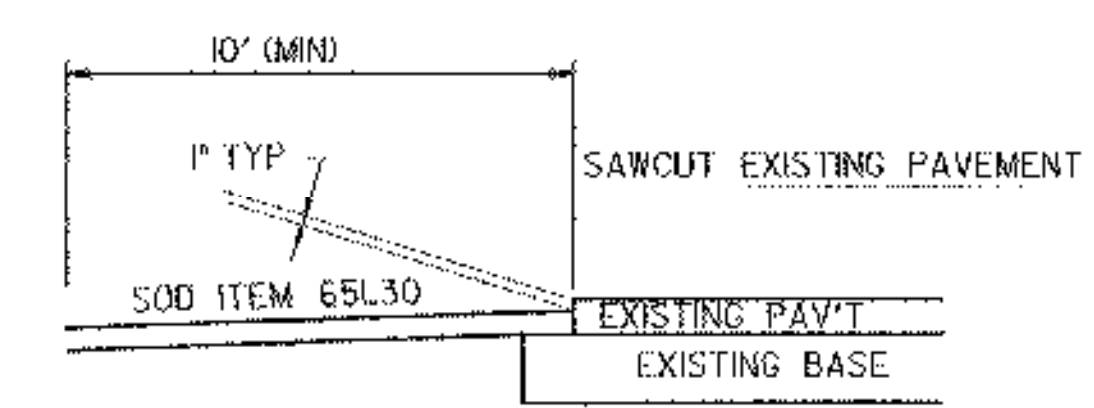
C TYPICAL OVERLAY SECTION
 SCALE: NONE



D PAVEMENT SECTION EDGE
 SCALE: NONE



E SAWCUT DETAIL
 SCALE: NONE



F SAW CUT - PAVEMENT EDGE
 SCALE: NONE